

Thermostatic Remote System Mains Adapter

For use with all Appliances fitted with Thermostatic Remote Handset

i THIS DOCUMENT MUST BE ATTACHED TO AND READ IN CONJUNCTION WITH THE INSTALLATION AND USER INSTRUCTIONS

To prevent excessive battery replacement following long periods of inactivity, Gazco provide a mains adapter to supply power to the appliance control box.

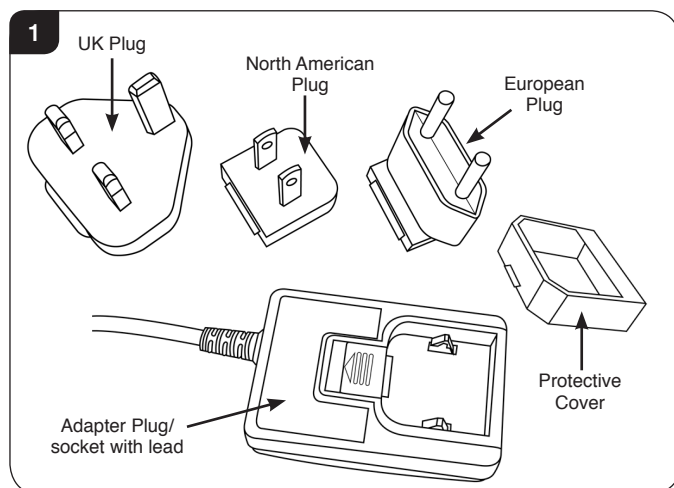
The instructions provided with this adapter detail the procedure for replacing the battery pack supplied with the appliance with a permanent power source.

The replacement detailed in these instructions must be carried out by a suitably qualified person having fully read the warnings and instructions contained in the installation manual.

Packing List

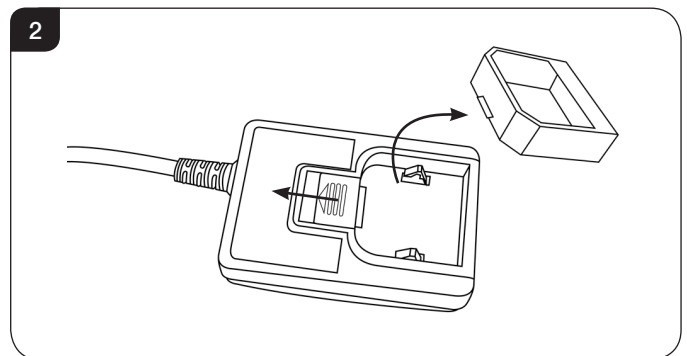
This kit comprises of:

- 1 x Fitting Instructions
 - 1 x Adapter Plug/ socket with lead
 - 1 x UK Plug
 - 1 x European Plug
 - 1 x North American Plug
- see Diagram 1.

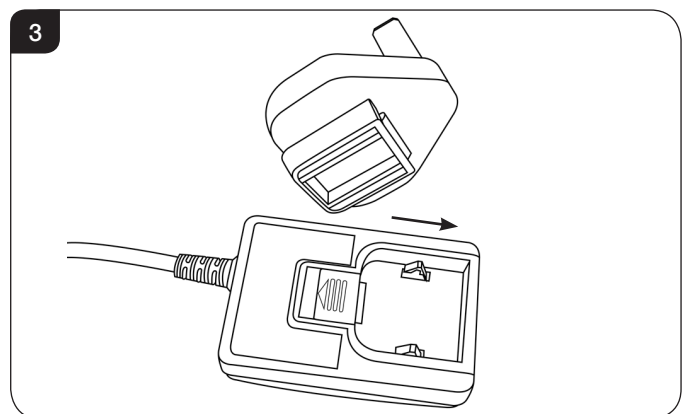


1. Adapter Installation

- 1.1 Remove the plug assembly from packaging.
- 1.2 Select the appropriate plug for the required country, see Diagram 1.
- 1.3 Slide back the catch and remove the plastic adapter cover, see Diagram 2.

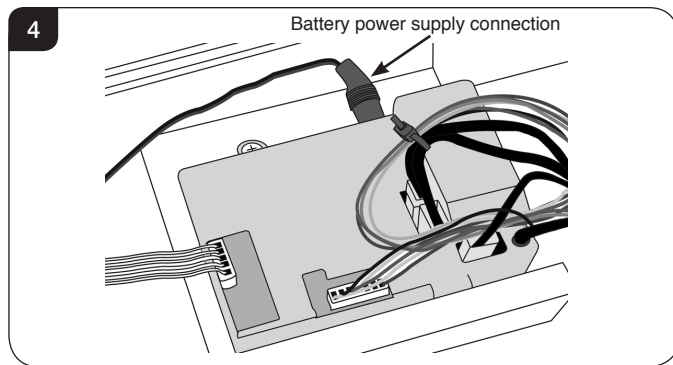


- 1.4 Slide back the catch and insert the required plug, ensuring that both tabs engage to hold the plug securely, see Diagram 3.



- 1.5 The adapter is supplied with a 1.5m cable. Ensure that the lead can reach the control box and be positioned in a setting that will ensure it will avoid contact with the appliance and the flue system. Take care to avoid areas of excessive heat.
- 1.6 Locate the control box on the appliance. Access to the control box is detailed in the accompanying installation instructions.

- 1.7 Disconnect the battery supply cable from the control box, see Diagram 4.



Secure the battery cable in the appliance so it may be used again in case of power failure.

- 1.8 Attach the main adapter to the control box and secure the cable.
Ensure no wires are trapped before replacing the internal components and decorative front, where applicable.
- 1.9 Connect the adapter socket to a plug socket.

Remove the batteries from the wall box/ touchpad battery holder in order to prevent damage occurring if long periods of inactivity cause leaks.

The batteries can be reinstalled in event of mains power failure. See the appliance User and Installation Instructions, User Section, Changing the Appliance Batteries.

Gazco Limited, Osprey Road, Sowton Industrial Estate, Exeter, Devon, England EX2 7JG
Technical Customer Services: (01392) 261950 Fax: (01392) 261951
E-mail: technicalservices@gazco.com

A member of the Stovax Group