



*Fire Your Imagination*

# Reflex 105

**Inset Convector Fire - Balanced Flue**  
with Harmony 10 Remote Control System



## Instructions for Use, Installation & Servicing

For use in GB & IE (Great Britain & Republic of Ireland).

### **IMPORTANT**

**THE OUTER CASING, FRONT AND GLASS PANEL BECOME EXTREMELY HOT DURING OPERATION AND WILL RESULT IN SERIOUS INJURY AND BURNS IF TOUCHED. IT IS THEREFORE RECOMMENDED THAT A FIREGUARD COMPLYING WITH BS 8423 (LATEST EDITION) IS USED IN THE PRESENCE OF YOUNG CHILDREN, THE ELDERLY OR INFIRM.**

For use with 230V 50Hz electricity supply only.

This product contains a heat resistant glass panel. This panel should be checked during Installation and at each servicing interval. If any damage is observed on the front face of the glass panel (scratches, scores, cracks or other surface defects), the glass panel must be replaced and the appliance must not be used until a replacement is installed. Under no circumstances should the appliance be used if any damage is observed, the glass panel is removed or broken.

It is essential that ALL of the screws that retain the glass frame are replaced and tightened correctly. Under no circumstances should the appliance be operated if any of these screws are loose or missing.

These Instructions must be left with the appliance for future reference and for consultation when servicing the appliance. Please make the customer aware of the correct operation of the appliance before leaving these instructions with them.

The commissioning sheet found on Page 3 of this Instruction manual must be completed by the Installer prior to leaving the premises.

**THIS APPLIANCE MUST BE EARTHED**

# Contents

## Reflex 105 - Balanced Flue

Covering the following models:

	Reflex 105
Nat Gas	191-199

<b>Appliance Commissioning Checklist</b> .....	<b>3</b>
<b>User Instructions</b> .....	<b>4</b>
<b>Installation Instructions</b> .....	<b>11</b>
Technical Specifications .....	11
Site Requirements .....	15
Installation .....	20
Commissioning .....	34
<b>Servicing Instructions</b> .....	<b>35</b>
Fault Finding .....	35
How to Replace Parts .....	38
Basic Spare Parts List .....	49
Service Records .....	51
Information Requirement - Gas Heaters .....	52



If you have purchased your stove or fire from an authorised stockist within our Expert Retailer Network, then automatically your product will carry a 2 year warranty as standard. The 2 year warranty can be further extended to a total warranty period of 5 years by registering your Gazco Stove or Fireplace within one month of the latter of the purchase date or installation date. Accordingly, the start date for the warranty period is the date of purchase. During the registration process, the Expert Retailer details will be required for your Extended Warranty to be activated. Any product purchased outside of our Expert Retailer Network will carry a standard 12 month, non-extendable warranty.

It is a condition of the Extended Warranty that the installation complies with the relevant Building Regulations and is carried out by a suitably trained and qualified individual (GasSafe in the UK or equivalent in other countries) with the certificate of installation and the Commissioning Report on Page 3 completed and retained by the end user.

Full terms and conditions are detailed in the Warranty Statement on the Gazco website [www.gazco.com](http://www.gazco.com). In the event of any conflict of information the wording on the website shall prevail.

**Important Note:** Should any problems be experienced with your product, claims must first be submitted to the Expert Retailer where the appliance was purchased from who will offer immediate assistance or contact Gazco on your behalf.



**It is a requirement of the Building Regulations 2010 that the installation of this appliance is notified to the Local Authority. It is the responsibility of the GasSafe registered installer to carry out this notification to the Local Authority via the GasSafe register Competent Persons Scheme in England and Wales (different rules apply in Scotland and Northern Ireland).**

**When the installation has been notified, GasSafe will send a Building Regulations Compliance Certificate to you containing details of the work completed. Please ensure that the person responsible for the installation of this appliance completes this notification and records it in the Appliance Commissioning Checklist on page 3.**

**IT IS YOUR RESPONSIBILITY TO COMPLY WITH THE BUILDING REGULATIONS AND BE ABLE TO PRODUCE THIS CERTIFICATE SHOULD IT BE REQUIRED IN THE FUTURE.**

# Appliance Commissioning Checklist

To assist us in any guarantee claim please complete the following information:-

## IMPORTANT NOTICE

Explain the operation of the appliance to the end user, hand the completed instructions to them for safe keeping, as the information will be required when making any guaranteed claims.

FLUE CHECK	PASS	FAIL
1. Flue Is correct for appliance		
2. Flue flow Test N/A		
3. Spillage Test N/A		
GAS CHECK		
1. Gas soundness & let by test		
2. Standing gas pressure	mb	
3. Appliance working pressure (on High Setting) Minimum Pressure Requirement: NG - 16.5mbar NB All other gas appliances must be operating on full	mb	
4. Gas rate	m <sup>3</sup> /h	
5. Does Ventilation meet appliance requirements N/A		
SAFETY CHECK		
1. Check soundness of the Thermocouple connections - including tightness and lead integrity		
2. Glass checked to ensure no damage, scratches, scores or cracks		
3. Glass frame secured correctly and all screws replaced		
BUILDING CONTROL NOTIFICATION	YES	NO
1. Installer notified GasSafe/Local Authority of installation via Competent Persons Scheme?		

## RETAILER AND INSTALLER INFORMATION

<b>Retailer</b> .....	<b>Installation Company</b> .....
.....	.....
.....	.....
<b>Contact No.</b> .....	<b>Engineer</b> .....
<b>Date of Purchase</b> .....	<b>Contact No.</b> .....
<b>Model No.</b> .....	<b>GasSafe Reg No.</b> .....
<b>Serial No.</b> .....	<b>Date of Installation</b> .....
<b>Gas Type</b> .....	

# User Instructions

## Welcome

*Congratulations on purchasing your Reflex fire, if installed correctly Gazco hope it will give you many years of warmth and pleasure for which it was designed.*

*The purpose of this manual is to familiarise you with your appliance, and give guidelines for its installation, operation and maintenance. If, after reading, you need further information, please do not hesitate to contact your Gazco retailer.*

## WARNING



**In the event of a gas escape or if you can smell gas, please take the following steps:**

- Immediately turn off the gas supply at the meter/emergency control valve
- Extinguish all sources of ignition
- Do not smoke
- Do not operate any electrical light or power switches (On or Off)
- Ventilate the building(s) by opening doors and windows
- Ensure access to the premises can be made

**Please report the incident immediately to the National Gas Emergency Service Call Centre on 0800 111 999 (England, Scotland and Wales), 0800 002 001 (N. Ireland) or in the case of LPG, the gas supplier whose details can be found on the bulk storage vessel or cylinder.**

**The gas supply must not be used until remedial action has been taken to correct the defect and the installation has been recommissioned by a competent person.**

## 1. General

- 1.1 Installation and servicing must only be carried out by a competent person whose name appears on the Gas Safe register. To ensure the engineer is registered with Gas Safe they should possess an ID Card carrying the following logo:



- 1.2 In all correspondence, please quote the appliance type and serial number, which can be found on the data badge located on a plate under the Main Burner.

- 1.3 Do not place curtains above the appliance: You must have 300mm clearance between the appliance and any curtains at either side.
- 1.4 No furnishings or other objects should be placed within 1 metre of the front of the appliance.
- 1.5 If a shelf is fitted, a distance of 150mm above the appliance is required.
- 1.6 If any cracks appear in the glass panel do not use the appliance until the panel has been replaced.
- 1.7 If, for any reason, the flue has to be removed from the appliance, the seals must be replaced in the inner spigot.
- 1.8 Do not obstruct the flue terminal in any way, i.e. by planting flowers, trees, shrubs etc. in the near vicinity, or by leaning objects against the terminal guard.
- 1.9 Do not put any objects on the terminal guard; it will lose its shape.
- 1.10 If you use a garden sprinkler, do not let quantities of water into the flue terminal.
- 1.11 When the appliance has been installed the position of the plug must be accessible.
- 1.12 Where the electricity supply cable has to pass through a **fire place, stone surround etc. ensure suitable rubber bushes are fitted at possible wear points.**
- 1.13 If the electricity supply cable is damaged do not use the appliance until it has been replaced. For safety reasons the replacement has to be carried out by Gazco, a Gazco service agent or a similarly competent electrician.
- 1.14 Repairs of electrical appliances must only be performed by an electrical engineer. Should the appliance fail to operate, or in case of any damage, please contact the retailer from whom the appliance was purchased.
- 1.15 This product is guaranteed for 5 years from the date of installation, as set out in the terms and conditions of sale between Gazco and your local Gazco retailer. Please consult with your local Gazco retailer if you have any questions. In all correspondence always quote the Model Number and Serial Number.

- 1.16 **This appliance is not intended to be used by persons under the age of 12, persons with reduced physical, sensory or mental capabilities or persons with lack of experience and knowledge in the safe operation of the appliance.**

The appliance may be operated by persons above the age of 12 provided they have been instructed in the safe use of the appliance and that they understand the hazards involved. Persons above the age of 12 may also operate the appliance under the supervision of a responsible adult. Cleaning and Maintenance of the appliance must be undertaken by a suitably qualified adult.

**CHILDREN MUST BE SUPERVISED TO ENSURE THEY DO NOT PLAY WITH THE APPLIANCE.**



**IMPORTANT: NEVER position a television or screen above this appliance.**

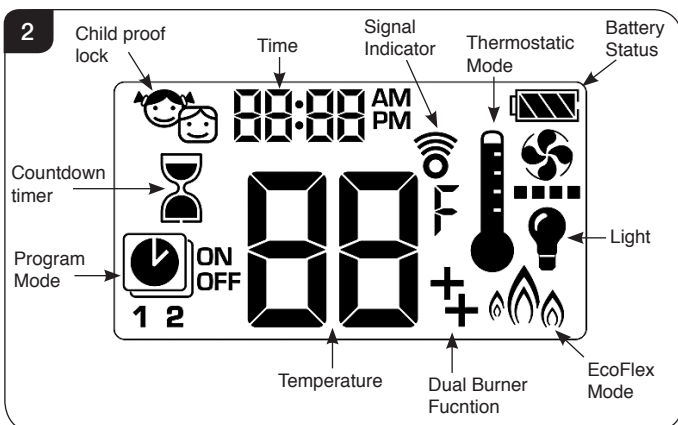
# User Instructions

## 2. Operating the Appliance

The appliance is operated by thermostatic and programmable remote control.



Via the remote it is possible to control the following features:



### Before operating

Make sure manual knob on the gas valve is in the ON position by turning fully clockwise to the position.

### Turning the appliance On

2.1 The handset controls the appliance from pilot ignition through to shut down.

To turn the fire on press the button until two short signals and a series of blinking series of lines confirm the start of the ignition sequence.

**The pilot will ignite and the remote is now in Manual Mode:**



**IMPORTANT: YELLOW FLAMES TYPICALLY APPEAR WHEN THE APPLIANCE HAS REACHED NORMAL OPERATING TEMPERATURE. THIS CAN TAKE UP TO 30 MINUTES.**



**WARNING: IF THE APPLIANCE FAILS TO LIGHT OR BECOMES EXTINGUISHED IN USE, WAIT 3 MINUTES BEFORE ATTEMPTING TO RELIGHT.**

2.2 There are 4 different modes available for controlling and operating the appliance:

1. Manual Mode
2. Thermostatic Mode (Automatic)
3. Program Mode (Automatic)
4. EcoFlex Mode (Automatic)

2.3 In **MANUAL MODE** you can:

- turn on the main burner using the button.
- regulate the flame from high to low and back.
- turn off the burner leaving just the pilot burning.

In **THERMOSTATIC MODE (Automatic)** you can:

- set the room temperature so the thermostat in the remote automatically maintains that temperature.

In **PROGRAM MODE (Automatic)** the fire:

- turns on and off according to the set time periods.
- automatically regulates the room temperature during the set periods.

In **ECOFLEX MODE (Automatic)** the fire:

- modulates the flame height between high and low in response to room temperature. One cycle lasts for 20 minutes.



**NOTE: When operating the fire in Thermostatic or Program mode, the pilot remains lit and the fire then automatically switches on to bring the room to the set temperature whether or not you are in the room.**

**NEVER LEAVE ANY COMBUSTIBLE MATERIALS WITHIN 1 METRE OF THE FRONT OF THE APPLIANCE.**

### Turning the appliance Off (Standby)

2.4 Press and hold the button to turn the appliance off.

**NOTE:** There is a 5 second delay before the next ignition is possible.

### Manual Mode

2.5 To turn the fire on press the button until two short signals and a series of blinking series of lines confirm the start of the ignition sequence.


**Standby By (Pilot Flame) Mode:**

Press and hold the button to set the appliance to pilot flame only.

**FOR SAFETY, YOU MUST WAIT 30 SECONDS BEFORE LIGHTING THE FIRE AGAIN.**

# User Instructions

## Increasing the Flame Height:


To increase flame height press and hold  button.

## Decreasing the Flame Height:

To decrease flame height press or to set the appliance to pilot flame and hold the  button.



**i** **NOTE: While pressing a button a symbol indicating transmission appears on the display. The receiver confirms transmission with a sound signal.**


## Thermostatic Mode (Automatic)

2.6 To select the Thermostatic mode press the  button. The preset temperature will show briefly then the current room temperature will be displayed.

### Setting the temperature:


Press and hold the  button until the temperature display flashes.

Adjust the temperature by pressing the  or  button.


Press the  button to confirm the temperature.


**i** **NOTE: If you set a temperature that is beneath the current room temperature, the fire automatically switches to PILOT (Standby).**

### Exiting Thermostatic Mode:


Press the  button to exit Thermostatic mode.

Press the  or  button to enter Manual Mode.

Press the  button to enter Program Mode.

Press the  button to enter EcoFlex Mode.



## Program Mode (Automatic)



2.7 To select the Program mode press the  button. The set temperature for the On time is the one set in Thermostatic Mode. Changing the thermostat temperature changes the temperature in Program mode.



### Default Settings


The On time (Thermostatic) Temperature is 21°C (70°F).  
The Off time Temperature is '--' (Pilot flame only).

### Temperature Settings

Press the  button and hold until the  display flashes ON and set the temperature (See Thermostatic Mode) is displayed.



Press the  button or wait until  OFF is displayed and the temperature flashes.

Adjust the temperature by pressing the  or  button.

Press the  button to confirm the temperature.

NOTE: The On (Thermostatic) and Off set temperature is the same for each day.


### Day Setting:



ALL Flashes. Press  or  button to choose between ALL, SA,SU, 1, 2, 3, 4, 5, 6, 7.



Press the  button to confirm.



### ALL Selected

#### ON TIME SETTING (PROGRAM 1):

, 1 ON displayed, ALL is displayed shortly and **hour** flashes.


Select the **hour** by pressing the  or  button.



Press the  button to confirm. , 1 ON displayed, ALL is displayed shortly and **minutes** flashes.



Select the **minutes** by pressing the  or  button.

Press the  button to confirm.

#### OFF TIME SETTING (PROGRAM 1):

, 1 OFF displayed, ALL is displayed shortly and **hour** flashes.

Select the **hour** by pressing the  or  button.

Press the  button to confirm. , 1 OFF displayed, ALL is displayed shortly and **minutes** flashes.

Select the **minutes** by pressing the  or  button.

Press the  button to confirm.

**i** **NOTE: either continue to PROGRAM 2 and set on and off times or stop programming at this point and PROGRAM 2 remains deactivated.**

**PROGRAM 1 and PROGRAM 2 use the same On (Thermostatic) and Off temperatures for ALL, SA:SU and Daily Timer (1, 2, 3, 4, 5, 6, 7). Once a new On (Thermostatic) and/or Off temperature has been set, that temperature becomes the new default setting.**

**If ALL, SA:SU or Daily Timer are programmed for PROGRAM 1 and PROGRAM 2 On and Off times these become the new default times. The batteries must be removed to clear PROGRAM 1 and 2 On and Off times and temperatures.**

### SA:SU or Daily (1, 2, 3, 4, 5, 6, 7) selected

Set On and Off time using the same procedure as 'ALL Selected' (above).

SA:SU: Set On and Off time for both Saturday and Sunday.


Daily Timer: Unique On and Off times might be set for a single day of the week for multiple days of the week or for every day of the week.


Wait to finish setting.

# User Instructions

## Exiting Program Mode:



Press the ,  or  button to enter Manual Mode.

Press the  button to enter Thermostatic mode.



Press the  button to enter EcoFlex Mode.

## EcoFlex Mode

### Turning the EcoFlex Mode on.


Press the  button to enter EcoFlex Mode.  is displayed.

### Turning the EcoFlex Mode off.


Press the  button to exit EcoFlex Mode.  will disappear.

## Designated High and Low fires

**i** **NOTE: Backlight must be on for high and low fire double click operation.**

To go to Low fire, double click the  button. LO is displayed.

Flame goes to high fire first before going to Low fire.

To go to Hi fire, double click the  button. HI is displayed.

## Dual Burner Function



Upon ignition Burner 1 is on and Burner 2 is in the last setting. Both sides can be activated or controlled using the Dual Burner Function.

Press and hold the  button to enter Dual Burner Function and turn on Burner 2.  is displayed.

Press and hold the  button to exit Dual Burner Function leaving only Burner 1 in operation.  will disappear.



## Light/Dimmer Operation



### Turning the light on.

Press the  button to operate.  is displayed.

The lights on at preset level.



### SETTING:

Press the  button and hold until  is flashing.

To adjust the lighting between 20 % and 100% press the  or  button.

To confirm setting either press the  button or wait ( is displayed).

### Turning the light off.



Press the  button to turn off.  disappears.

**i** **NOTE: The light works independently of the Pilot flame. If you want the light on but no flame press the button to operate.**



## Countdown Timer


### Turning the Timer on.

Press and hold the  button until  displayed, and hour **flashes**.

To select the **hour** press the  or  button.

To confirm press the  button. **Minutes** flash.

To select the **minutes** press the  or  button.

To confirm press the  button or wait.



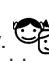
### Turning the Timer off.

Press and hold the  button,  and countdown display will disappear.

**i** **At the end of countdown time period, the appliance turns off. The Countdown Timer only works in Manual, Thermostatic and EcoFlex modes. Maximum countdown time is 9 hours and 50 minutes.**


## Child Proof Lock

### Turning the Child Lock on.

Press the  and  buttons simultaneously.  will be displayed and the handset is rendered inoperable except for the Off function.



### Turning the Child Lock off.

Press the  and  buttons simultaneously to deactivate.

 will disappear.

## Setting the time

Press the  and  buttons simultaneously. **Day** flashes.



Press the  or  button to select a number that corresponds with a day of the week (eg 1 = Monday, 2 = Tuesday, 3 = Wednesday, 4 = Thursday, 5 = Friday, 6 = Saturday, 7 = Sunday).

Press the  and  buttons simultaneously. **Hour** flashes.

# User Instructions



To select hour press the  or  button.

Press the  and  buttons simultaneously. **Minutes** flash.

To select minutes press the  or  button.

To confirm press the  and  buttons simultaneously or wait.

## Setting Fahrenheit or Celsius

To change between °C and °F press  and  buttons simultaneously.

**i** **NOTE: Choosing °F results in a 12 hour clock. Choosing °C results in a 24 hour clock.**

## Troubleshooting



**IMPORTANT:** In the unlikely event that the handset fails to communicate correctly with the appliance it may be necessary to turn off the gas supply at the isolation valve until any problems can be resolved.

The gas meter and isolation valve can be located outside in a meter box, under the stairs, beneath the kitchen sink or in the garage. Whilst this list is not exhaustive, it is important to be able to identify the location of the valve in case of any gas emergency.

To turn off the gas supply, simply turn the handle so the lever is at 90 degrees to the upright gas pipe.

If you smell gas, open doors and windows and never operate any electrical switches. Immediately call the Gas Emergency Services on 0800 111 999.

## MyFire Wi-Fi kit

- 2.8 This appliance can be fitted with an optional Wi-Fi kit which can allow operation from a tablet or smart device, Gazco part No. 999-055. Contact your Gazco retailer for more information.

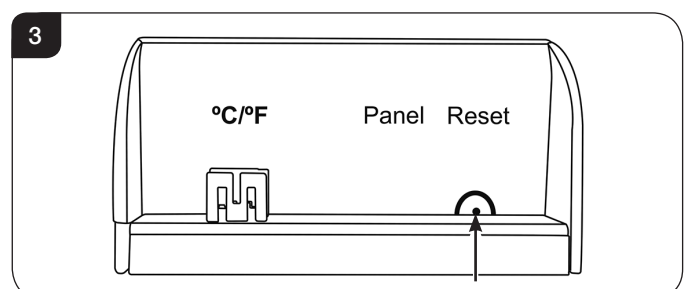
## MyFire Wi-Fi Troubleshooting

- 2.9 The MyFire Wi-Fi box must be wired according to the MyFire set up diagram and connected to the receiver, which is in turn connected to the mains power.
- Ensure the device is running the most up to date operating system as older models may not be compatible with the MyFire App.
- After 30 seconds the MyFire Box goes into Access Point Mode (Green LED flashes). See MyFire App instructions supplied and configure the router.
- 2.10 The following things can affect the Wi-Fi signal on the appliance:
- Multiple users on the same Wi-Fi channel may interfere with the data transfer. Press the reset button on the MyFire Wi-Fi box for 1 second to change the current channel.
  - If the MyFire Wi-Fi box is not connected to the receiver or is not used it will leave Access Point Mode after 24 hours.
  - If there are multiple fireplaces in the household using MyFire Wi-Fi boxes there must be a minimum of 600mm between them to avoid interference.
  - If there are any changes to the home network then the MyFire Wi-Fi set up must be repeated.

Quick Reference Table - for LED.

LED Indicator for MyFire Wi-Fi box			
Label	LED		Status
Power	Blue	On	Power On
		Off	Power Off
WLAN	Green	On	Connected to home network (Wi-Fi Router)
		Off	Not connected to home network (Wi-Fi Router)
		Flashing	MyFire Wi-Fi Box in Access Point Mode
Receiver	Blue	On	Receiver connected
		Off	No receiver connected or connection lost
All LEDs		Flashing	Internal Configuration

- 2.11 It may be necessary to reset the MyFire Wi-Fi box using a paperclip or similar, see Diagram 3. The table below shows the length of time required for each reset and the confirmation signals.





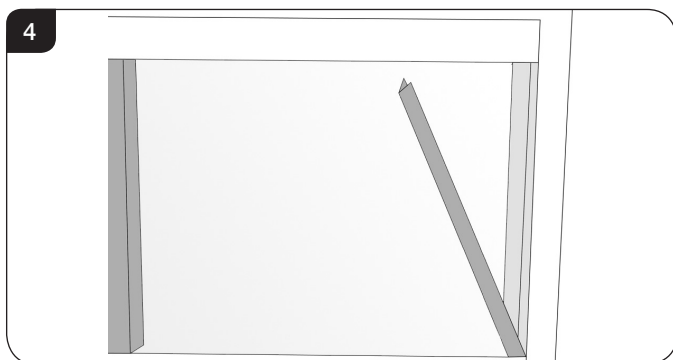
# User Instructions

Press Reset Button	LED Status Blue Power LED	Function
1 Sec	Continuously flashes every ½ second	Activates Access Point Mode for 10mins (connect MyFire Wi-Fi module to home network). Simultaneously the Wi-Fi channel changes.
5 Secs	Two rapid flashes every 1 second	System Reset.
10 Secs	Flashes every 100 milliseconds (Continuous)	Restore factory firmware (MyFire Wi-Fi module will set to default after reboot); takes up to 2 minutes.
20 Secs	Flashes every 50 milliseconds (Continuous)	Restores factory firmware and erases all data not locked. (MyFire Wi-Fi module will set to default after reboot); takes up to 2 minutes.

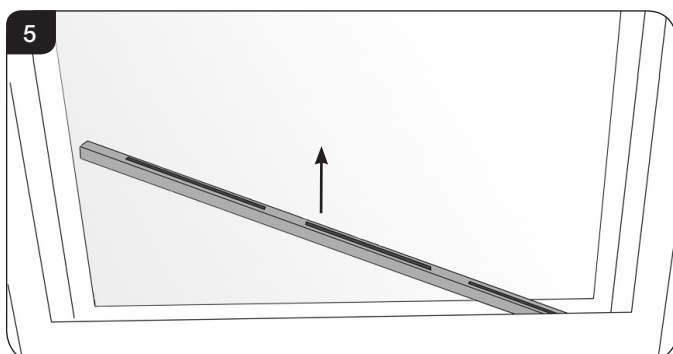
## 3. Cleaning the Appliance

From time to time it may be necessary to remove build up of debris and soot from the logs.

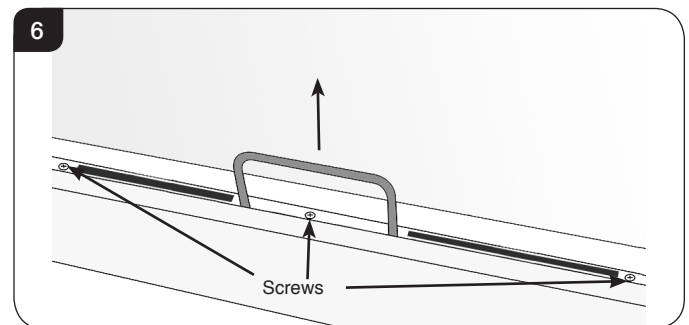
- 3.1 Make sure the appliance and surrounds are cool before cleaning.
- 3.2 Remove the glass frame by removing the 2 side trims, see Diagram 4. These are held on by magnets.



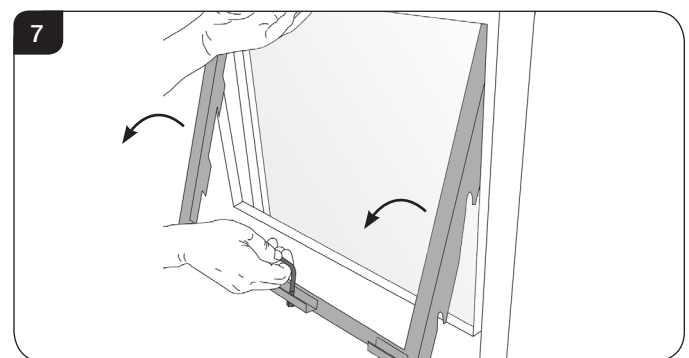
- 3.3 Lift out the bottom slotted trim, see Diagram 5.



- 3.4 Remove the 3 screws at the base of the door, see Diagram 6.

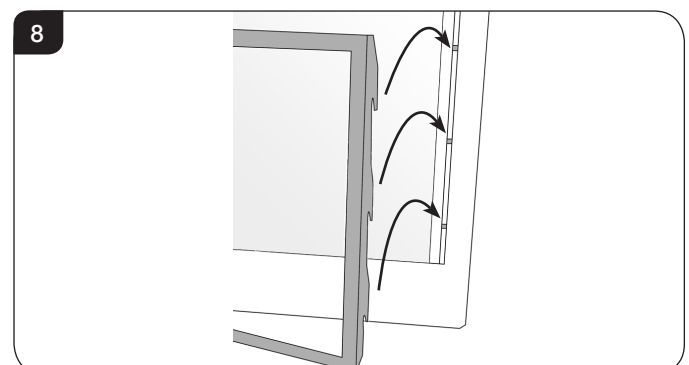


- 3.5 Pull up the handle at the front, see Diagram 6.
- 3.6 Whilst supporting the top, lift the door using the handle, up and over the lower edge, see Diagram 7.



- 3.7 Should the logs require cleaning, lightly brush with a soft brush. Any large pieces of debris may be removed by hand. **DO NOT USE A VACUUM CLEANER.**
- 3.8 Use a damp cloth to clean the outer casing of the appliance.
- 3.9 To clean the glass surface use a non abrasive glass cleaner and soft cloth.
- 3.10 The glass frame must be refitted to the appliance following cleaning or servicing.
 

**Ensure that the rope seal on the back of the glass frame is intact.**
- 3.11 To replace the glass frame, position so the hooks on the back of the frame fit over the side pins, see Diagram 8.



- 3.12 Push the handle down.

# User Instructions

- 3.13 Replace the screws. As the screws are tightened the glass frame is pulled down against the hooks and forms a seal. **Replace ALL of the securing screws ensuring that a screw is present in all fixing slots.**



**UNDER NO CIRCUMSTANCES SHOULD THE APPLIANCE BE USED IF ANY OF THE GLASS FRAME RETAINING SCREWS ARE LOOSE OR MISSING.**

- 3.14 Replace the lower trim.  
3.15 Replace the 2 magnetic side trims.

**NEVER OPERATE THE APPLIANCE WHEN THE GLASS PANEL IS REMOVED OR BROKEN.**

- 3.16 Replace the decorative front by referring to the separate instructions supplied with the front.

## 4. Flame Failure Device

- 4.1 This is a safety feature incorporated on this appliance which automatically switches off the gas supply if the pilot goes out and fails to heat the thermocouple.

**IF THIS OCCURS DO NOT ATTEMPT TO RELIGHT THE APPLIANCE FOR 3 MINUTES.**

## 5. Running In

- 5.1 During initial use of a new Gazco appliance a strong odour will be encountered as various surface coatings become hot for the first time. Although these odours are harmless it is recommended that the appliance is operated on maximum for 4 to 8 hours in order to fully burn off these coatings. After this period the odours should then disappear.

If the odours persist, please contact your installer for advice.

- 5.2 During the first few hours of burning there may be discolouration of the flames. This will also disappear after a short period of use.

## 6. Servicing

- 6.1 The appliance must be serviced every 12 months by a qualified Gas Engineer. In all correspondence always quote the Model number and the Serial number which may be found on the Commissioning Checklist (Page 3).

## 7. Ventilation

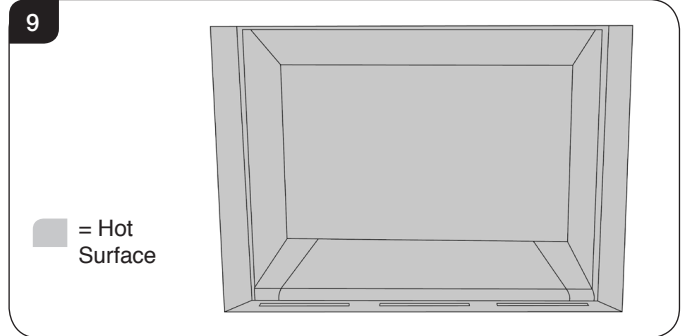
- 7.1 This appliance requires no additional ventilation to the room.  
7.2 For Installation ventilation, see Site Requirements.

## 8. Installation Details

- 8.1 Your installer should have completed the commissioning sheet at the front of this book. This records the essential installation details of the appliance. In all correspondence always quote the Model number and Serial number.

## 9. Hot Surfaces

- 9.1 Parts of this appliance become hot during normal use.  
9.2 Regard all parts of the appliance as a working surface.  
9.3 Provide a suitable fire guard to protect young children and the infirm.



## 10. Appliance will not light

If you cannot light the appliance:

- 10.1 Check and change the batteries in the remote handset.  
10.2 Consult your Gazco retailer or installer if the appliance still does not light.

# Installation Instructions

## Technical Specification

Covering the following models:

	Reflex 105
Nat Gas	191-199

Model	Gas CAT.	Gas Type	Working Pressure	Gas Rate m <sup>3</sup> /h	Input kW (Gross)		Country
					High	Low	
Reflex 105	I <sub>2</sub> H	Nat Gas G20	19mb	1.14	12.0	5.6	GB, IE
<b>Efficiency Class 1 - 92 % / NO<sub>x</sub> Class 4</b>							
Flue Outlet Size Ø 100mm							
Flue Inlet Size Ø 152mm Ø							
Gas Inlet Connection Size Ø 8mm							

Power Supply: A 230V +/- 10% - 50Hz  
Maximum power consumption: 9 Watts  
Operating Temperature: 0°C - 25°C

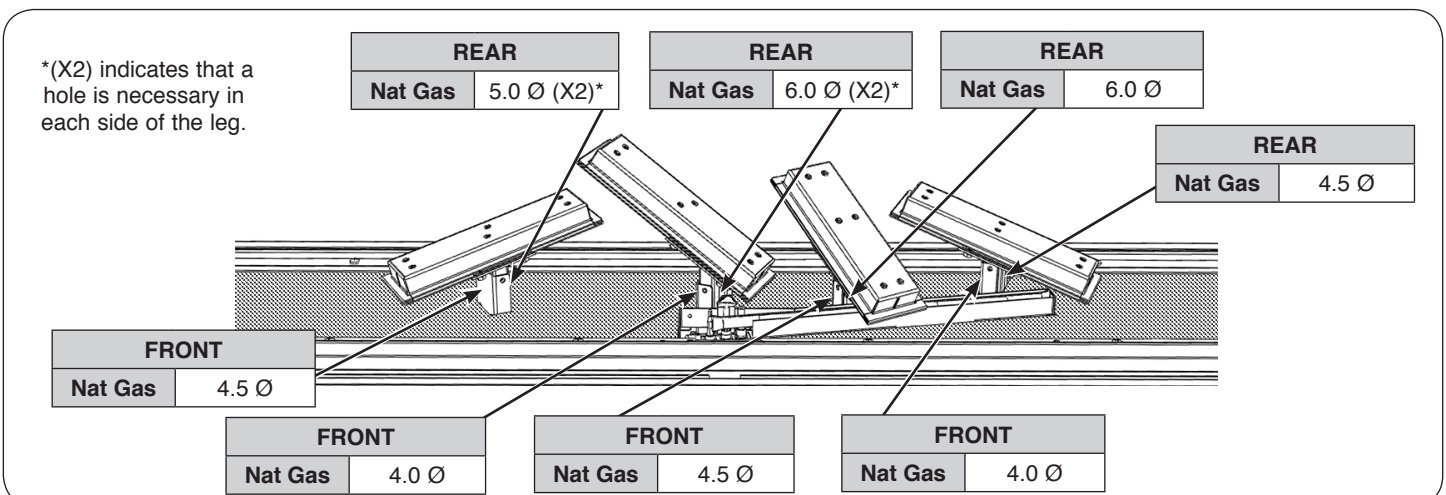
### THIS APPLIANCE MUST BE EARTHED

A 2 metre lead with plug containing a 3 amp fuse is supplied. Only use a 3 amp fuse with this appliance.

**i** The net efficiency of this appliance has been measured as specified in EN613:2001 and the result after conversion to gross using the appropriate factor from Table E4 of SAP 2012 is 82.89%. The test data has been certified by Kiwa Nederland BV. The gross efficiency value may be used in the UK Government's Standard Assessment Procedure (SAP) for energy rating of dwellings.

## Aeration Table

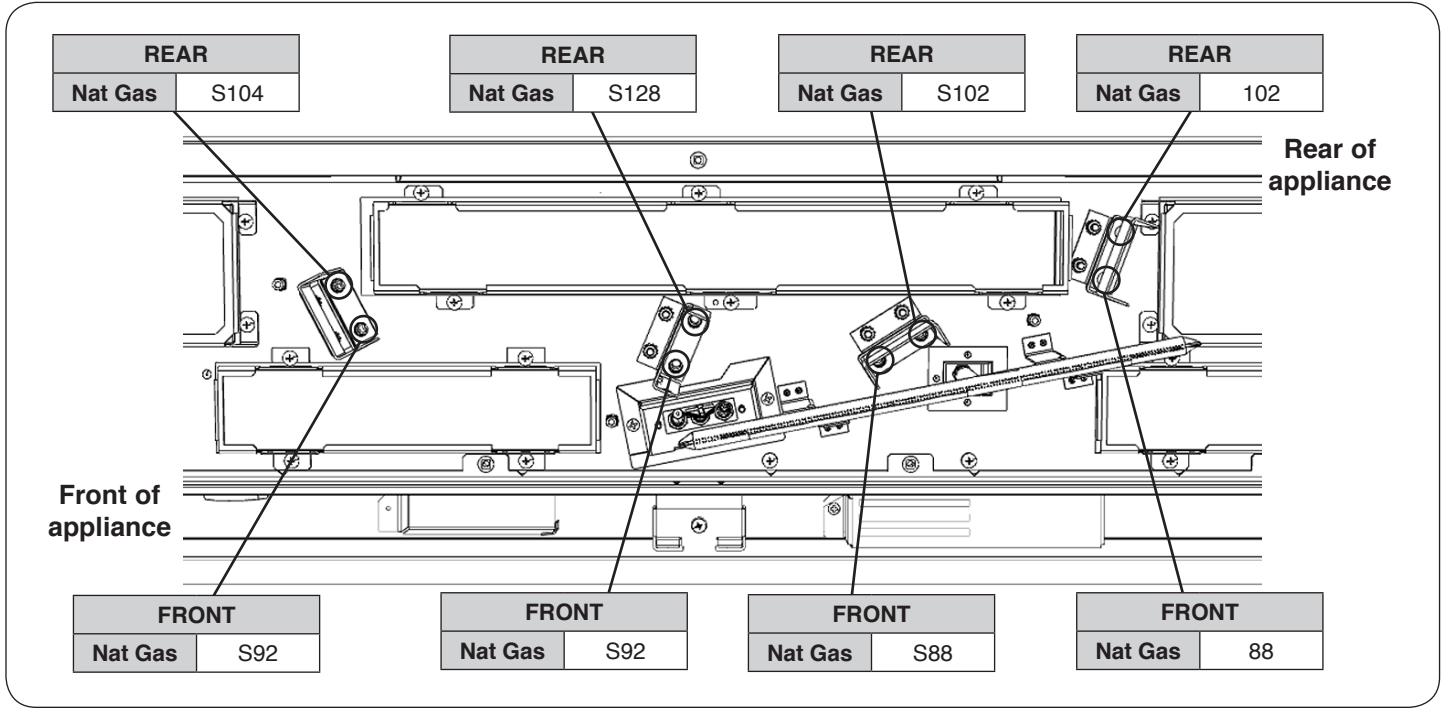
**NOTE:** Aeration Holes are in each leg of the burners. These holes are different sizes at the Front and Back for each individual leg.



# Installation Instructions

## Technical Specification

### Injector Table



### Restrictor Tables

#### RESTRICTOR REQUIREMENT - VERTICAL & HORIZONTAL FLUE SPECIFICATION

##### Reflex 105

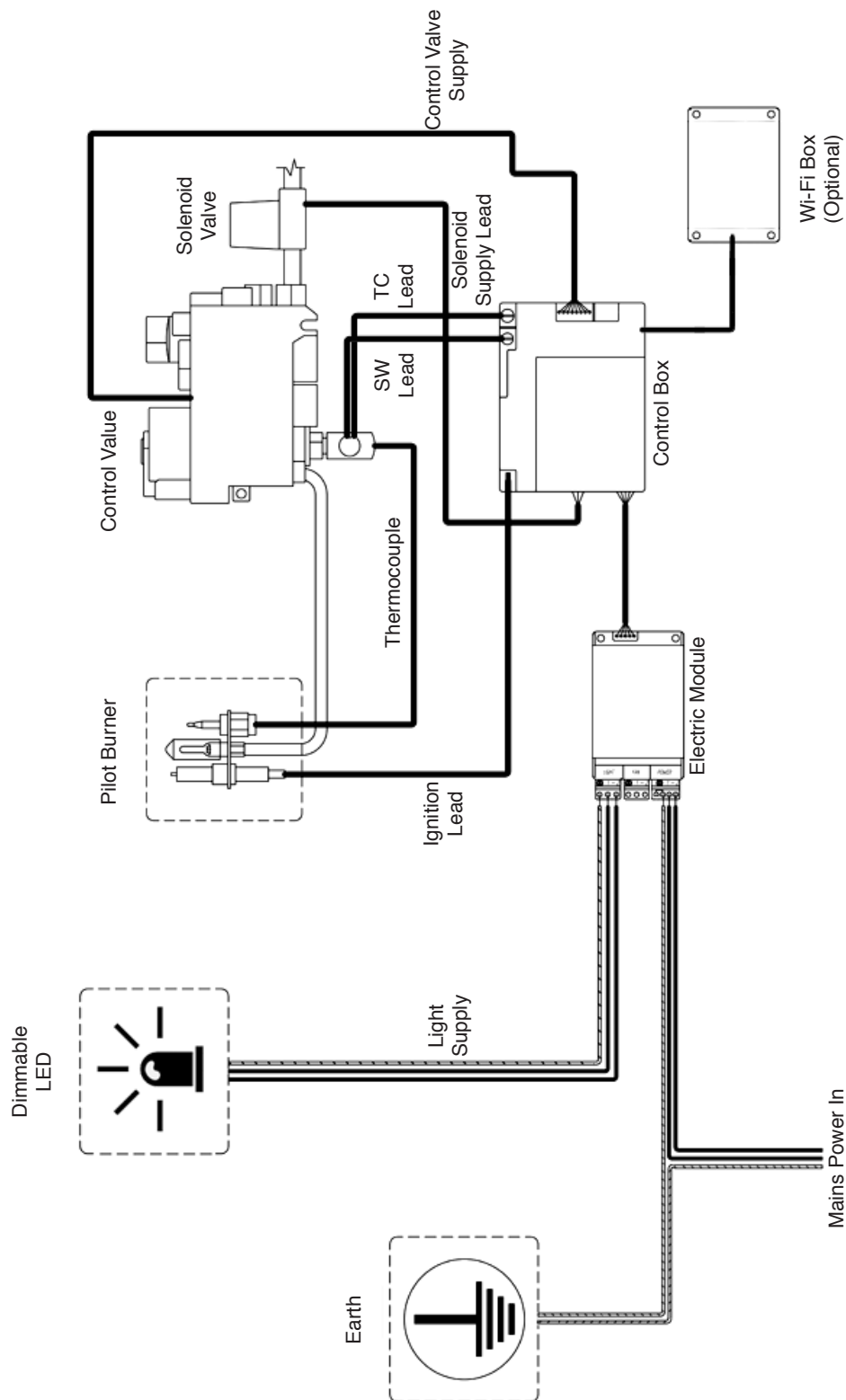
Vertical flue height from top of appliance	Horizontal length	Restrictor size
1000mm	Up to 600mm (with Rear Terminal)	N/A
1200mm	Up to 500mm	N/A
2500mm	Up to 4000mm	N/A

#### TOP EXIT - VERTICAL ONLY INCLUDING OFFSET

Vertical flue height from top of appliance	Restrictor size
1500mm - 1999mm	75mm
2000mm - 4999mm	70mm
5000mm - 10000mm	60mm

# Installation Instructions

## Wiring Diagram



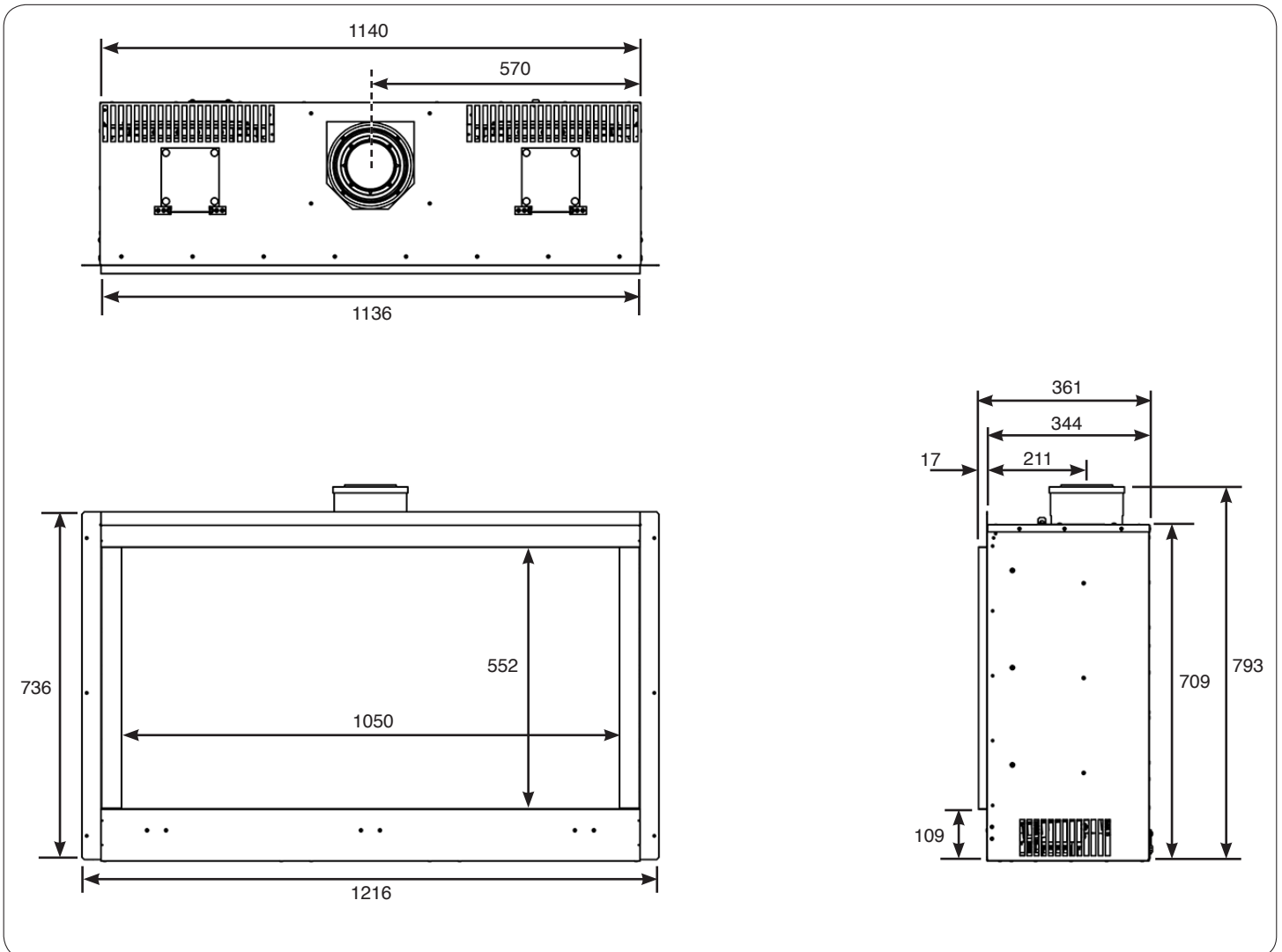
# Installation Instructions

## Technical Specification

This appliance has been certified for use in countries other than those stated. To install this appliance in these countries, it is essential to obtain the translated instructions and in some cases the appliance will require modification. Contact Gazco for further information.

### PACKING CHECKLIST

Qty. Description	Fixing kit containing
1 x Cassette assembly	1 x Instruction manual
1 x Burner assembly	6 x Woodscrews
1 x Set of lining panels	6 x Wall plugs
1 x Log set	1 x Self adhesive foam strip
1 x Large Ember	1 x Handset
1 x Pilot Ember	2 x AAA cell batteries
2 x Small Embers	1 x 75mm Restrictor
1 x Shale Effect pack	
1 x Amber Effect pack	



# Installation Instructions

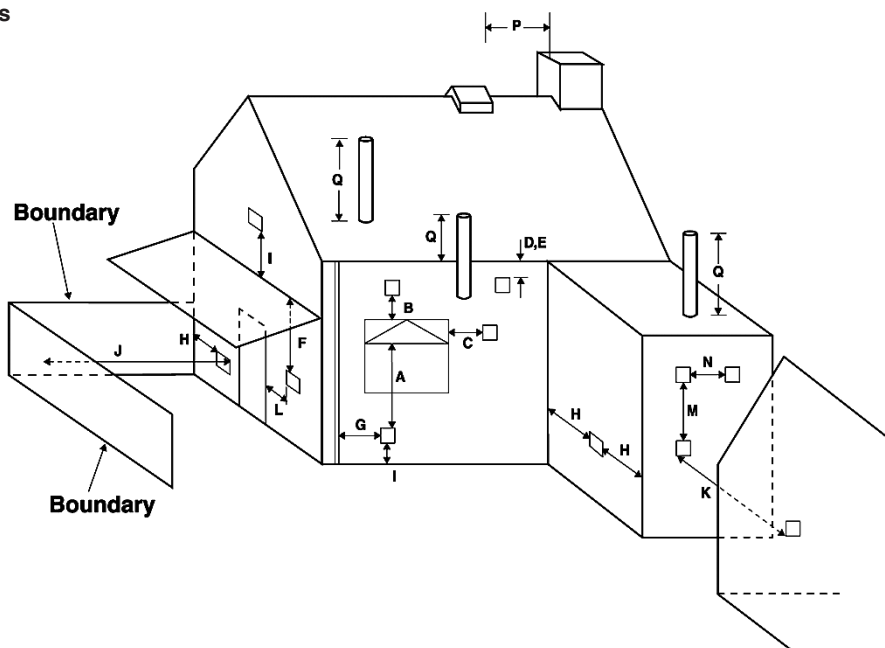
## Site Requirements

### 1. Flue & Chimney Requirements

**Note: This appliance must only be installed with the flue supplied.**

- You must adhere to the following:
- 1.1 The flue must be sited in accordance with BS5440: Part 1 (latest edition), see Diagram 1.
  - 1.2 Fit a guard to protect people from any terminal less than 2 metres above any access such as level ground, a balcony or above a flat roof.
  - 1.3 All vertical and horizontal flues must be securely fixed and fire precautions followed in accordance with local and national codes of practice.
  - 1.4 A restrictor may be required, see Technical Specifications on page 12.
  - 1.5 Two types of flue terminals are available, horizontal and vertical.
  - 1.6 To measure for a horizontal terminal decide on the terminal position.
  - 1.7 Measure the height from the top of the appliance to the centre of the required outlet.
  - 1.8 For minimum and maximum flue dimensions see Diagrams 2a.
  - 1.9 Allow enough room either above or to the side of the appliance to assemble the flue on top.
  - 1.10 Assemble a horizontal flue in the following order:
    - Vertical section
    - 90° elbow
    - Horizontal plus terminal
  - 1.11 Support the opening of a masonry installation with a lintel.
  - 1.12 Only the horizontal terminal section can be reduced in size.

### 1 UK Dimensions



Dimension	Terminal Position	Minimum Distance
A*	Directly below an opening	600mm
B*	Above an opening	300mm
C*	Horizontally next to an opening	400mm
D	Below gutters, soil pipes or drain pipe	300mm
E	Below eaves	300mm
F	Below balcony or car port roof	600mm
G	From a vertical drain pipe or soil pipe	300mm
H	From an internal or external corner or to a boundary alongside the terminal	600mm
I	Above ground, roof or balcony level	300mm

Dimension	Terminal Position	Minimum Distance
J	From a surface or boundary facing the terminal	600mm
K	From a terminal facing the terminal	600mm
L	From an opening in the car port (e.g. door, window) into the dwelling	1200mm
M	Vertically from a terminal on the same wall	1200mm
N	Horizontally from a terminal on the same wall	300mm
P	From a structure on the roof	600mm
Q	Above the highest point of intersection with the roof	300mm

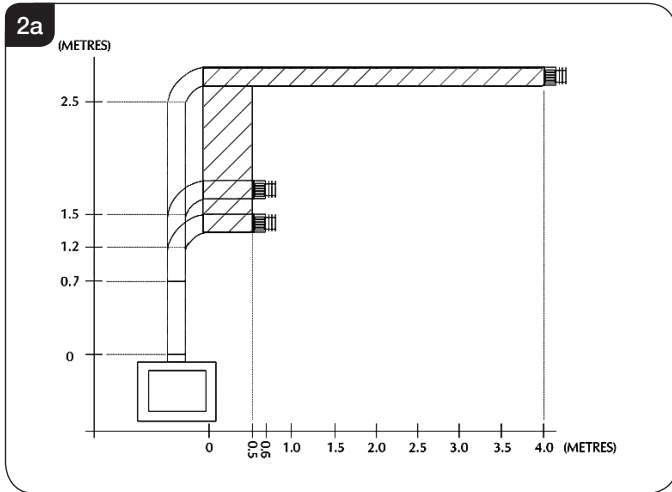
\* In addition, the terminal should not be nearer than 300mm to an opening in the building fabric formed for the purpose of accommodating a built-in element such as a window frame.

# Installation Instructions

## Site Requirements

### 2. Flue Options

#### 2A. Top Flue Up and Out Kit (999-026/999-026AN)



Start of bend to centre line of horizontal flue 170mm. Centre line of vertical flue to end of bend 220mm.

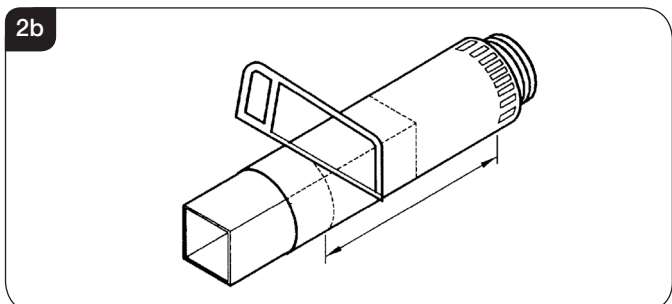
2.1 Vertical from the top of the appliance then horizontally out, see Diagram 2a. The basic kit comprises:

- 1 x 1000mm terminal length
- 1 x 200mm vertical length
- 1 x 90 degree elbow
- 1 x Wall plate
- 1 x 60mm restrictor
- 1 x 70mm restrictor
- 4 x Fixing screw

This kit provides the minimum materials. Extra lengths can be added to the vertical and horizontal sections; see Section 3.

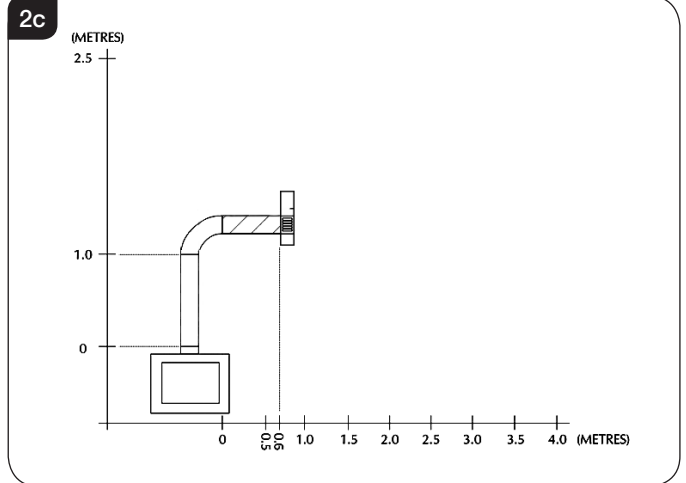
Refer to Installation Instructions, Technical Specification on page 12 to identify when to use a restrictor.

**If a vertical height of 1000mm is to be used then a Rear Terminal must be fitted, see Section 2b.**



#### 2B. Top Flue Up and Out Terminal Kit (999-044/999-044AN)

**NOTE: ONLY USE WITH VERTICAL LENGTH OF 1000MM AND HORIZONTAL LENGTH OF UP TO 600MM.**



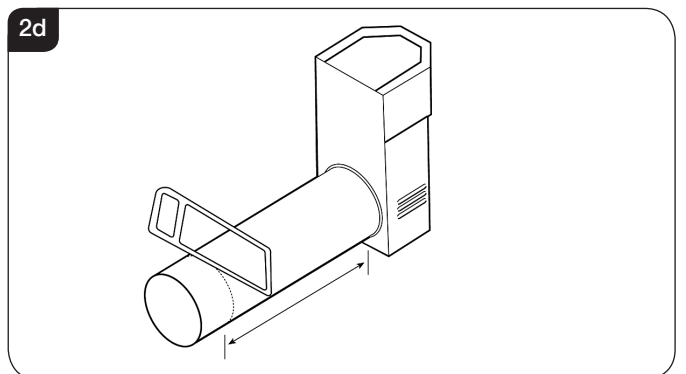
Start of bend to centre line of horizontal flue 170mm. Centre line of vertical flue to end of bend 220mm.

2.2 Vertical from the top of the appliance then horizontally out, see Diagram 2c. The basic kit comprises:

- 1 x 90 degree elbow
- 1 x 1000mm terminal length
- 1 x Wall plate
- 4 x Fixing screw

Refer to Installation Instructions, Technical Specification on page 12 to identify when to use a restrictor.

**If a vertical height of 1000mm is to be used then a Rear Terminal must be fitted.**



Terminal dimensions:  
395 x 200 x 200 mm (H x W x D)  
Guard supplied  
Cut to length as required on site.



# Installation Instructions

## Site Requirements



**IMPORTANT: REAR FLUE INSTALLATION**  
When fitting the appliance with a rear flue terminal it is essential to observe distances to combustible material when flue passes through a combustible wall. Ensure the terminal is suitable protected if fitting to an external combustible structure. There is a fixing kit available from Gazco (Part No 999-220). **DO NOT INSTALL DIRECTLY ONTO A COMBUSTIBLE SURFACE.**

- 2.3 Decide on the terminal position.
- 2.4 Measure the height from the finished hearth level/ base of the appliance to the centre of the required hole.
- 2.5 A masonry installation requires the addition of a suitable lintel to support the opening. Refer to Installation Instructions, Technical Information for details of the flue length.

NOTE - Carefully consider:

- a) Terminal positions
- b) Flue supports
- c) Weatherproofing
- d) Fire precautions

For all the above options, you must conform to local and national codes of practice.

- 2.6 Use only Gazco supplied flue on this appliance.
- 2.7 A guard (supplied) must be fitted to any terminal less than 2 metres above any access such as level ground, a balcony or above a flat roof.

### Timber Framed Buildings

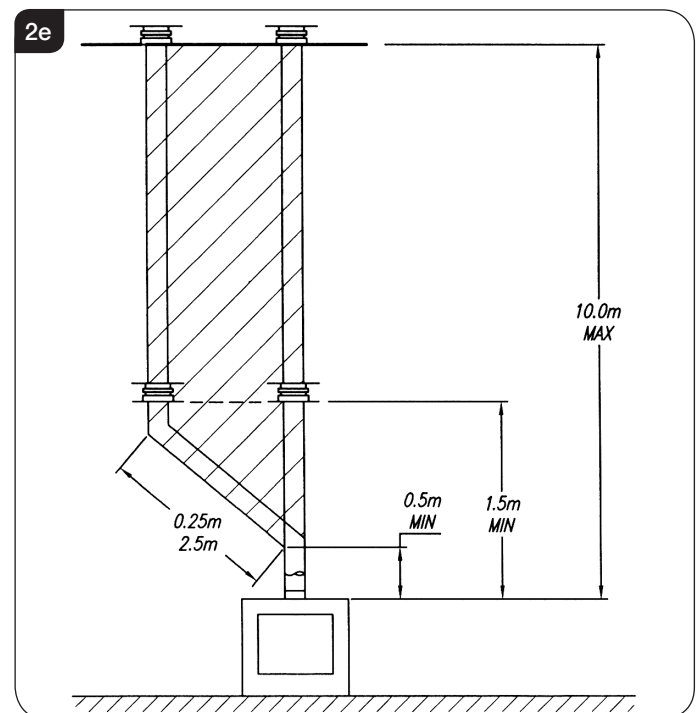
- 2.8 It will be necessary to provide additional clearance when the flue passes through a wall containing any combustible materials so as to prevent a fire hazard.
- 2.9 The hole through which the flue will pass, must have a steel sleeve which is positioned so that an air gap of at least 25mm is maintained between the outer surface of the flue, and any part of the sleeve.
- 2.10 For further guidance on the installation of gas appliances in timber framed buildings, contact your local buildings control authority.

### 2C. Top Flue Vertical Kit (8524/8524AN)

- 2.11 This flue is vertical from the top of the appliance, see Diagram 2d. A minimum vertical rise of 3m (9'10") to a maximum of 10m (32'10"). The basic kit comprises:

- 2 x 1m Lengths
- 1 x 1m Terminal lengths
- 1 x 52mm Restrictor
- 1 x 47mm Restrictor
- 1 x 60mm Restrictor
- 1 x 70mm Restrictor

Extra lengths may be added from the table in Section 3.



### 2d. Top Flue Vertical Offset Kit (8530/8530AN)

- 2.12 Used with kit 8534. A minimum rise of 500mm (19 1/2) is required to the first bend, see Diagram 2e.

# Installation Instructions

## Site Requirements

### 3. Optional Extra Flue Lengths and Bends

All flue components are 150mm diameter (6")

NOMINAL LENGTH	ACTUAL LENGTH	STAINLESS FINISH	ANTHRACITE FINISH
200mm	140mm	8527	8527AN
500mm	440mm	8528	8528AN
1000mm	940mm	8529	8529AN

**NOTE:** The following areas need careful consideration.

- a) Terminal positions
- b) Flue supports
- c) Weatherproofing
- d) Fire precautions

For all the above options, local and national codes of practice must be adhered to.

### 4. Gas Supply

This appliance is intended for use on a gas installation with a governed meter.

- 4.1 Before installation, ensure that the local distribution conditions (identification of the type of gas and pressure) and the adjustment of the appliance are compatible.
- 4.2 Ensure that the gas supply is capable of delivering the required amount of gas and is in accordance with the rules in force.
- 4.3 Soft copper tubing can be used to install the appliance. Soldered joints can be used externally of the appliance.
- 4.4 This appliance is supplied complete with a factory fitted isolation device incorporated into the inlet connection, no further isolation device is required.
- 4.5 All supply gas pipes must be purged of any debris that may have entered, prior to connection to the appliance.
- 4.6 The gas supply enters through the silicone panel located on the rear of the outer box. Slit with a sharp knife prior to passing the supply pipe through.
- 4.7 The gas supply must be installed in a way that does not restrict the removal of the appliance for servicing and inspection.

### 5. Ventilation

- 5.1 The installation of this product requires no additional ventilation modifications to the building.

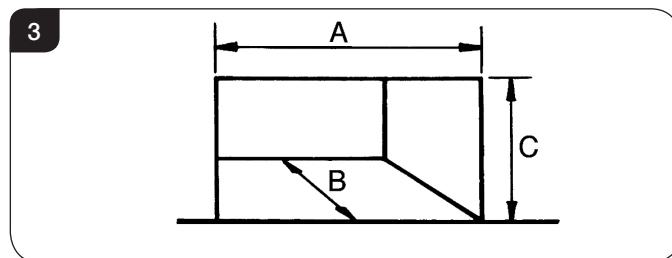
However, it will be necessary to ensure the housing for the appliance has vents provided to allow air to circulate and prevent overheating, see Installation Section 7 for details.

### 6. Appliance Location

**i** If fitting this appliance with a decorative frame it cannot be installed with the base of the appliance less than 150mm from the floor level. The frame requires a minimum clearance to allow air to circulate.

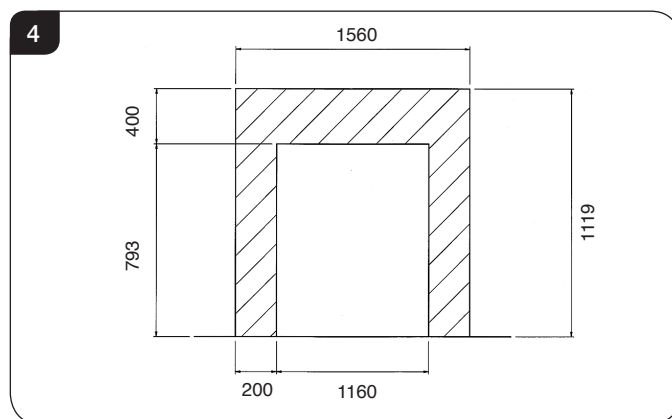
If this appliance is fitted less than 225mm from the floor, then it will require a hearth to protect the floor. The hearth should have a minimum dimension of 12mm thick, projecting 225mm in front and 150mm either side of the appliance.

- 6.1 The minimum opening dimensions are shown in Diagram 3.



DIMENSION	Reflex 105
A	1160mm
B	444mm
C	793mm

- 6.2 This appliance must not be installed in a room that contains a bath or shower.
- 6.3 **NOTE:** If using natural materials for the back panel of the fireplace, it is recommended that it is constructed from three or more sections to prevent cracking. Resin based materials may not be suitable. This appliance is an effective heat producer and attention must be paid to the construction and finish of the fireplace.
- 6.4 This appliance is not suitable for installation onto a combustible wall; all combustible materials must be removed from the area shown in Diagram 4.



# Installation Instructions

## Site Requirements

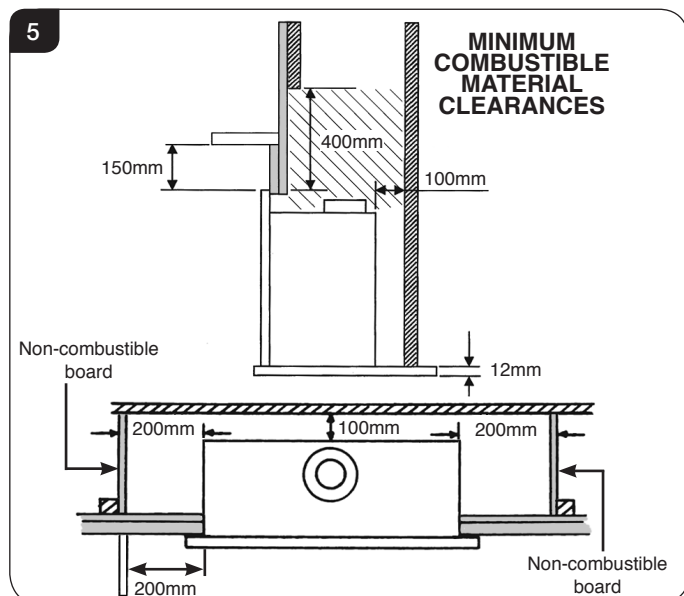
**i** **Decorative Surround**  
If fitting this appliance with a decorative surround refer to separate installation instructions supplied with the Surround.

**!** **This appliance is designed so that non-combustible board can be taken right up to the edge of the flange.**  
**Whether finishing with an edge effect or with a decorative frame this appliance must be installed using the Edge Installation method.**

### STUDWORK INSTALLATION

- 6.5 If a studwork installation is used (eg. wooden framework and plasterboard), combustible parts of the studwork must not be any closer than the minimum dimensions shown in the diagrams. NOTE: These dimensions must be maintained even if the combustible materials is protected by non-combustible linings.
- 6.6 Do not pack the void around or above the appliance with insulation materials such as mineral wool.
- 6.7 The void built for the cassette must be ventilated to prevent a build-up of heat. Vents must be fitted at both high and low levels of a minimum of 200cm<sup>2</sup> each. These vents must take cold air from the room and return warm air back into the room.
- 6.8 A removable access hatch must be left in the side of the chimney breast for future servicing and inspection of the appliance.
- 6.9 Build the studwork chimney breast to the desired size. Ensure that the clearances to combustible materials is maintained.

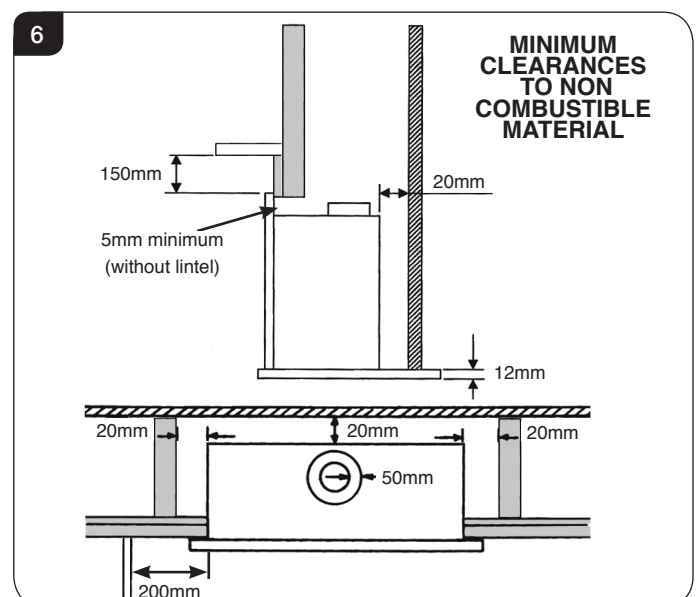
**PROTECT THE NEAREST STUDWORK WITH NON-COMBUSTIBLE MATERIAL AND MAINTAIN THESE DIMENSIONS AT ALL TIMES, SEE DIAGRAM 5.**



- 6.10 **DISTANCE TO NON-COMBUSTIBLE OR COMBUSTIBLE MATERIAL TO CREATE ENOUGH CLEARANCE FOR THE TOP VENTS TO OPEN. IT IS IMPORTANT THAT NO PART OF THE STUDWORK, (COMBUSTIBLE OR NOT,) IS BUILT WITHIN 400MM OF THE TOP OF THE BOX.**
- 6.11 It is recommended that a marble slip or similar material is used when fitting cassette fireplaces into a plastered surface, in order to allow for heat dissipation. Also allow adequate time for newly plastered areas to dry out. Rapid drying can create cracks. If in doubt, seek the advice of a professional plasterer.
- 6.12 Parts of this appliance become hot during normal use. It is therefore recommended that a suitable fire guard be used for protection of young children and the infirm.

### MASONRY INSTALLATION

- 6.13 Please note this appliance has been primarily designed for studwork applications. However, there are circumstances where the appliance could be installed in a block or brickwork fireplace using different methods and materials for the final effect.  
**THIS VOID MUST BE VENTED TO PREVENT HEAT BUILD UP AROUND THE APPLIANCE.**
- 6.14 This appliance is not suitable for installation onto a combustible wall. Remove all combustible material from the area shown, see Diagram 6.
- 6.15 Create a Builders Opening in chimney breast to the required size, see Diagram 3. Ensure that the clearances to combustible materials is maintained.



# Installation Instructions

## 1. Safety Precautions

- 1.1 For your own and other's safety, you must install this appliance according to local and national codes of practice. Failure to install the appliance correctly could lead to prosecution. **Read these instructions before installing and using this appliance.**
- 1.2 These instructions must be left intact with the user.
- 1.3 Do not attempt to burn rubbish on this appliance.
- 1.4 Keep all plastic bags away from young children.
- 1.5 Do not place any object on or near to the appliance and allow adequate clearance above the appliance.

**IF THE APPLIANCE IS EXTINGUISHED OR GOES OUT IN USE, WAIT 3 MINUTES BEFORE ATTEMPTING TO RELIGHT THE APPLIANCE.**

- 1.6 The appliance is fitted with an oxygen sensitive pilot that will act to cut off the gas supply to the appliance in the event of incorrect operation of the flue.  
If the system acts to shut off the gas supply, this indicates that there is insufficient flue pull. Continued operation of this safety device means that there may be a serious problem with the flue system, and this should be inspected by a qualified gas engineer. **Do not use the appliance until an engineer says it is safe to do so.**  
The oxygen sensitive pilot must not be tampered with. Use only genuine Gazco replacement parts when servicing the appliance - refer to Servicing section.



**IMPORTANT: REFER TO DATA BADGE AND TECHNICAL SPECIFICATION AT THE FRONT OF THE MANUAL TO ENSURE THE APPLIANCE IS CORRECTLY ADJUSTED FOR THE GAS TYPE AND CATEGORY APPLICABLE IN THE COUNTRY OF USE.**

**FOR DETAILS OF CHANGING BETWEEN GAS TYPES REFER TO SERVICING, SECTION 15, REPLACING PARTS.**

## Unpacking

- 1.7 Remove the appliance from its packaging, and check that it is complete and undamaged.  
  
Put the loose ceramic parts to one side so that they are not damaged during installation.

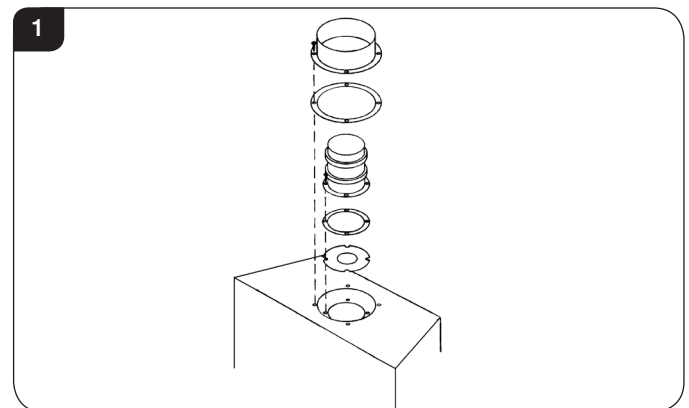
## 2. Installation of the Appliance

- 2.1 This appliance can be installed in 2 different ways:
  - 1) Builder's opening with an Edge finish.
  - 2) Studwork with an Edge finish.

## 3. Flue Assembly

- 3.1 See Site Requirements, Section 2, Flue Options.

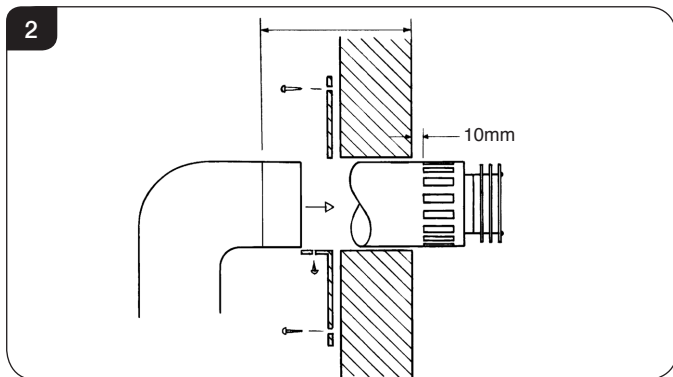
**TAKE CARE WHEN MARKING OUT FOR THE FLUE AS IT IS DIFFICULT TO MOVE AFTER INSTALLATION. IF A RESTRICTOR IS REQUIRED FIT THIS BETWEEN THE SMALL OUTLET SPIGOT AND THE AIR DUCT, SEE DIAGRAM 1. REFER TO TECHNICAL SPECIFICATIONS FOR RESTRICTOR SIZE.**



- 3.2 A 152mm (6") diameter hole in the wall is required to install the flue. This can be achieved by using either:
  - a) Core drill
  - b) Hammer and chisel
- 3.3 Drill small holes around the circumference when using method b). Make good both ends of the hole.
- 3.4 Allow enough room either above or to the side of the appliance to assemble the flue on top.
- 3.5 Assemble a horizontal flue in the following order:
  - Vertical section
  - 90° elbow
  - Horizontal plus terminal
- 3.6 Support the opening of a masonry installation with a lintel.
- 3.7 Only the horizontal terminal section can be reduced in size.  
  
To find the length:
  - 3.8 Measure from the outside of the wall to the stop on the 90° elbow.
  - 3.9 **Add 10mm to the outlet end.**
  - 3.10 Measure from the edge of the slots closest to the wall.

# Installation Instructions

3.11 Mark around the flue, see Diagram 2.

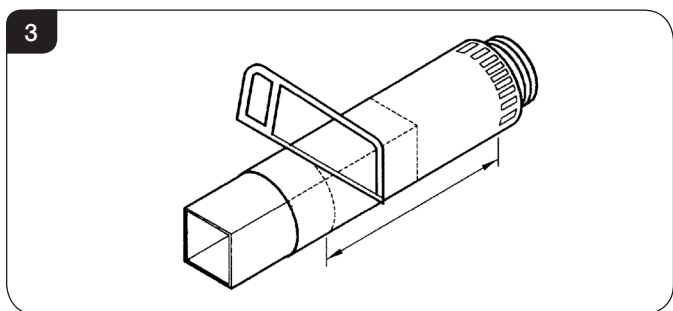


A wall plate is supplied to fix the flue to the wall:

3.12 Bend the tab to 90°.

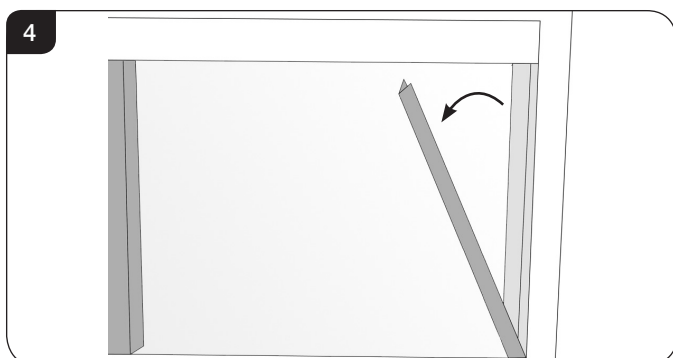
3.13 Assemble the plate onto the flue but do not secure to wall until the flue is fully assembled.

3.14 The cardboard fitment in the terminal is used to support the flue whilst it is cut to length. **ONCE CUT TO SIZE REMOVE THE CARDBOARD REMNANT**, see Diagram 3.

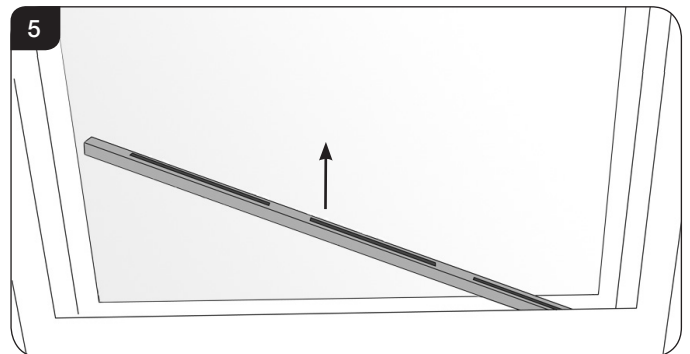


## 4. Removing the Glass Frame

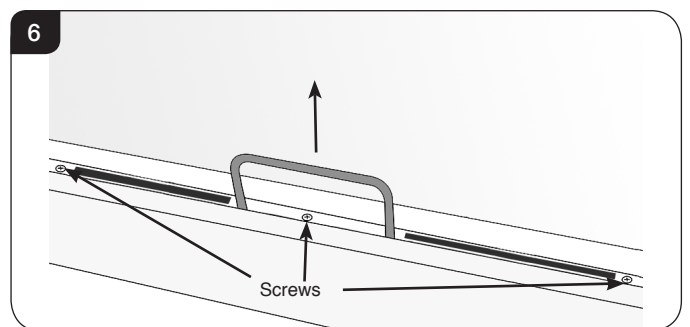
4.1 Remove the glass door by removing the 2 side trims, see Diagram 4. These are held on by magnets.



4.2 Lift out the bottom slotted trim, see Diagram 5.

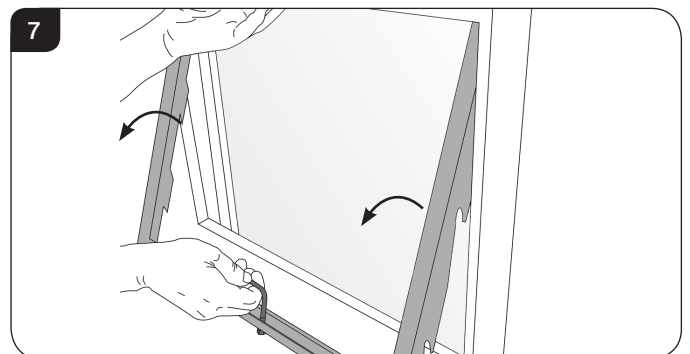


4.3 Remove the 3 screws at the base of the door, see Diagram 6.



4.4 Pull up the handle at the front, see Diagram 6.

4.5 Whilst supporting the top, lift the door using the handle, up and over the lower edge, see Diagram 7.



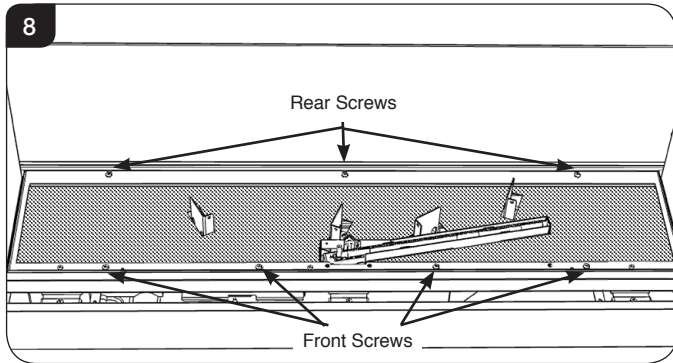
4.6 Remove the 2 boxes from the appliance and store safely as they contain the Log Burners and fuel effects.

# Installation Instructions

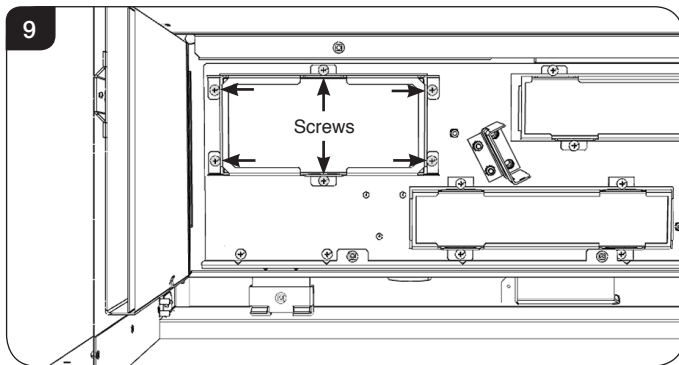
## 5. Removing the Main Control Assembly

The Main Control Assembly will need to be removed to install the gas supply.

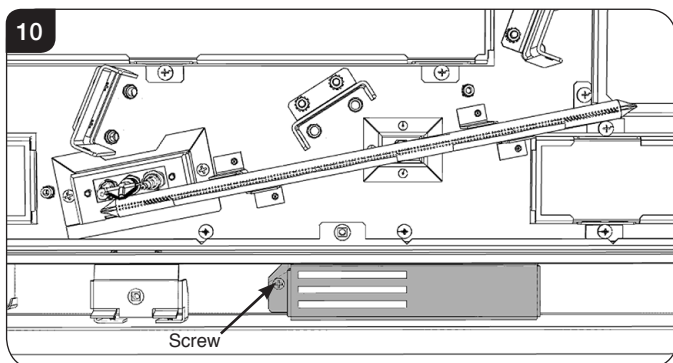
- 5.1 Remove the 4 screws from the front of the Mesh Tray, see Diagram 8.



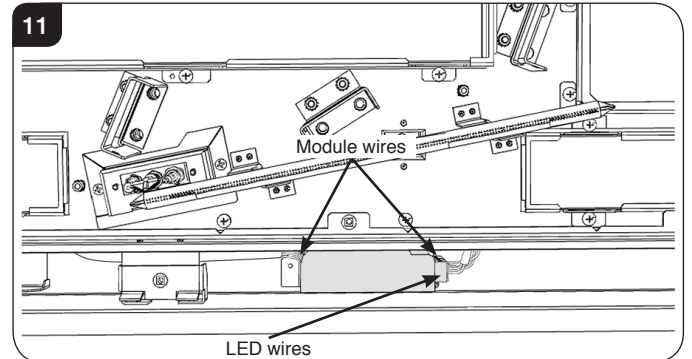
- 5.2 Loosen the 3 screws at the rear of the Mesh Tray, see Diagram 8.
- 5.3 Slide the Mesh Tray forward slightly to disengage from the rear screws and carefully lift over the Log Burner Brackets, Pilot and Cross Lighter.
- 5.4 Remove through the front of the appliance.
- 5.5 Remove the 6 screws to remove the Access Panel, see Diagram 9.



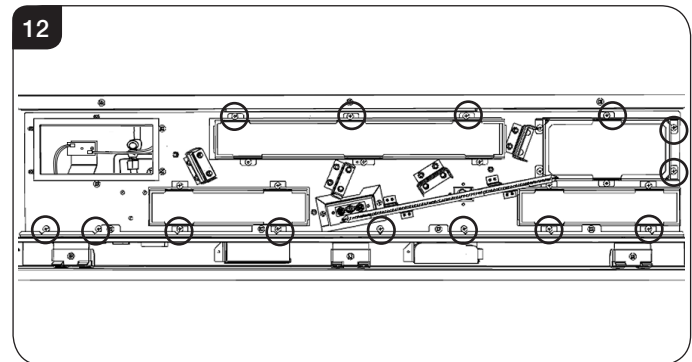
- 5.6 Remove the screw from the module bracket and carefully lift to remove, see Diagram 10.



- 5.7 Disconnect the Mains Lead Plug, the LED leads and the receiver lead from the Module and the Wi-Fi box (if installed), see Diagram 11.  
**DO NOT REMOVE THE WIRES FROM THE PLUG.**



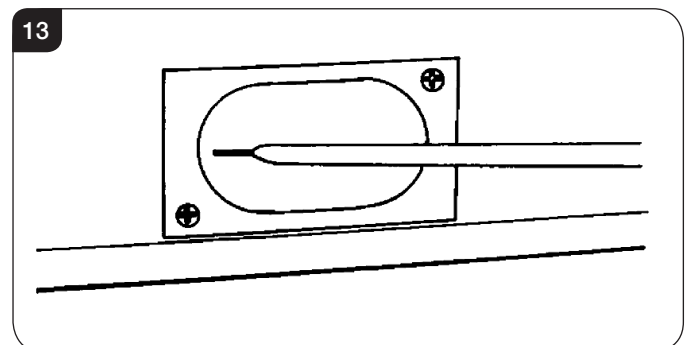
- 5.8 Remove the remaining screws securing the Main Control Assembly to the firebox, see Diagram 12.



- 5.9 Lift the rear of the Main Control Assembly and rotate upwards slightly to clear the gas valve and remove through the front of the appliance.  
**NOTE:** Take care not to catch any loose wiring previously disconnected against the front edge of the firebox.

Place carefully to one side.

- 5.10 The gas supply enters through the Silicone Panel located on the left-hand rear of the outer box; this will need to be slit with a sharp knife prior to passing the supply pipe through, see Diagram 13.



**Note:** The Isolation Elbow needs to be attached to the gas pipe before installation.

## 6. Masonry Chimney Installation



This appliance is designed so that non-combustible board can be taken right up to the edge of the flange.

Whether finishing with an edge effect or with a decorative frame this appliance **must** be installed using the Edge Installation method detailed below.

Carefully read the section below for the installation method.

- 6.1 Fix the self adhesive foam seal around the back of the fixing flange of the appliance.
- 6.2 Prepare the flue connection using the chosen method described in Section 3.
- 6.3 Connect the flue and install the appliance into the aperture. At the same time ensure that the gas pipe passes through the silicon panel at the back of the appliance.

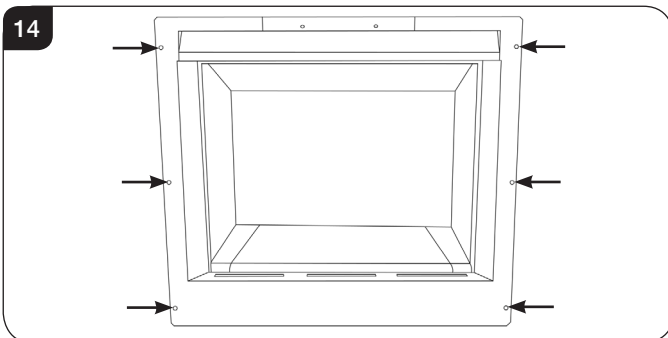
Provide electric services into the void on the right hand side.



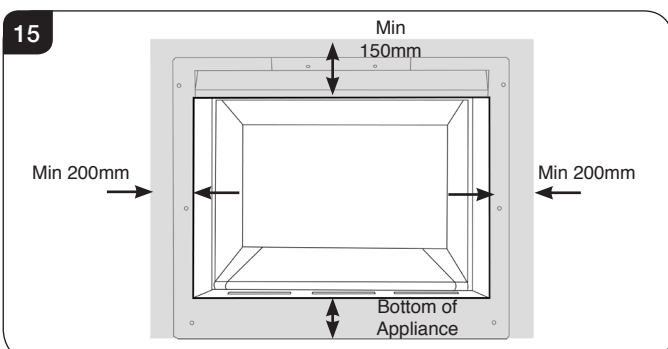
It is necessary to be able to disconnect the appliance from the mains electrical supply after installation.

This may be achieved by an accessible plug or by incorporating a switch into the fixed wiring in accordance with the rules in force.

- 6.4 Secure the appliance through the 6 fixing holes using the screws provided, see Diagram 14.



- 6.5 Build the chimney breast up to coincide with the edge, allowing for the front to be skimmed level.
- 6.6 Fit non-combustible board to the chimney breast around the appliance, using the distance to combustibles detailed in Diagram 15.



- 6.7 Fit plasterboard to the remaining of the chimney breast front.
- 6.8 Apply a heat resistant plaster around the appliance using the distance to combustibles detailed in Diagram 15.
- 6.9 Apply a plaster finish to remaining chimney breast front.
- 6.10 If installing a decorative surround or front refer to separate installation instructions.

The subframe for the decorative front can now be fitted by following the instructions supplied with the Front.

**NOTE: THE SUBFRAME MUST SIT FLUSH TO THE WALL LEVEL WITH THE APPLIANCE FLANGE.**

## 7. Studwork Installation



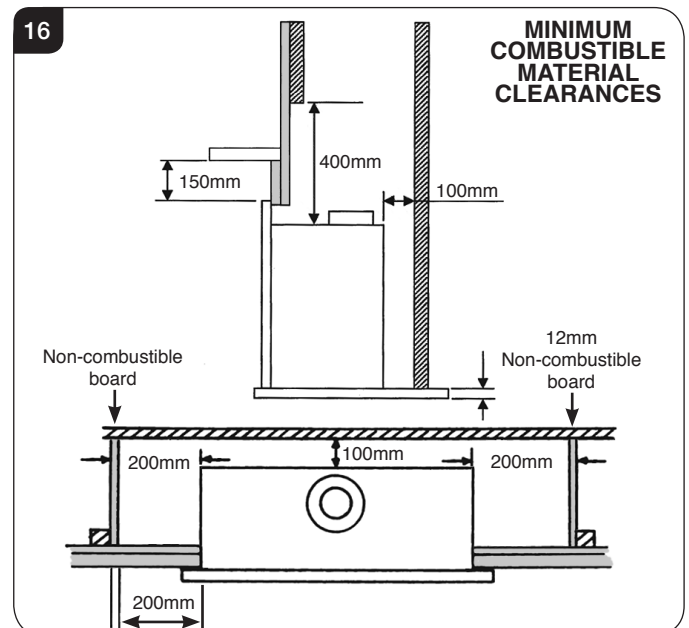
This appliance is designed so that non-combustible board can be taken right up to the edge of the flange.

Whether finishing with an edge effect or with a decorative frame this appliance **must** be installed using the Edge Installation method detailed below.

### 7.1 DISTANCE TO COMBUSTIBLE MATERIAL

**COMBUSTIBLE PARTS OF THE STUDWORK MUST BE KEPT BEYOND THE MINIMUM DIMENSIONS SHOWN IN DIAGRAM 16.**

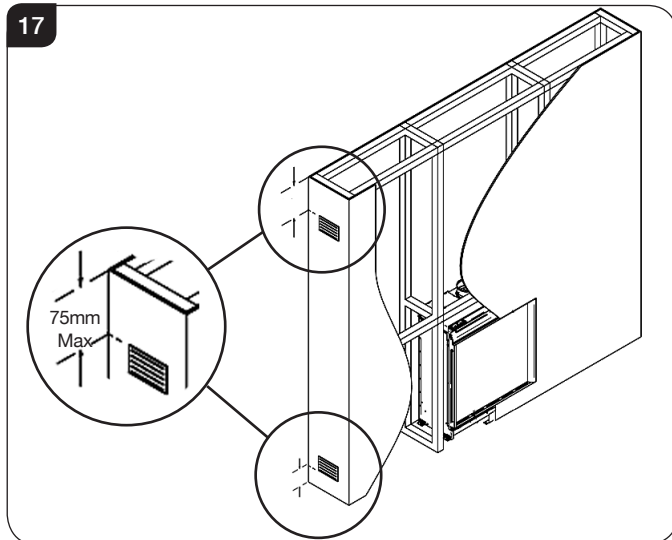
**PROTECT THE NEAREST STUDWORK WITH NON-COMBUSTIBLE MATERIAL AND MAINTAIN THESE DIMENSIONS AT ALL TIMES, SEE DIAGRAM 16.**



- 7.2 **DISTANCE TO NON-COMBUSTIBLE OR COMBUSTIBLE MATERIAL**  
TO CREATE ENOUGH CLEARANCE FOR THE TOP VENTS IT IS IMPORTANT THAT NO PART OF THE STUDWORK (COMBUSTIBLE OR NOT) IS BUILT ABOVE THE TOP OF THE BOX.

# Installation Instructions

- 7.3 **DO NOT PACK THE VOID AROUND OR ABOVE THE APPLIANCE WITH INSULATION MATERIALS SUCH AS MINERAL WOOL.**
- 7.4 **THE VOID BUILT FOR THE CASSETTE MUST BE VENTILATED TO PREVENT A BUILD-UP OF HEAT. VENTS MUST BE FITTED AT BOTH HIGH AND LOW LEVELS OF A MINIMUM OF 200CM<sup>2</sup> EACH. THESE VENTS MUST TAKE COLD AIR FROM THE ROOM AND RETURN WARM AIR BACK INTO THE ROOM.**



- 7.5 **ALTERNATIVELY FOR THE HIGH VENTILATION THE ENCLOSURE CAN BE CONSTRUCTED TO LEAVE A GAP BETWEEN THE TOP OF THE WALL AND THE CEILING GIVING THE REQUIRED VENTILATION AREA OR GREATER.**

**This installation is Top Exit only. Use only a rigid twin wall flue pipe.**

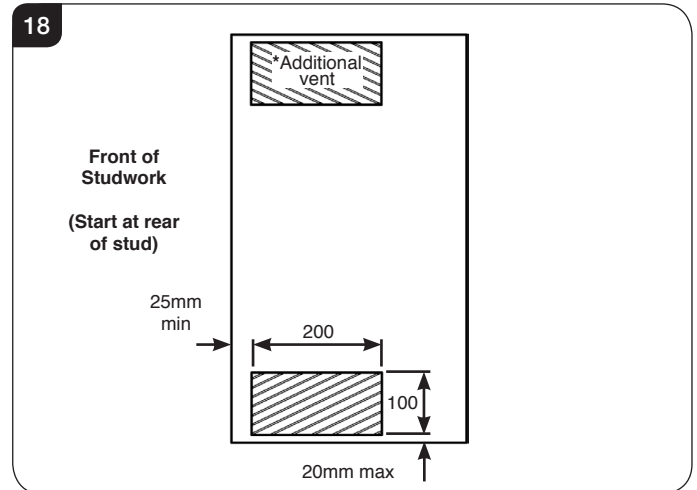
Carefully read the section below for the installation method.

- 7.6 Build the studwork chimney breast and enclosures to the desired size to include the protected platform at the required height.

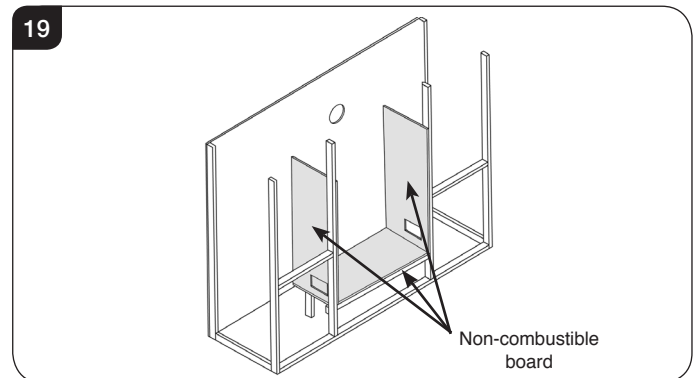
Ensure that the minimum 200mm distance to combustible studwork is maintained.

- 7.7 Before fitting the cladding, cut 2 x 200mm x 100mm minimum holes in the non-combustible side boards to allow air circulation around the appliance vents, see Diagrams 18 & 19.

**NOTE:** If lining the top of the aperture, an additional vent(\*) will need to be cut into each side board, see Diagram 18.



- 7.8 Line the aperture for the appliance with 12mm thick non-combustible material as shown. Non-combustible board used to protect the studwork can line the aperture inside the 50mm clearance distance, see Diagram 19.



- 7.9 Site the appliance and decide on flue requirements.
- 7.10 Prepare the flue connection using the chosen method described in Section 3 ensuring that distances to combustible materials are maintained at all times.
- 7.11 Connect the flue and install the appliance into the aperture. At the same time ensure that the gas pipe passes through the silicon panel at the back of the appliance.

Provide electric services into the void on the right hand side.



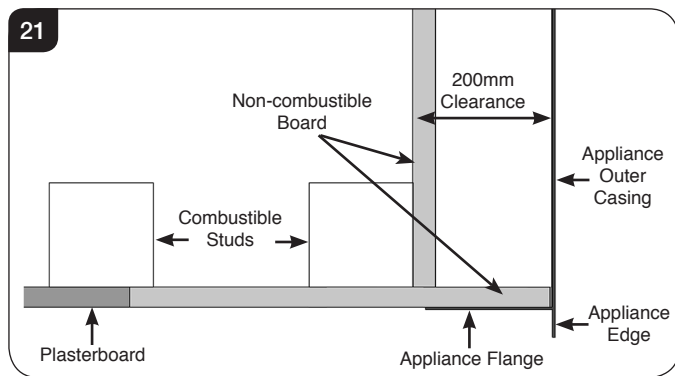
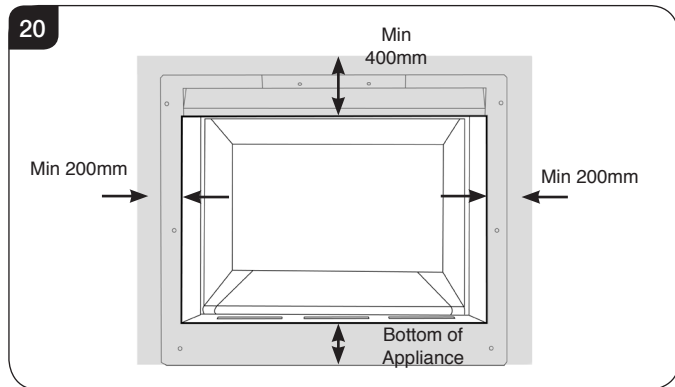
**It is necessary to be able to disconnect the appliance from the mains electrical supply after installation. This may be achieved by an accessible plug or by incorporating a switch into the fixed wiring in accordance with the rules in force.**

Do not secure the appliance at this time.



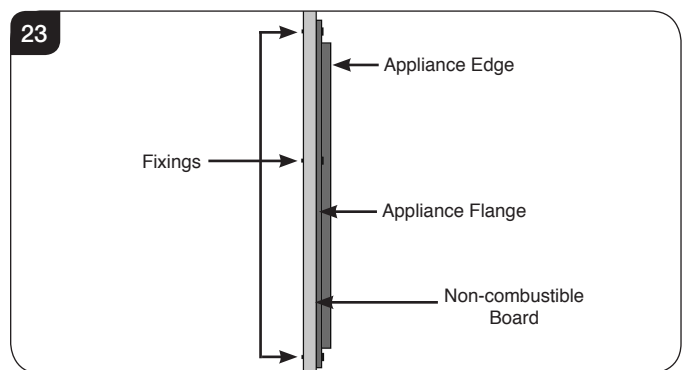
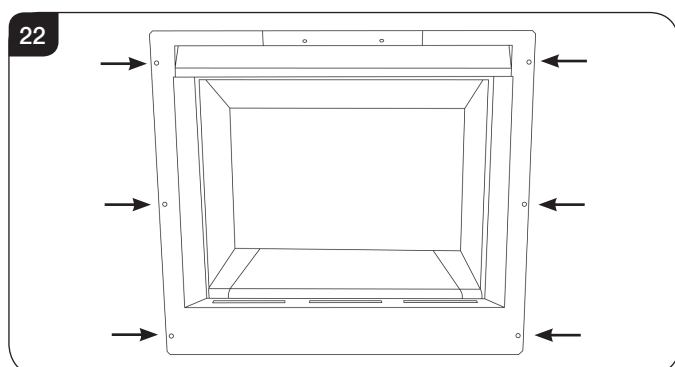
# Installation Instructions

7.12 Fit non-combustible board to the studwork around the aperture. This should extend a minimum of 400mm above the appliance and at least 200mm to the sides of the appliance, see Diagram 20 and Diagram 21.

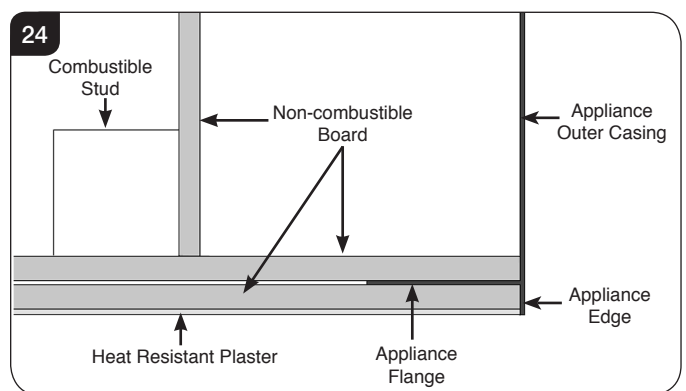


Ensure the clearances are maintained, see Diagram 21.

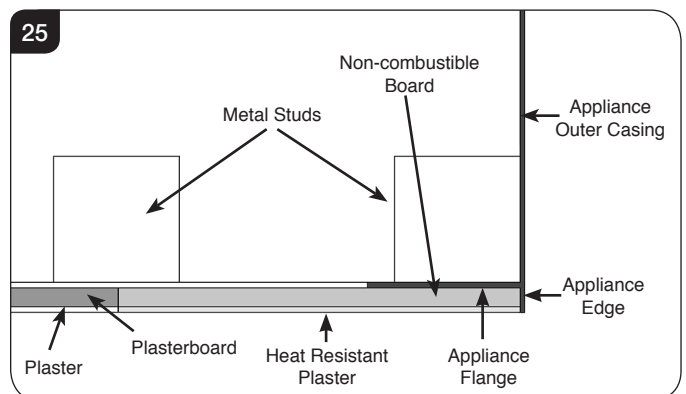
- 7.13 Apply plasterboard to the remainder of the studwork.
- 7.14 Fix the self adhesive foam seal around the back of the fixing flange of the appliance.
- 7.15 Secure the appliance to the non-combustible board through the 6 fixing holes, using the anchor fixings provided, see Diagram 22 & 23.



7.16 Fit non-combustible board to the board around the appliance, see Diagram 24. Ensure distances to combustibles are observed, see Diagram 20.



NOTE: If metal studwork is used, there is no need to fit non-combustible board to the face of the construction, see Diagram 25.



- 7.17 Apply plasterboard to the remainder of the first layer of plasterboard.
- 7.18 Apply a heat resistant plaster around the appliance, see Diagram 25. Ensure distances to combustibles are observed, see Diagram 20.
- 7.19 If installing a decorative surround or front refer to separate installation instructions.

The subframe for the decorative front can now be fitted by following the instructions supplied with the Front.  
**NOTE: THE SUBFRAME MUST SIT FLUSH TO THE WALL LEVEL WITH THE APPLIANCE FLANGE.**

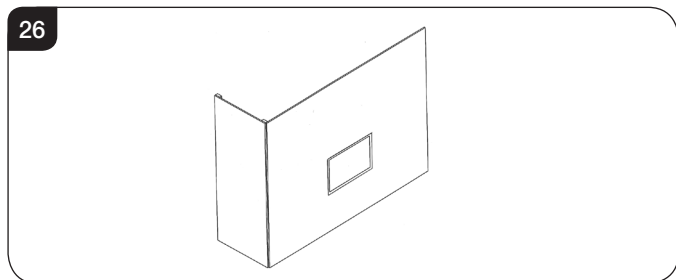
# Installation Instructions

## To Finish the Installation

### After commissioning:

8.20 Finish the sides of the chimney breast, see Diagram 26.

A removable access hatch must be left in the side of the chimney breast for future servicing and inspection of the appliance.



## 8. Fitting the Liners

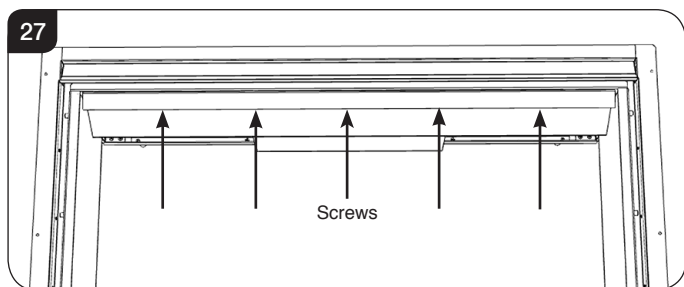


**IMPORTANT: IF THE APPLIANCE IS FITTED WITH BLACK GLASS LINERS THE BACK PANEL IS ONE PIECE. THE SIDE PANELS ARE ALSO SPECIFIC FOR LEFT AND RIGHT - MAKE A NOTE WHEN REMOVING AND REPLACE IN THE SAME ORIENTATION.**

### Baffle

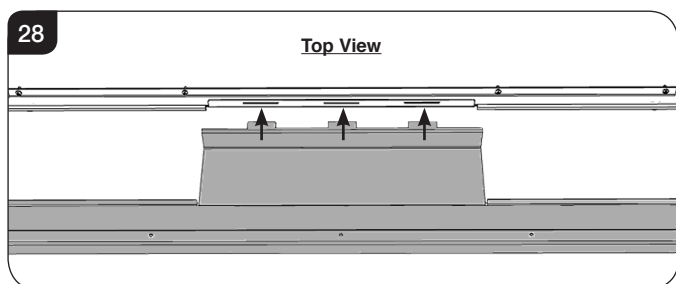
8.1 The Baffle must be removed before the Liners can be fitted in the appliance.

8.2 Undo the 5 screws securing the baffle to the roof of the firebox, see Diagram 27.



8.3 The Baffle can now be removed by lowering the front edge and pulling forward through the front of the appliance. **TAKE CARE NOT TO DAMAGE THE SIDE PANELS.**

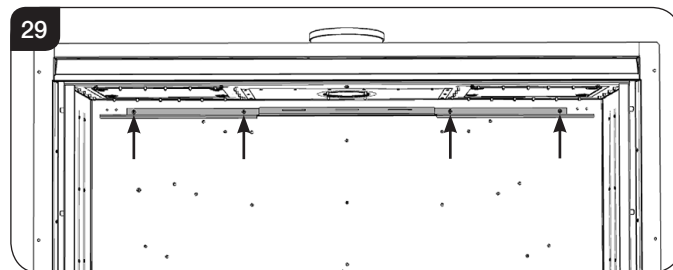
8.4 NOTE: When replacing the Baffle ensure that the 3 tabs fit into the slots in the rear liner bracket, see Diagram 28.



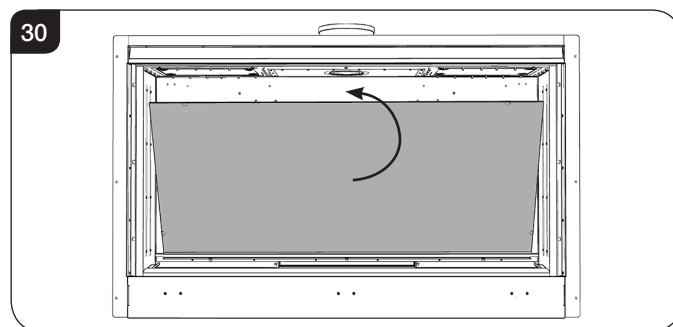
### Fitting the Rear Liner

NOTE: The rear liner must be fitted before the side liners.

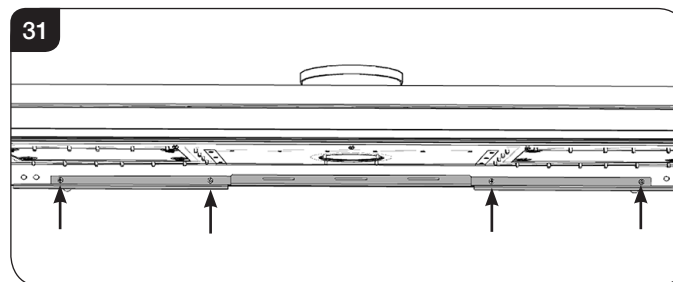
8.5 Remove the 4 screws securing the rear liner bracket to the back of the appliance, see Diagram 29.



8.6 Carefully place the bottom of the liner onto the rear liner lip and tilt upwards into position, see Diagram 30.



8.7 Secure the Rear Liner Bracket using 4 screws, see Diagram 31.

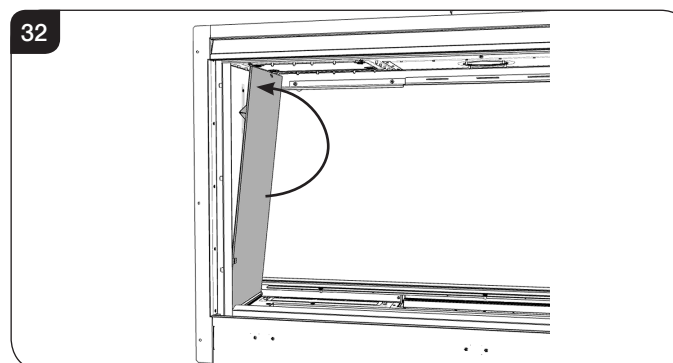


### Fitting the Side Liners

NOTE: The side liners must be fitted after the rear liner.

#### Black Glass & Brick Effect Side Liners:

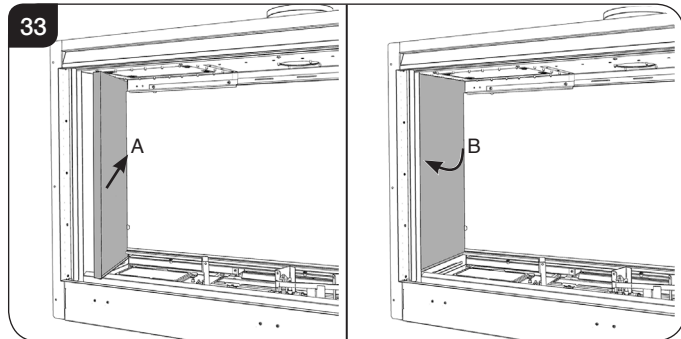
8.8 Carefully place the bottom of the liner onto the side liner lip and tilt upwards into position, see Diagram 32.



# Installation Instructions

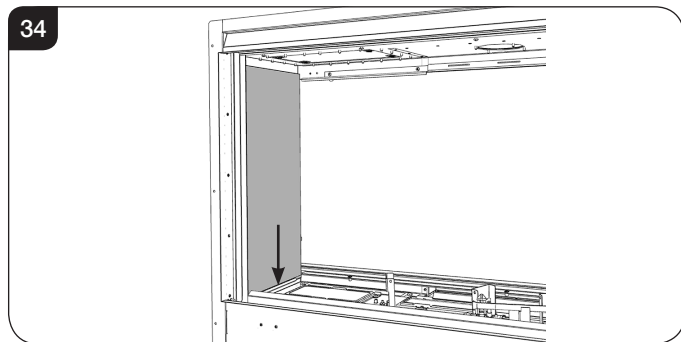
## Ledgestone Side Liners:

- 8.9 Lift the liner and angle the rear edge into the rear corner of the firebox, see Diagram 33, Arrow A.



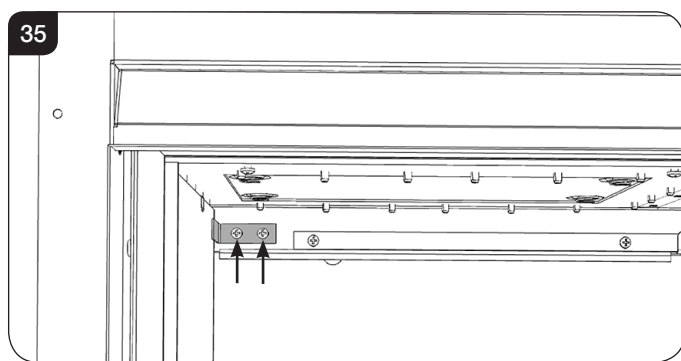
Level the liner so it sits flat against the side of the appliance, see Diagram 33, Arrow B.

- 8.10 Lower the liner so it rests in the liner lip, see Diagram 34.



## All Models:

- 8.11 Place the side liner brackets in position and fix in place, see Diagram 35.



Repeat for both sides.

## 9. Fitting the Main Control Assembly



**Please note: If you intend to install a MyFire Wi-Fi App with the Reflex 105 it is easier to attach the wire for the receiver box at this stage.**

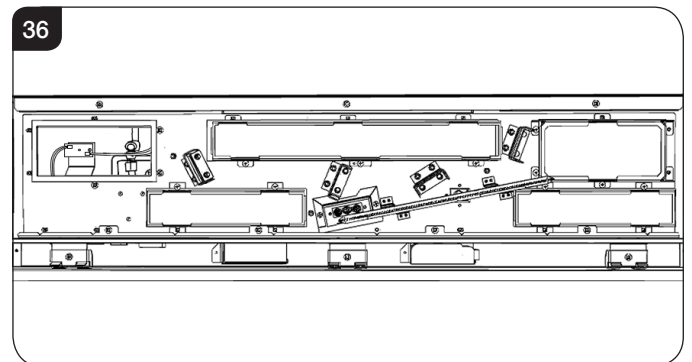
**The module and wires for the App can be fitted after installation but access is easier with the Control Box exposed.**

**See Section 16 for details.**

- 9.1 Carefully tilt the front of the Main Control Assembly into the appliance ensuring the LED cable and Receiver cable are fed under the front of the firebox aperture and are not trapped.

**NOTE: If fitting a Wi-Fi module, the Wi-Fi cable must also be fed under the firebox aperture.**

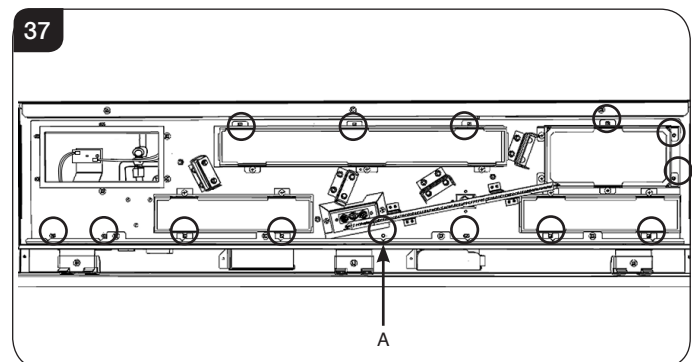
Lower the rear of the Control Assembly into position.



- 9.2 Reconnect the Receiver Lead to the Module, see Diagram 36.

- 9.3 Secure the Main Control Assembly with the following screws, see Diagram 37.

**NOTE: The centre screw must be fitted first to set the alignment, see Diagram 37 A.**

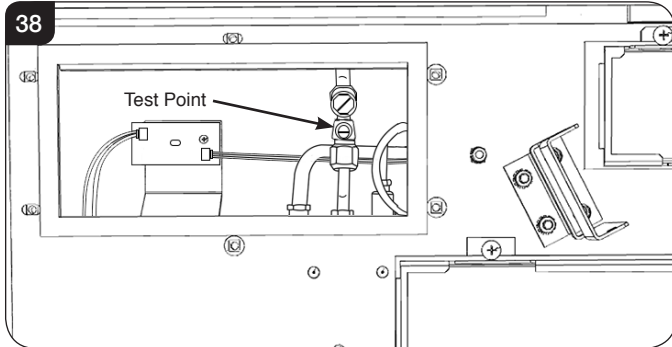


- 9.4 Connect power and the gas supply to the appliance.

# Installation Instructions

## 10. Gas Soundness Pressure Check

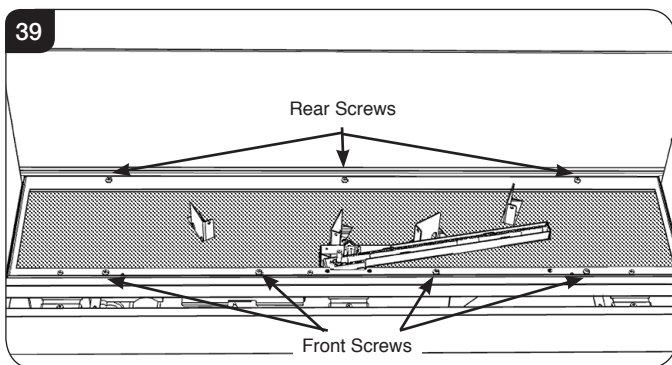
- 10.1 Connect a suitable pressure gauge to the test point located on the inlet fitting. Turn the gas supply on.



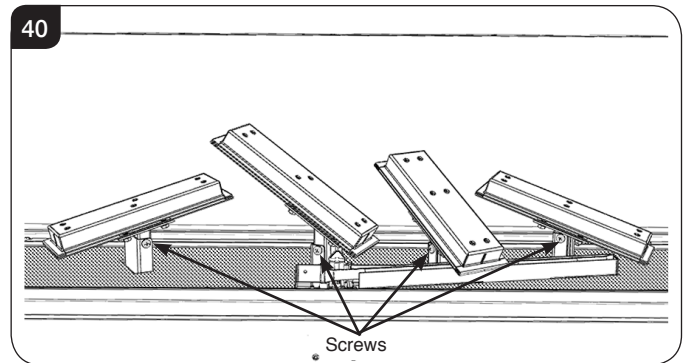
- 10.2 Remove the fixing screws from the burners and loosely place on the appropriate injectors.
- 10.3 Light the appliance and check all gas joints for possible leaks. Turn the appliance to maximum and check that the supply pressure is as stated on the databadge. Turn the appliance off. Replace the test point screw and check the test point for leaks.
- 10.4 Remove the burners. Take care as the burners will be hot.
- 10.5 Replace the access panel, securing with the 6 screws.

## 11. Assembling the Fuel Bed

- 11.1 Carefully lower the Mesh Tray over the Log Burner Brackets, Pilot and Cross Lighter.
- 11.2 Replace the 4 screws at the front of the Mesh Tray and 3 at the rear, see Diagram 39.



- 11.3 Position the far left hand Log Burner so that the right hand side is angled up towards the centre of the firebox and the screw hole is positioned at the front, see Diagram 40.



- 11.4 Position the centre right hand Log Burner so that the left hand side is angled up towards the centre of the firebox and the screw hole is positioned at the front, see Diagram 40.  
**NOTE: THIS BURNER IS SHORTER THAN THE OTHER THREE.**
- 11.5 Position the centre left and far right Log Burners, so that the screw holes are positioned at the front, see Diagram 38.
- 11.6 Secure the burners with the 4 screws provided.  
**Only use M4x6 Screws to secure the burners.**
- NOTE:** Some burners are pre-fitted with Aeration plates. These are non-serviceable and **MUST NOT** be altered.

## 12. Arrangement of Fuel Bed Components

### Advice on handling and disposal of fire ceramics



The fuel effect and side panels in this appliance are made from Refractory Ceramic Fibre (RCF), a material which is commonly used for this application.

Protective clothing is not required when handling these articles, but we recommend you follow normal hygiene rules of not smoking, eating or drinking in the work area and always wash your hands before eating or drinking.

To ensure that the release of RCF fibres are kept to a minimum, during installation and servicing a HEPA filtered vacuum is recommended to remove any dust accumulated in and around the appliance before and after working on it. When servicing the appliance it is recommended that the replaced items are not broken up, but are sealed within heavy duty polythene bags and labelled as RCF waste.

RCF waste is classed as stable, non-reactive hazardous waste and may be disposed of at a licensed landfill site.

Excessive exposure to these materials may cause temporary irritation to eyes, skin and respiratory tract; wash hands thoroughly after handling the material.

# Installation Instructions

**TAKE CARE NOT TO SPILL THE FUEL EFFECT INTO THE PILOT OR CROSS LIGHTER AREA.**

**ONLY GENUINE GAZCO PARTS CAN BE USED IN THIS APPLIANCE.**

Use the entirety of supplied Amber Effect.

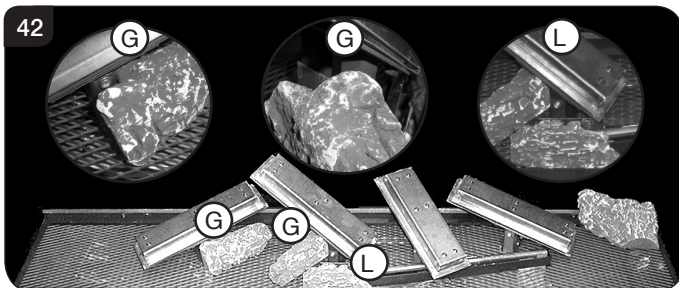
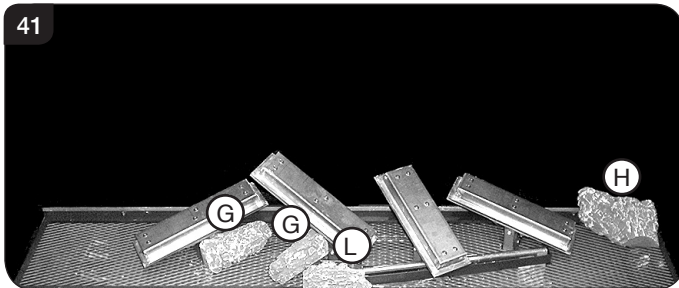
The Shale Effect is supplied as large pieces which will need to be broken into 2-3 smaller shards before placing onto the fuel bed. It is not necessary to use all the supplied Shale Effect.

## 13. Log Layout

**LOGS MUST BE POSITIONED ACCORDING TO THE FOLLOWING INSTRUCTIONS TO GIVE THE CORRECT FLAME EFFECT.**

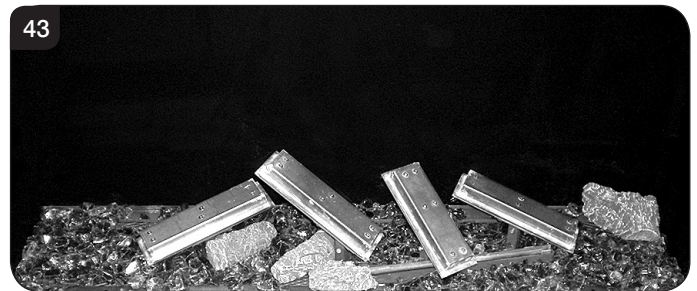
**THE 4 BURNER LOGS MUST LOCATE CORRECTLY ONTO THE LOG BURNERS. ENSURE THE AMBER EFFECT DOES NOT CAUSE THE LOGS TO LIFT OFF THE BURNER.**

- 13.1 Ensure the Burner Tray and Log Burners are clean and free from any debris.
- 13.2 The main components are clearly individually labelled.
- 13.3 Place the Large Ember H on the right hand side of the fuel bed, see Diagram 41.



- 13.4 Place the cutout of Ember G against the left hand Log Burner bracket, in the position shown in Diagrams 42.
- 13.5 Place the cutout of the second Ember G against the centre left Log Burner bracket, in the position shown in Diagrams 42.
- 13.6 Place the cutout of Ember L around front of the Pilot, see Diagrams 42.

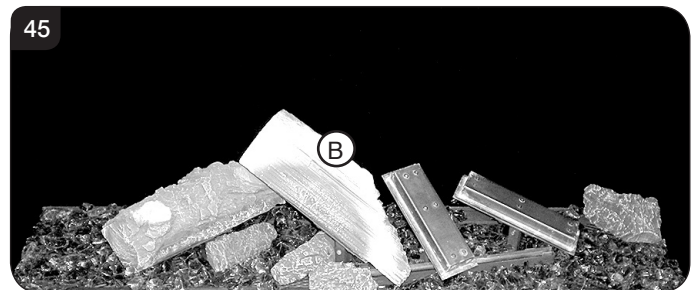
- 13.7 Evenly spread some of the amber effect across the mesh bed, leaving space under the lower edge of the Log Burners, see Diagram 43.



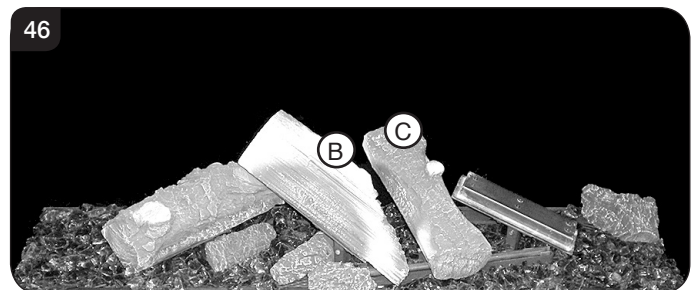
- 13.8 From the back carefully slide Log A under the left hand side of the centre Log Burner, see Diagram 44.



- 13.9 Place Log B on the centre left Log Burner in the position shown in Diagram 45.

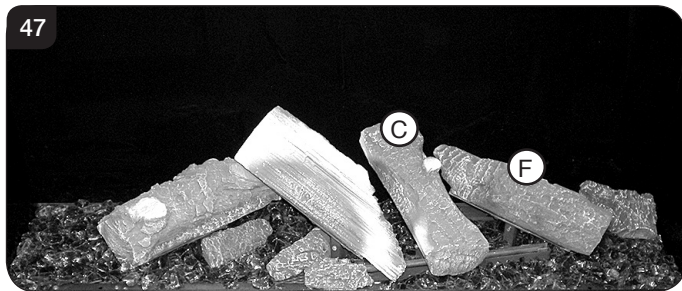


- 13.10 Place Log C on the centre right hand Log Burner in the position shown in Diagram 46.



# Installation Instructions

- 13.11 Place Log F on the right hand Log burner in the position shown in Diagram 47.

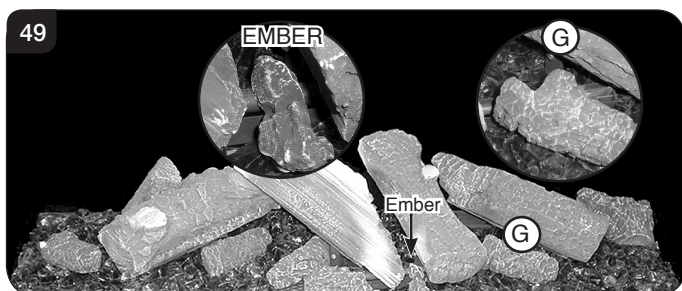


- 13.12 Place the Log M on the left hand side of the fuel bed with the right hand end positioned in the groove on Log A, see Diagram 48.

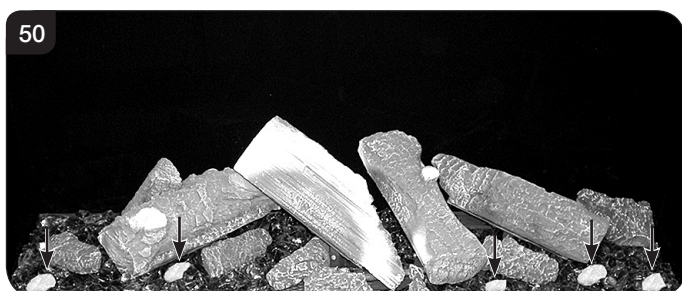
Position Large Ember J on the left hand side, leaving a gap between the ember and the side panel.



- 13.13 Place the cutout of final Ember G against the right hand Log Burner bracket, and the small ember between logs B & C, see Diagram 49.  
**DO NOT PLACE EMBERS OVER THE BURNER.**



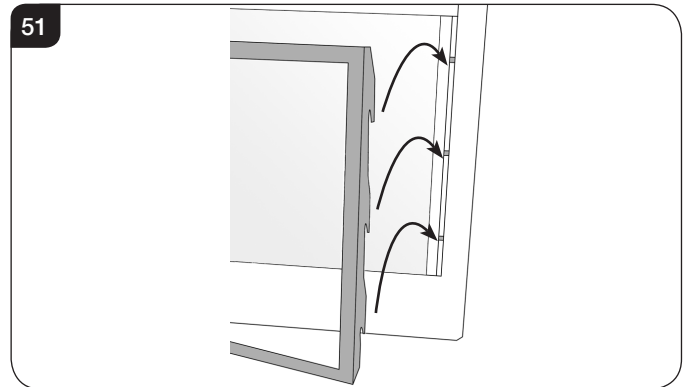
- 13.14 Spread the remaining amber effect between the logs and embers to cover the fuel bed.
- 13.15 Evenly spread a small amount of the shale effect across the mesh bed to fill any gaps, see Diagram 50. It is not necessary to use all the supplied Shale Effect.



## 14. Completion of Assembly

**Ensure that the rope seal on the back of the glass frame is intact.**

- 14.1 To replace the glass frame, position so the hooks on the back of the frame fit over the side pins, see Diagram 51.



- 14.2 Push the handle down.
- 14.3 Replace the screws. As the screws are tightened the glass frame is pulled down against the hooks and forms a seal. **Replace ALL of the securing screws ensuring that a screw is present in all fixing slots.**



**UNDER NO CIRCUMSTANCES SHOULD THE APPLIANCE BE USED IF ANY OF THE GLASS FRAME RETAINING SCREWS ARE LOOSE OR MISSING.**

- 14.4 Replace the lower trim.
- 14.5 Replace the 2 magnetic side trims.
- NEVER OPERATE THE APPLIANCE WHEN THE GLASS PANEL IS REMOVED OR BROKEN.**
- 14.6 Replace the decorative front by referring to the separate leaflet supplied with the front.

**NOTE: ENSURE THAT THE LOGS ARE POSITIONED AS ABOVE. ONLY USE THE CORRECT AMOUNT OF LOGS AS SPECIFIED IN THE DIAGRAMS.**

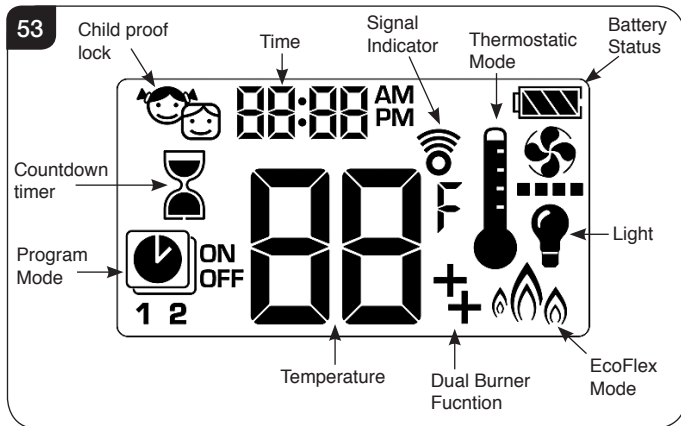
## 15. Lighting the Appliance

The appliance is operated by thermostatic and programmable remote control.




# Installation Instructions

Via the remote it is possible to control the following features:



## Turning the appliance On

- 15.1 The handset controls the appliance from pilot ignition through to shut down.

To turn the fire on press the  button until two short signals and a series of blinking lines on the handset confirm the start of the ignition sequence and there will be a clicking sound as the valve opens on the appliance.

**The pilot will ignite and the remote is now in Manual Mode.**

**The first time the appliance is turned on it will light in the High position.**


**IMPORTANT: YELLOW FLAMES TYPICALLY APPEAR WHEN THE APPLIANCE HAS REACHED NORMAL OPERATING TEMPERATURE. THIS CAN TAKE UP TO 30 MINUTES.**

**WARNING: IF THE APPLIANCE FAILS TO LIGHT OR BECOMES EXTINGUISHED IN USE, WAIT 3 MINUTES BEFORE ATTEMPTING TO RELIGHT.**

- 15.2 There are 4 different modes available for controlling and operating the appliance:

1. Manual Mode
2. Thermostatic Mode (Automatic)
3. Program Mode (Automatic)
4. EcoFlex Mode (Automatic)

- 15.3 In **MANUAL MODE** you can:

- turn on the main burner using the  button.
- regulate the flame from high to low and back.
- turn off the burner leaving just the pilot burning.

In **THERMOSTATIC MODE (Automatic)** you can:

- set the room temperature so the thermostat in the remote automatically maintains that temperature.

In **PROGRAM MODE (Automatic)** the fire:

- turns on and off according to the set time periods.
- automatically regulates the room temperature during the set periods.

In **ECOFLEX MODE (Automatic)** the fire:

- modulates the flame height between high and low in response to room temperature. One cycle lasts for 20 minutes.

**NOTE:** When operating the fire in Thermostatic or Program mode, the pilot remains lit and the fire then automatically switches on to bring the room to the set temperature whether or not you are in the room.

**NEVER LEAVE ANY COMBUSTIBLE MATERIALS WITHIN 1 METRE OF THE FRONT OF THE APPLIANCE.**




## Turning the appliance Off (Standy By)

- 15.4 Press and hold the  button to turn the appliance off.

**NOTE:** There is a 5 second delay before the next ignition is possible.


## Child Proof Lock

**Turning the Child Lock on.**

Press the  and  buttons simultaneously.  will be displayed and the handset is rendered inoperable except for the Off function.

**Turning the Child Lock off.**

Press the  and  buttons simultaneously to deactivate.

 will disappear.

## Troubleshooting

**IMPORTANT:** In the unlikely event that the handset fails to communicate correctly with the appliance it may be necessary to turn off the gas supply at the isolation valve until any problems can be resolved.

The gas meter and isolation valve can be located outside in a meter box, under the stairs, beneath the kitchen sink or in the garage. Whilst this list is not exhaustive, it is important to be able to identify the location of the valve in case of any gas emergency.

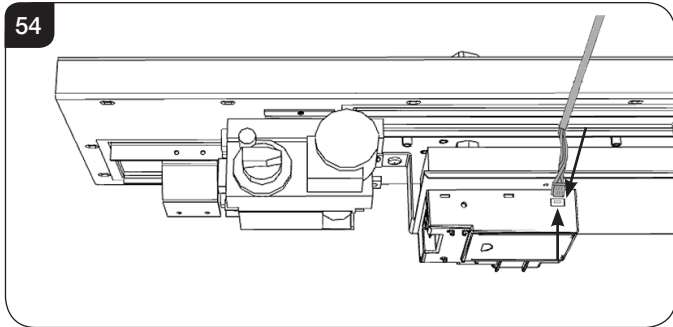
To turn off the gas supply, simply turn the handle so the lever is at 90 degrees to the upright gas pipe.

If you smell gas, open doors and windows and never operate any electrical switches. Immediately call the Gas Emergency Services on 0800 111 999.

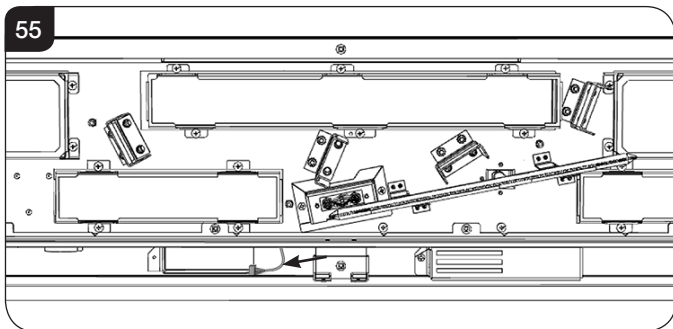
# Installation Instructions

## 16. MyFire Wi-Fi Installation

- 16.1 Remove the Glass Frame, see Servicing Instructions, Section 2.
- 16.2 Remove the Main Burners, Mesh, and Control Assembly, see Servicing Instructions, Section 4.
- 16.3 Carefully turn the Control Assembly over and connect the module lead to the receiver, see Diagram 54.

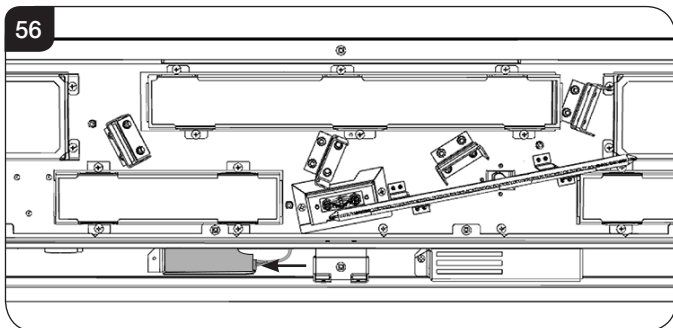


- 16.4 Replace the Control Assembly ensuring the module lead runs under the aperture, see Diagram 55.



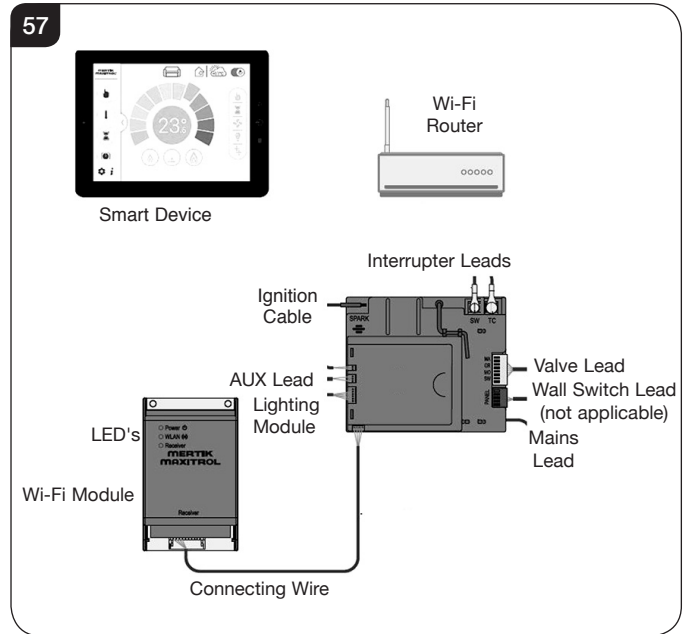
- 16.5 Carefully position the Wi-Fi Module in the module bracket, ensuring the correct orientation, see Diagram 57.

Connect the module lead to the Wi-Fi module, see Diagram 56.



**NOTE:** Ensure none of the wires are snagged or caught on any internal components.

- 16.6 This should complete the wiring circuit as shown, see Diagram 57.



**Follow the steps listed in the MyFire App Setup manual PR2467 to connect a smart device to the fire.**

- 16.7 Replace the Glass Frame and trims.

The installation is now complete.

**!** Once the Wi-Fi module has been installed and connected to a power source there is a 24 hour window to complete the setup process on the MyFire app.

If setup is not completed in this window the Wi-Fi module will have to be manually reset to complete setup, see Section 16 & PR2467 MyFire App Setup.

Once fitted, remove the trims and the glass frame to access the Wi-Fi module.



# Installation Instructions

## 17. MyFire Wi-Fi Set Up & Troubleshooting

17.1 The MyFire Wi-Fi box must be wired according to the MyFire set up diagram (see Diagram 55) and connected to the receiver, which is in turn connected to the mains power.

Ensure the device is running the most up to date operating system as older models may not be compatible with the MyFire App.

After 30 seconds the MyFire Box goes into Access Point Mode (Green LED flashes). See MyFire App instructions supplied and configure the router.

17.2 The following things can affect the Wi-Fi signal on the appliance:

1. Multiple users on the same Wi-Fi channel may interfere with the data transfer. Press the reset button on the MyFire Wi-Fi box for 1 second to change the current channel.

2. If the MyFire Wi-Fi box is not connected to the receiver or is not used it will leave Access Point Mode after 24 hours.

3. If there are multiple fireplaces in the household using MyFire Wi-Fi boxes there must be a minimum of 600mm between them to avoid interference.

4. If there are any changes to the home network then the MyFire Wi-Fi set up must be repeated.

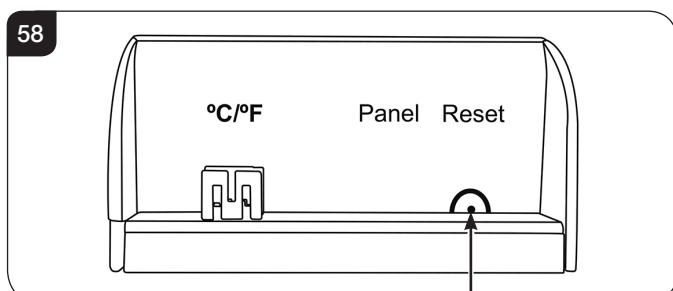
Quick Reference Table - for LED location see Diagram 57.

LED Indicator for MyFire Wi-Fi box			
Label	LED		Status
Power	Blue	On	Power On
		Off	Power Off
WLAN	Green	On	Connected to home network (Wi-Fi Router)
		Off	Not connected to home network (Wi-Fi Router)
		Flashing	MyFire Wi-Fi Box in Access Point Mode
Receiver	Blue	On	Receiver connected
		Off	No receiver connected or connection lost
All LEDs		Flashing	Internal Configuration

17.3 It may be necessary to reset the MyFire Wi-Fi box using a paperclip or similar, see Diagram 58.

The table below shows the length of time required for each reset and the confirmation signals.

Press Reset Button	LED Status Blue Power LED	Function
1 Sec	Continuously flashes every ½ second	Activates Access Point Mode for 10mins (connect MyFire Wi-Fi module to home network). Simultaneously the Wi-Fi channel changes.
5 Secs	Two rapid flashes every 1 second	System Reset.
10 Secs	Flashes every 100 milliseconds (Continuous)	Restore factory firmware (MyFire Wi-Fi module will set to default after reboot); takes up to 2 minutes.
20 Secs	Flashes every 50 milliseconds (Continuous)	Restores factory firmware and erases all data not locked. (MyFire Wi-Fi module will set to default after reboot); takes up to 2 minutes.



# Commissioning

## 1. Commissioning

- 1.1 Complete the Commissioning Checklist at the front of this manual covering:
  - Thermocouple soundness checks.  
This is to include ensuring the thermocouple is secure on the pilot bracket assembly, lead connection and integrity.
  - Flue checks
  - Gas checks
  - Log layout - flame picture

For working pressure test, refer to Installation Instructions Section 10.
- 1.2 Ensure all safety checks listed in the Commissioning Section are completed, paying particular attention to the glass panel checks and securing of the glass frame.
- 1.3 Upon completion of the commissioning and testing of the installation and correct operation of the appliance, the installer must instruct the user how to operate the appliance.
- 1.4 Guide the user through the User Instructions paying particular attention to:
  - a) Regular servicing (Section 6 of the User Instructions).
  - b) Ventilation (Section 7 of the User Instructions) - point out the ventilation positions where applicable.
  - c) Hot surfaces (Section 9 of the User Instructions).
  - d) How the appliance works with the remote control handset and the modes of operation (Section 2 of the User Instructions).
  - e) How to change settings in the auto mode and program modes of operation.
  - f) What to do if the appliance fails to operate (Section 10 of the User Instructions).

## 2. Reprogramming handset/Control box

- 2.1 To access the control box see Servicing Instructions, Section 4 - Removing the Log Burners and Main Control Assembly.
- 2.2 Press and hold the reset button on the control box until you hear two signals. After the second longer signal:
- 2.3 Release the reset button and within 20 seconds:
- 2.4 Press the DOWN button on the handset until you hear two additional short signals confirming the new code is set. If there is a single long signal the code learning sequence has failed or the wiring is incorrect.  
  
**Note: When pressing the DOWN button on the handset if two beeps are not heard:**
- 2.5 Release the DOWN button and CONN will be displayed on the handset screen. An 8 second count will start on the handset screen followed by two short beeps confirming the new code is set. If there is a single long signal the code learning sequence has failed or the wiring is incorrect.

# Servicing Instructions

## Servicing/Fault Finding Charts

### 1. Servicing Requirements

**IMPORTANT – The glass panel on this appliance should be checked for any signs of damage on the front face of the glass panel (scratches, scores, cracks or other surface defects). If damage is observed, the glass panel must be replaced and the appliance must not be used until a replacement is installed. Under no circumstances should the appliance be used if any damage is observed. Please isolate the appliance until a replacement glass panel has been obtained and installed. Replacement glass panels can be purchased from Gazco via the retailer from which the appliance was purchased or any other Gazco distributor.**

This appliance must be serviced at least once a year by a competent person.

All tests must be carried out in accordance with the current Gas Safe recommendations.

#### 1.1 Before Testing:

- Conduct a gas soundness test for the property ensuring there are no leaks before servicing.
- Check the operation of the appliance before testing.

#### 1.2 Special checks:

- Clean the burner using a vacuum cleaner with a soft brush attachment. Ensure all debris is removed from the burner ports.
- Clean away lint or fluff from the pilot.
- Clean away lint or fluff from under the burner.
- Check the spark gap on the pilot is correct.
- Check that the Pilot ignites correctly and Main Burner cross lights smoothly.
- Ensure that the glass frame is secured correctly and that all retaining screws are in place.

#### 1.3 Correct any faults found during the initial test.

- 1.4 Re-commission the appliance in accordance with Commissioning Procedures of these instructions.
- 1.5 Advise the customer of any remedial work undertaken.

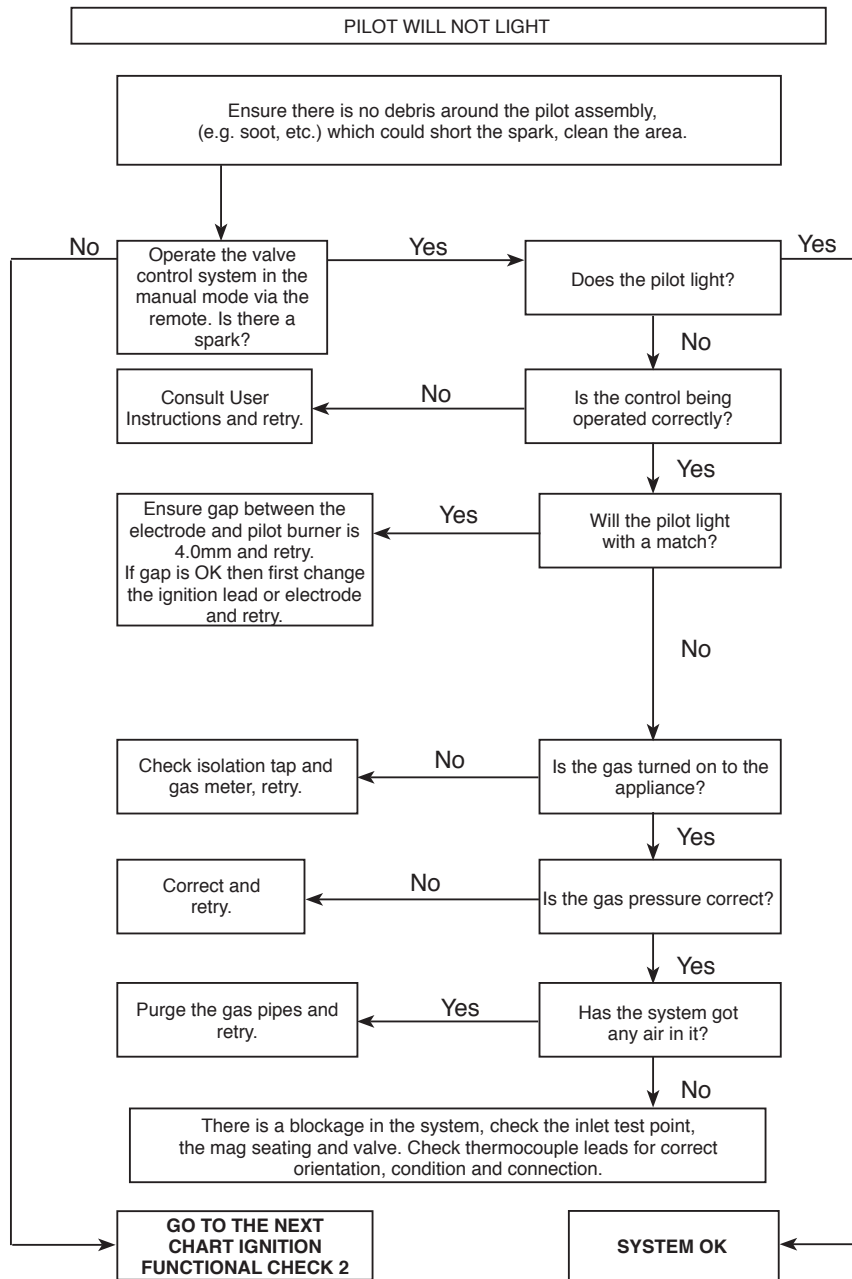
#### Electronic Control Valve Fault Analysis

Symptom	Cause	Remedy
Frequent beeps for 3 seconds after operation request	Loose/damaged wire	Check interrupter block and wires
No ignition, no tone, motor turns slightly when operated	Receiver board damaged	Replace receiver
No pilot flame and control continues to spark	Thermocouple circuit wired incorrectly	Correct wiring
Pilot lights, control continues to spark, valve shuts down after 10 - 30 seconds	1. No spark at pilot burner 2. Loose/damaged wire	1. Rectify spark at pilot burner 2. Check interrupter and wires
Rear burner can not be turned off - valve can be heard to operate.	Faulty Solenoid Valve	Replace Solenoid Valve
Rear burner can not be turned off - no beep or noise from solenoid	1. Faulty wire/ wire not connected 2. Faulty receiver	1. Replace wire/ solenoid 2. Replace receiver

# Servicing Instructions

## Fault Finding Charts

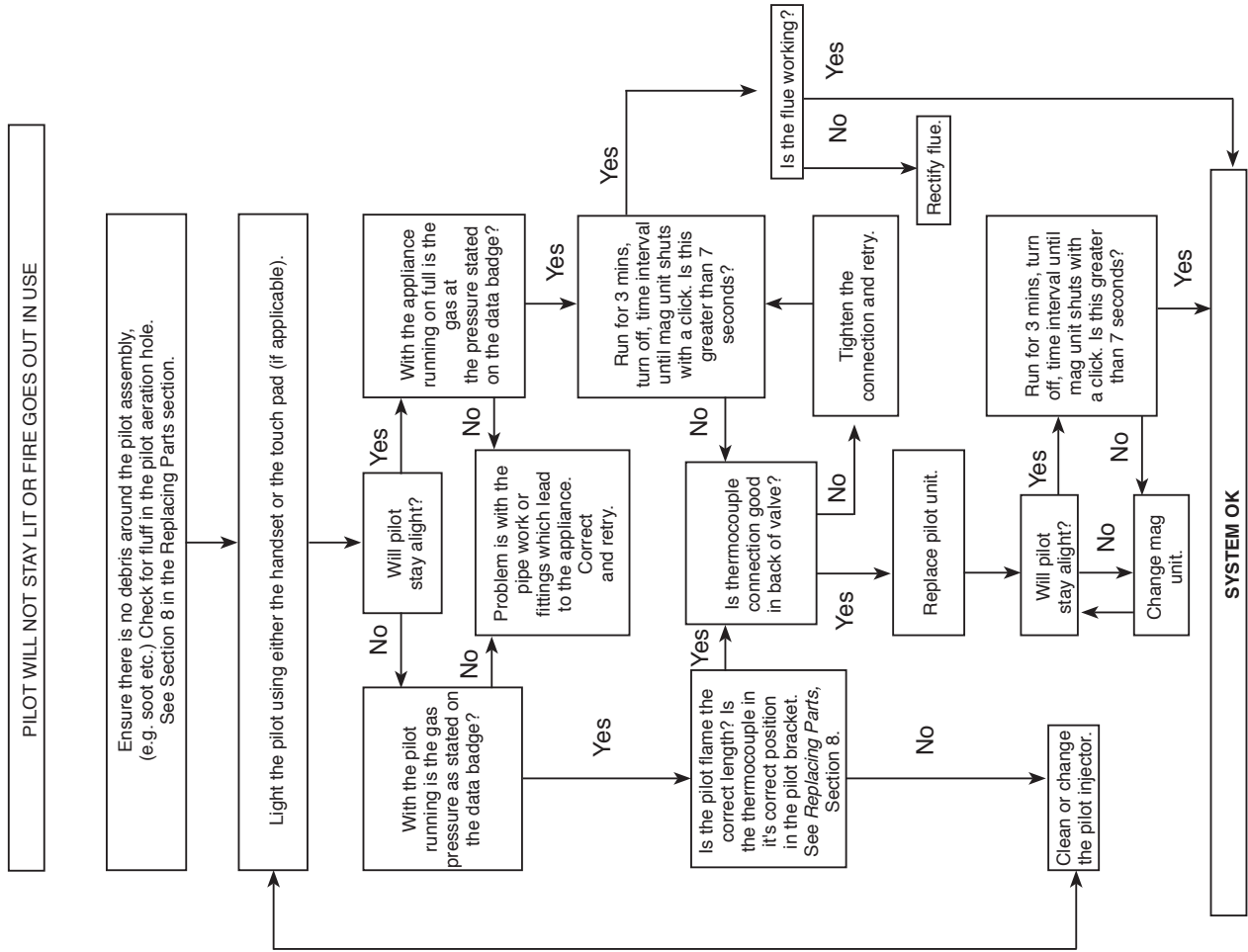
### IGNITION FUNCTIONAL CHECK 1



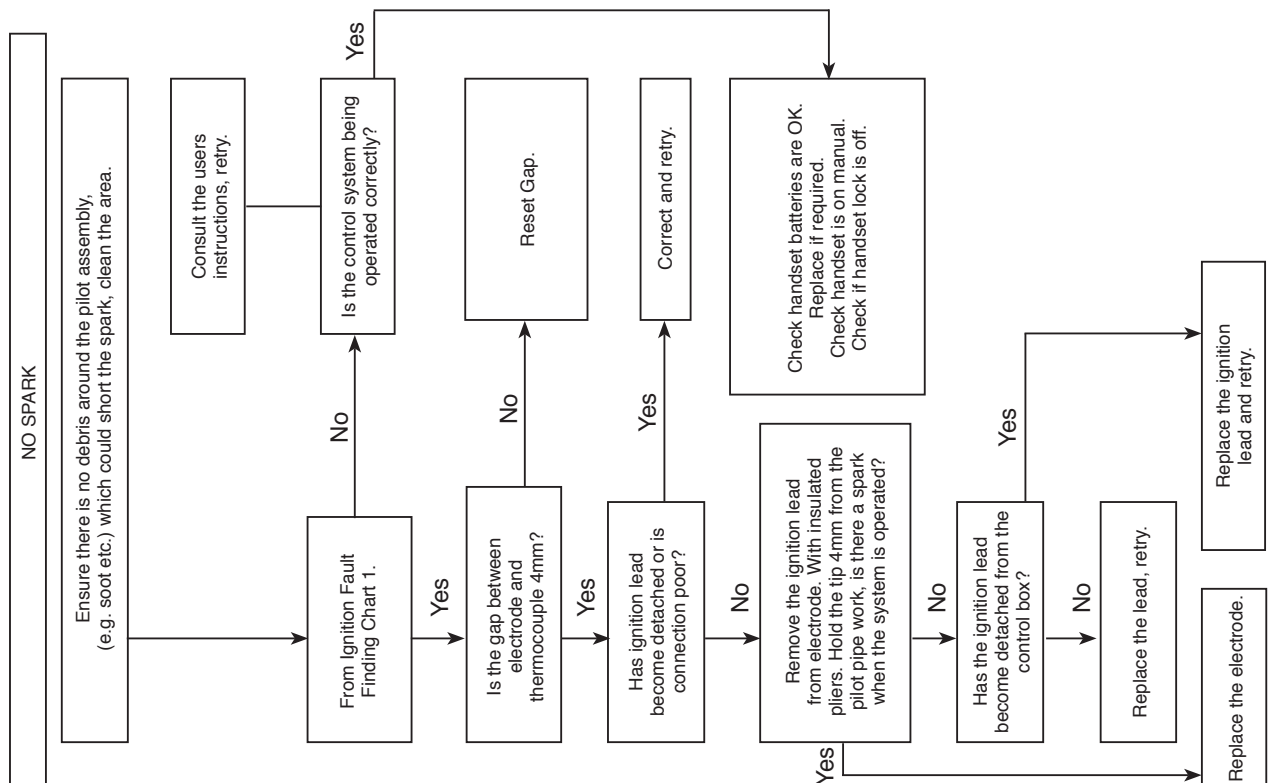
# Servicing Instructions

## Fault Finding Charts

### FLAME FAILURE FUNCTIONAL CHECK 3



### IGNITION FUNCTIONAL CHECK 2



# Servicing Instructions - Replacing Parts

## 1. General

1.1 All main components can be replaced without removing the appliance from its installation.

1.2 **DISCONNECT MAINS ELECTRICAL SUPPLY AT THE ACCESSIBLE PLUG OR DEDICATED SWITCH BEFORE SERVICING THE APPLIANCE.**

**IT IS ESSENTIAL THAT THE GAS SUPPLY TO THE APPLIANCE IS TURNED OFF AT THE ISOLATION DEVICE BEFORE PROCEEDING FURTHER.**

1.3 It will be necessary to remove the complete burner module before any of the components can be serviced.



**DURING SERVICING OF THIS APPLIANCE IT MAY BE NECESSARY TO CUT CABLE TIES IN ORDER TO ACCESS AND REMOVE SOME OF THE PARTS. THESE MUST BE REPLACED WHEN REASSEMBLING THE APPLIANCE.**

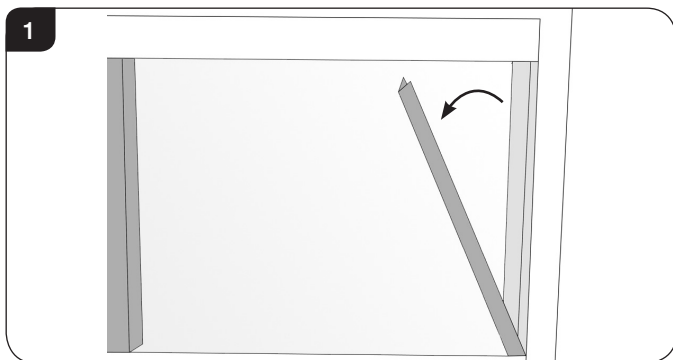


**AFTER SERVICING ENSURE THAT ALL CONNECTIONS ARE REPLACED BEFORE REPLACING THE MESH TRAY.**

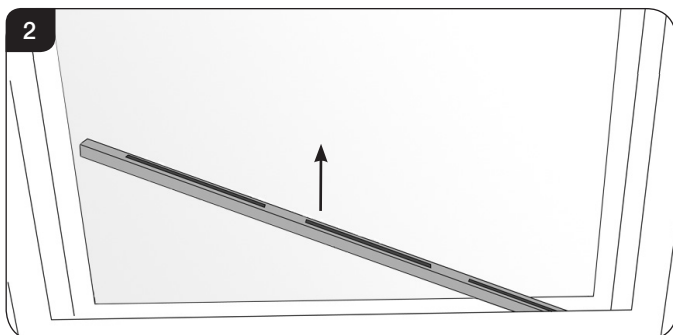
## 2. Removing the Glass Frame

2.1 To remove the decorative front from the appliance please refer to the separate instructions supplied with the front.

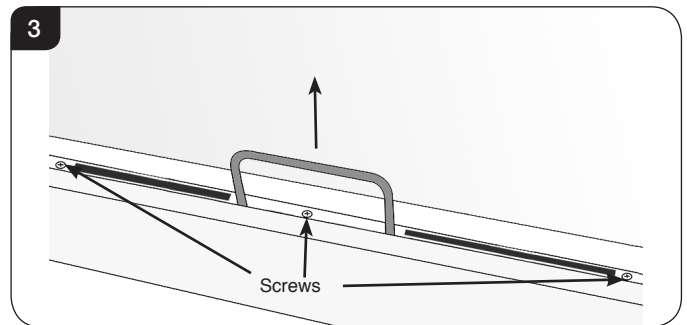
2.2 Remove the glass frame by removing the 2 side trims, see Diagram 1. These are held on by magnets.



2.3 Lift out the bottom slotted trim, see Diagram 2.

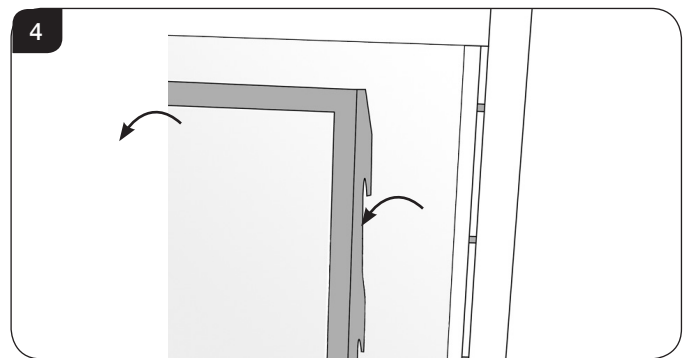


2.4 Remove the 3 screws at the base of the door, see Diagram 3.



2.5 Pull up the handle at the front, see Diagram 3.

2.6 Whilst supporting the top, lift the door using the handle, up and over the lower edge, see Diagram 4.



**When refitting the glass frame ensure that the rope seal on the back of the frame is intact.**

2.7 To replace the glass frame, position so the hooks on the back of the frame fit over the side pins, see Diagram 4.

2.8 Push the handle down.

2.9 Replace the screws. As the screws are tightened the glass frame is pulled down against the hooks and forms a seal. **Replace ALL of the securing screws ensuring that a screw is present in all fixing slots.**



**UNDER NO CIRCUMSTANCES SHOULD THE APPLIANCE BE USED IF ANY OF THE GLASS FRAME RETAINING SCREWS ARE LOOSE OR MISSING.**

2.10 Replace the lower trim.

2.11 Replace the 2 magnetic side trims.

**NEVER OPERATE THE APPLIANCE WHEN THE GLASS PANEL IS REMOVED OR BROKEN.**

2.12 The glass frame must be refitted to the appliance following cleaning or servicing.

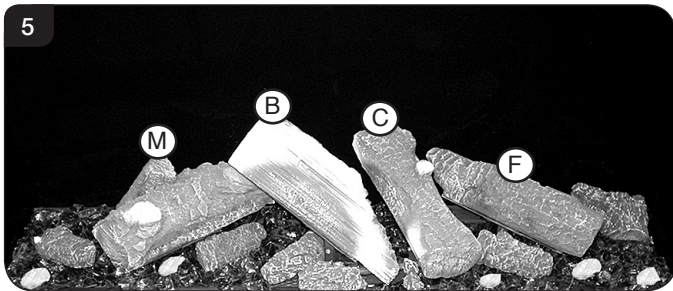
# Servicing Instructions - Replacing Parts

## 3. Removing the Fuel Effect

The fuel effect consists of 6 different components.

To avoid damage Logs A, B, C, F and M should be removed in the following order and placed on a dry, clean surface.

- 3.1 Remove Log M from the groove in Log A, see Diagram 5.
- 3.2 Remove Log B from the Log Burner, see Diagram 5.



- 3.3 Remove Log C & F from the Log Burners, see Diagram 5.
- 3.4 Slide Log A backwards, from under the centre Log Burner, to remove, see Diagram 6.



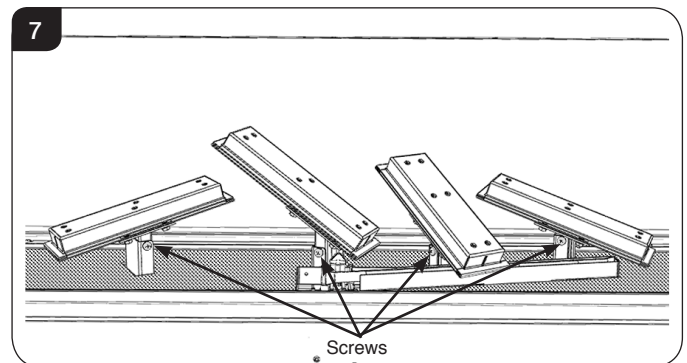
- 3.5 Remove the remaining components:
  1. Large Embers J & H
  2. Ember G (x3) & Ember L.
  3. Shale Effect
  4. Amber Effect

**Keep each component separate for ease of replacing.**

**When replacing the fuel effects see Installation Instructions Section 12 for layout instructions.**

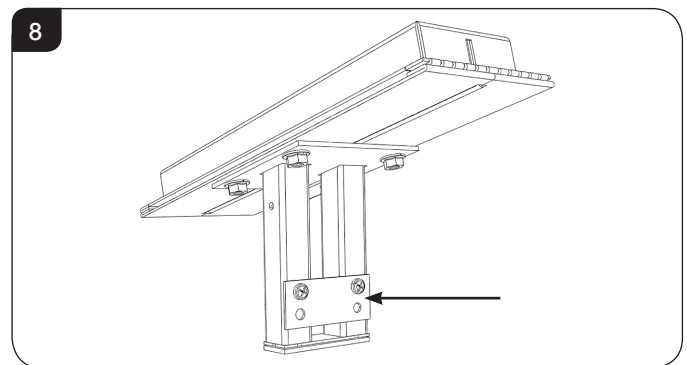
## 4. Removing the Log Burners and Main Control Assembly

- 4.1 To remove the decorative front from the appliance please refer to the separate instructions supplied.
- 4.2 Remove the Glass Frame, see Section 2.
- 4.3 Remove the Fuel Effect, see Section 3.
- 4.4 Remove the 4 M4x6 screws from the base of the 4 Log Burners, see Diagram 7.

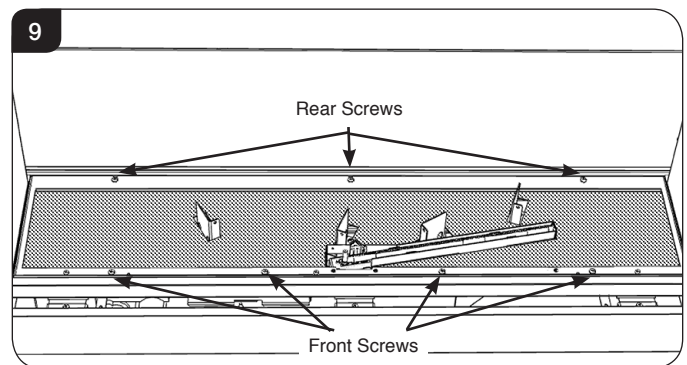


- 4.5 Lift the 4 Log Burners to remove.

**NOTE:** Some burners are pre-fitted with Aeration plates. These are non-serviceable and **MUST NOT** be altered, see Diagram 8.



- 4.6 Remove the 4 screws from the front of the Mesh Tray and the 3 from the rear, see Diagram 9.

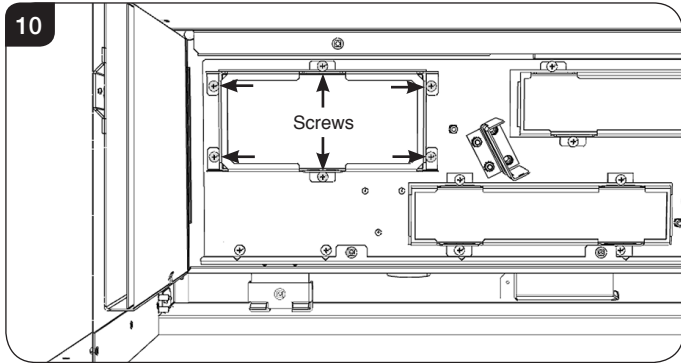


# Servicing Instructions - Replacing Parts

- 4.7 Carefully lift the Mesh Tray over the Log Burner Brackets, Pilot and Cross Lighter.

**WHEN REPLACING THE MESH TRAY TAKE CARE NOT TO DAMAGE THE LOG BURNER BRACKETS, PILOT AND CROSS LIGHTER. REPLACE THE FRONT SCREWS FIRST BEFORE TIGHTENING THE REAR SCREWS.**

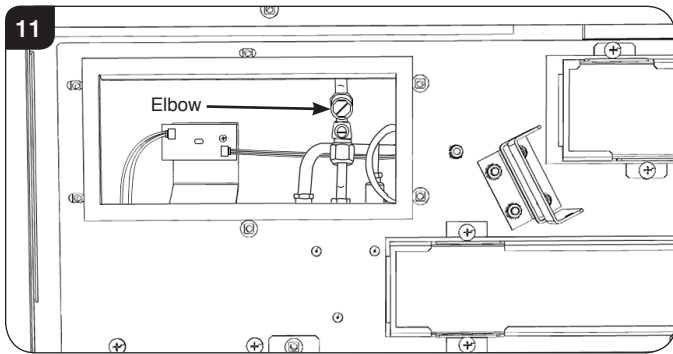
- 4.8 Remove through the front of the appliance.  
4.9 Remove the 6 screws to remove the Access Panel, see Diagram 10.



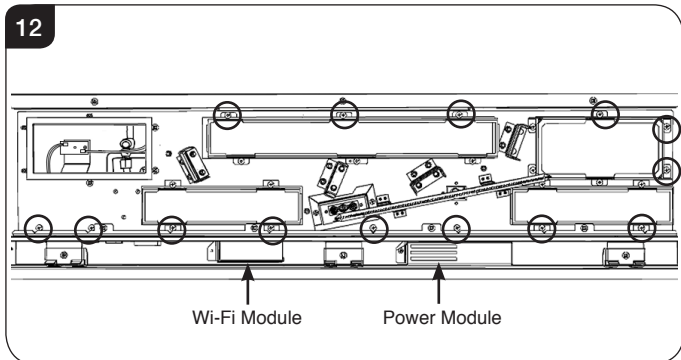
- 4.10 Turn the gas supply off at the isolation device.

**HAVE YOU ISOLATED THE GAS SUPPLY?**

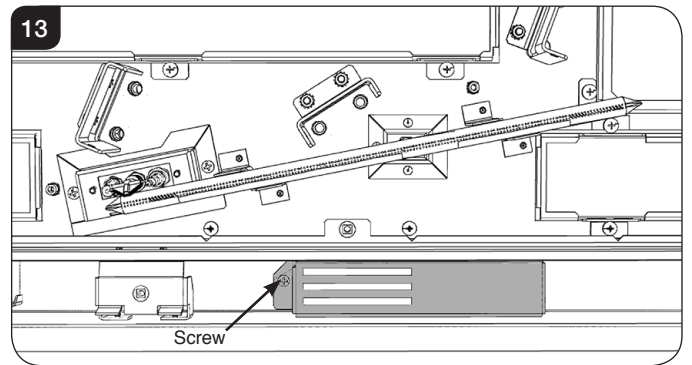
- 4.11 Disconnect the isolating device from the appliance inlet pipe to isolate the gas supply, see Diagram 11.



- 4.12 Remove the remaining screws securing the Main Control Assembly to the firebox, see Diagram 12.



- 4.13 Remove the screw from the module bracket and carefully lift to remove, see Diagram 13.



- 4.14 Disconnect the LED lead and the Receiver lead from the power module, if fitted, disconnect the Wi-Fi lead from the Wi-Fi module (positioned left of the power module).

The Main Control Assembly can now be removed.

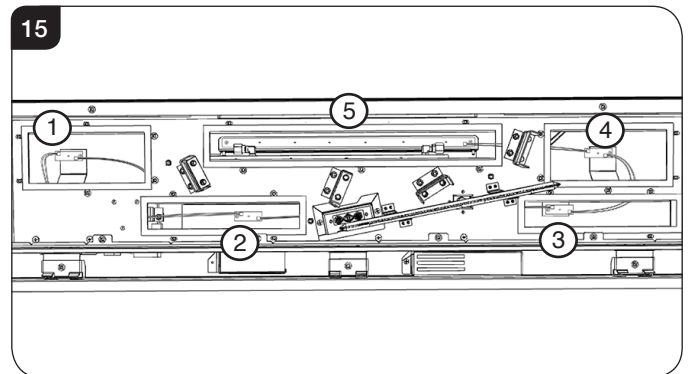
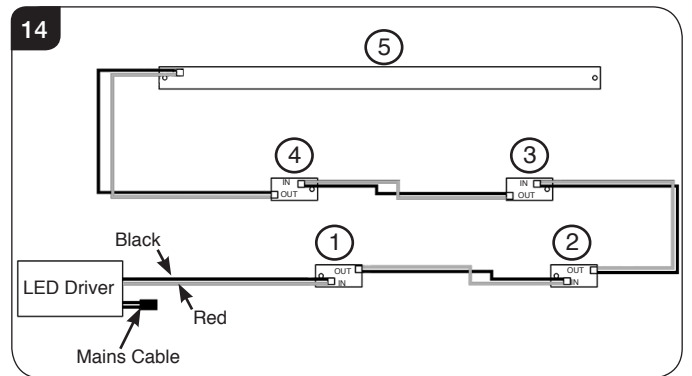
- 4.15 Replace in reverse order.



**AFTER SERVICING ENSURE THAT ALL CONNECTIONS ARE REPLACED BEFORE REPLACING THE MESH TRAY.**

## 5. Replacing the LED Circuit

There are 5 LED boards, which can be replaced individually, see Diagrams 14 & 15.



NOTE: Ensure the correct orientation when replacing.



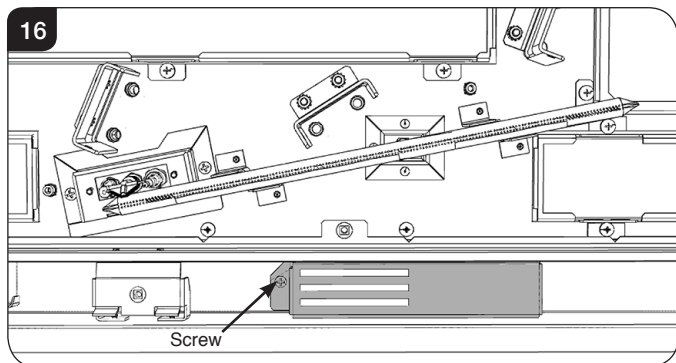
# Servicing Instructions - Replacing Parts



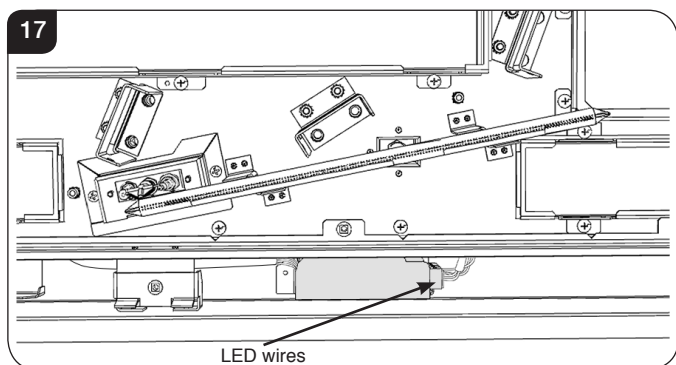
**THE LED'S ARE FRAGILE. HANDLE WITH CARE. ONLY HOLD THE LED BOARDS BY THE EDGES TO AVOID CONTACT WITH THE TOP OF THE LED'S.**

**AVOID CATCHING ANY DELICATE WIRES WHEN REPLACING THE SCREWS.**

- 5.1 Remove the Log Burners, Fuel effect, and Mesh tray, see Section 4.
- 5.2 Remove the screw from the module bracket and carefully lift to remove, see Diagram 16.



- 5.3 Disconnect the LED Mains Lead Plug from the Module, see Diagram 17.



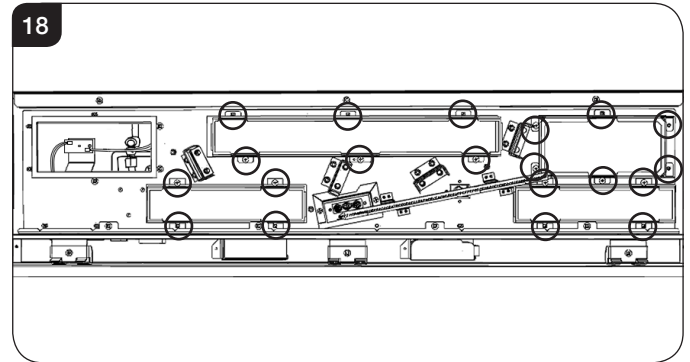
The LED circuit consists of three components, which can be individually changed, these are:

- 5a) Front LED Boards.
- 5b) Rear LED Bar.
- 5c) Driver.

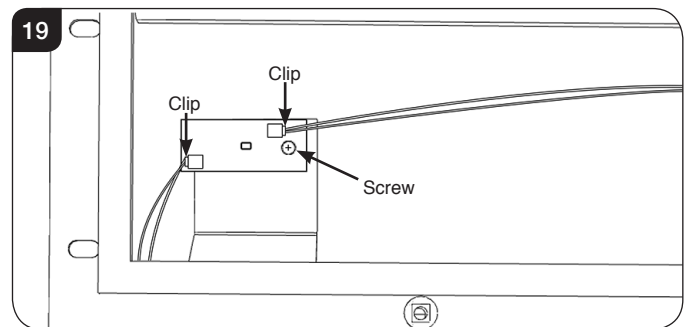
## 5a. Front LED Boards

LED boards 1 - 4 are accessible through the Main Control Assembly.

- 5a.1 Remove the corresponding screws securing the glass covers and remove, see Diagram 18.



- 5a.2 To replace the Front LED boards remove the securing screw and disconnect the wires on each side of the board. The board can now be removed, see Diagram 19.



- 5a.3 Repeat for each front LED board.

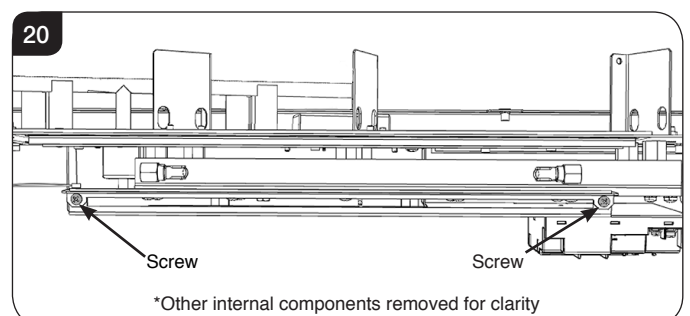
**NOTE: Each board has the wiring direction marked as IN or OUT on each end to ensure the replacement boards are wired correctly.**

- 5a.4 Replace the module bracket and glass covers in reverse order.

## 5b. Rear LED Bar

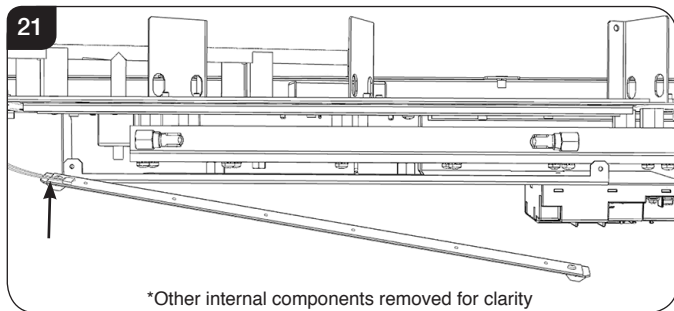
Remove the Main Control Assembly to access the Rear LED Bar (LED board 5), see Section 4.

- 5b.1 Remove the 2 screws securing the LED cradle to the underside of the Control Assembly, see Diagram 20.



# Servicing Instructions - Replacing Parts

5b.2 Carefully withdraw the cradle and remove the wiring connection from the left hand side, see Diagram 21.



5b.3 Undo the 2 screws securing the board and replace in reverse order.

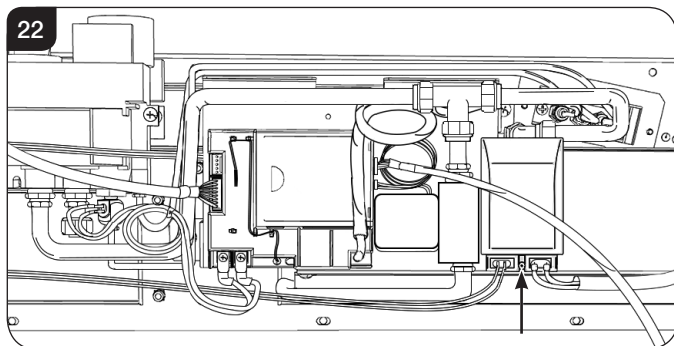
## 5c. LED Driver

Remove the Main Control Assembly to access the LED Driver, see Section 4.

The Driver is located on the underside of the Control Assembly next to the latching solenoid.

5c.1 Remove the screw in the center of the Driver lip, see Diagram 22.

Carefully lift the Driver (with cables) off the control assembly to remove.



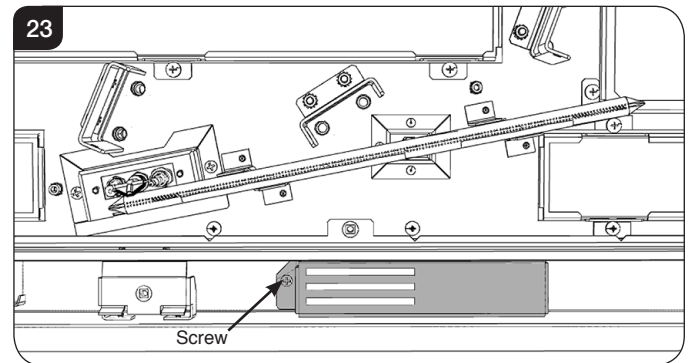
5c.2 Replace in reverse order ensuring the components are in the correct configuration.

**ENSURE NO WIRES ARE TRAPPED WHEN REPLACING THE COMPONENTS.**

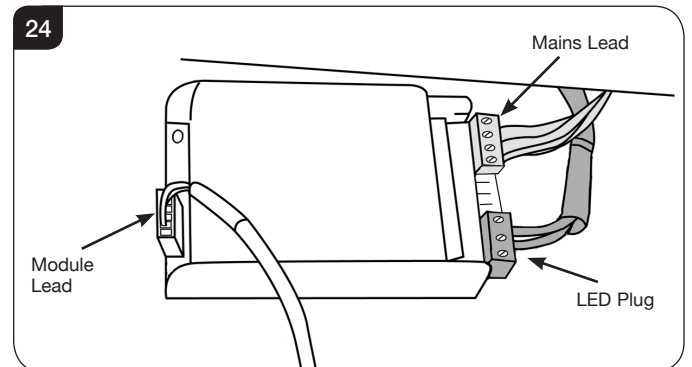
## 6. Replacing the Module

6.1 Remove the Glass Frame and magnetic trims, see Section 2.

6.2 Remove the screw from the module bracket and carefully lift to remove, see Diagram 23.



6.3 Disconnect the LED plug and Mains lead from the module, see Diagram 24.



6.4 Disconnect the Module Lead.

6.5 The module can now be removed.

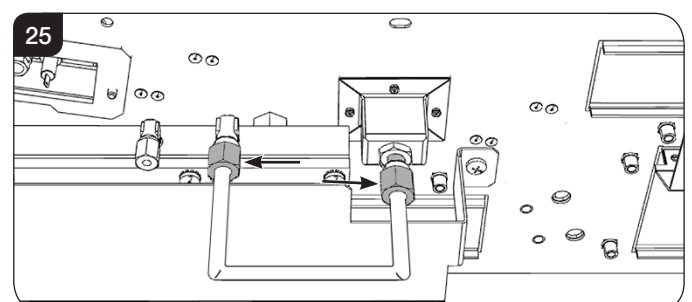
6.6 Replace in reverse order.

## 7. Cross Lighting Injector

7.1 Remove the Log Burners and Main Control Assembly, see Section 4.

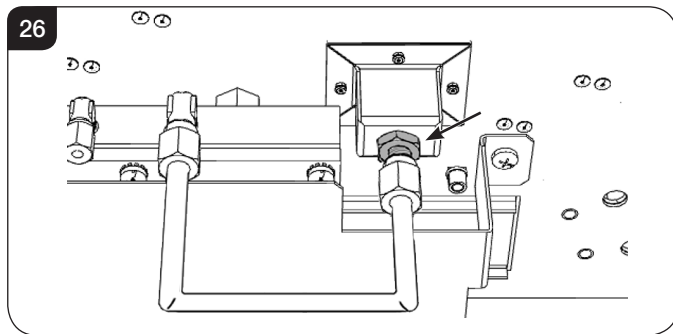
7.2 Turn the Main Control Assembly over to access the components on the underside.

7.3 Remove the injector pipe by loosening the two nuts, see Diagram 25.



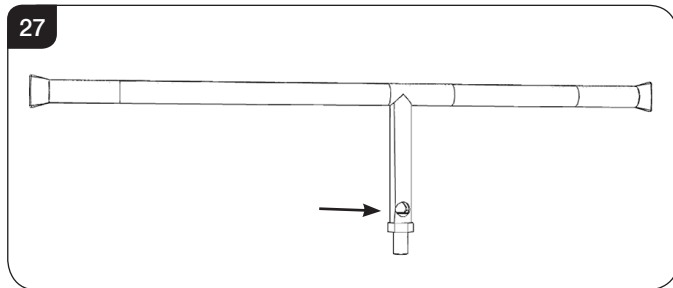
# Servicing Instructions - Replacing Parts

7.4 Undo the nut from the Cross Lighter, see Diagram 26.



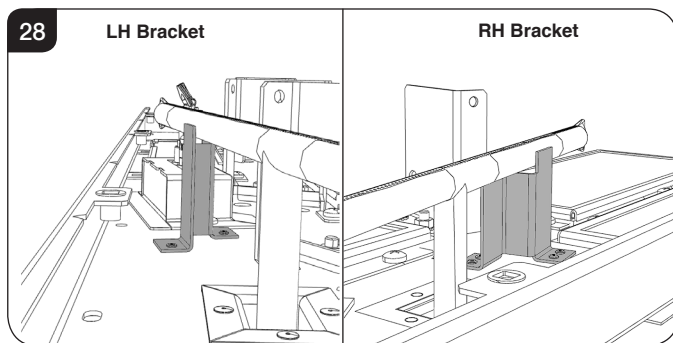
7.5 Turn the Main Control Assembly over.

7.6 Withdraw the Cross Lighting bar from the Control Assembly.  
The Injector is screwed into the bottom of the bar, see Diagram 27.



7.7 Replace with the correct size Injector.

7.8 Ensure the left and right hand sides of the Burner engages in the bracket slots, see Diagram 28.  
NOTE: The LH bracket is part of the Pilot bracket.



7.9 Check for leaks.

## 8. Pilot Unit Assembly

8.1 Turn off the gas supply at the isolating device.

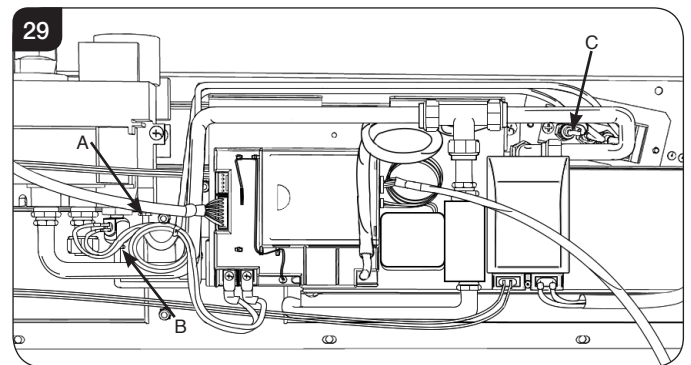
8.2 Remove the Log Burners and Main Control Assembly, see Section 4.

The pilot bracket can be accessed from the underside of the Main Control Assembly.



**IMPORTANT: UNDER THE TERMS OF THE EXTENDED WARRANTY IT WILL BE COMPULSORY TO CHANGE THE COMPLETE PILOT UNIT ON THIS APPLIANCE IN YEARS 2 AND 4.**

8.3 Undo pilot pipe from the control valve, see Diagram 29, arrow A.  
Remove the thermocouple from the interrupter block, see Diagram 29, arrow B.



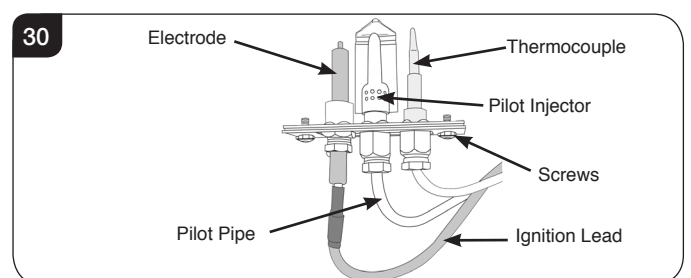
Remove the ignition lead from the electrode, see Diagram 29, arrow C.

8.4 Undo the 2 retaining screws from pilot unit bracket, see Diagram 30.

The pilot bracket can now be withdrawn from its cradle.

The pilot assembly consists of three components, which can be individually changed, these are:

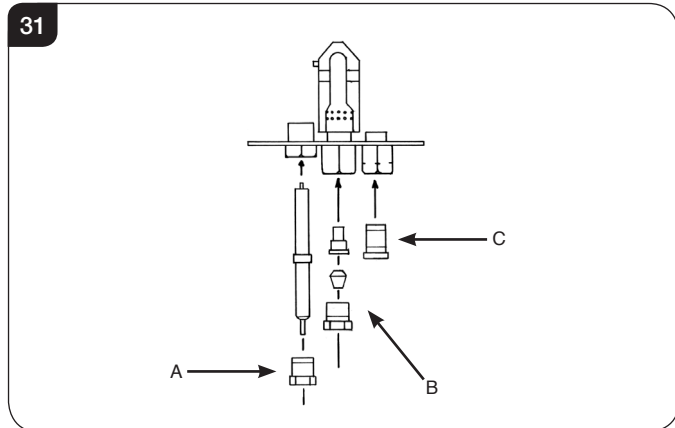
- 8a) Electrode.
  - 8b) Pilot Injector.
  - 8c) Thermocouple.
- see Diagram 30.



# Servicing Instructions - Replacing Parts

## 8a. Electrode

- 8.5 Pull the ignition lead off the electrode and undo the retaining nut, see Diagram 31, arrow A.



- 8.6 Replace with a new electrode. Do not over-tighten the nut; this could break the component.
- 8.7 Replace the ignition lead.

## 8b. Pilot Injector

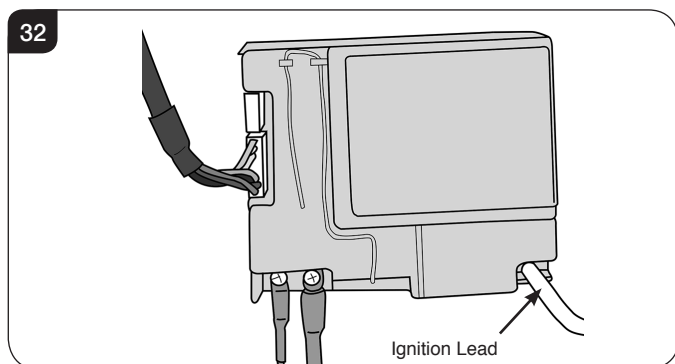
- 8.8 With the pilot assembly removed, undo the nut to drop the injector out from the burner, see Diagram 31, arrow B.

## 8c. Thermocouple

- 8.9 Undo the brass nut to remove the thermocouple from the pilot burner unit, see Diagram 31, arrow C.

## 9. Ignition Lead

- 9.1 Unplug the Ignition lead from the control box, see Diagram 32.



- 9.2 Carefully cut cable ties from the vidaflex and disconnect the lead from the electrode.

**IMPORTANT** Ensure not to cut the cables.

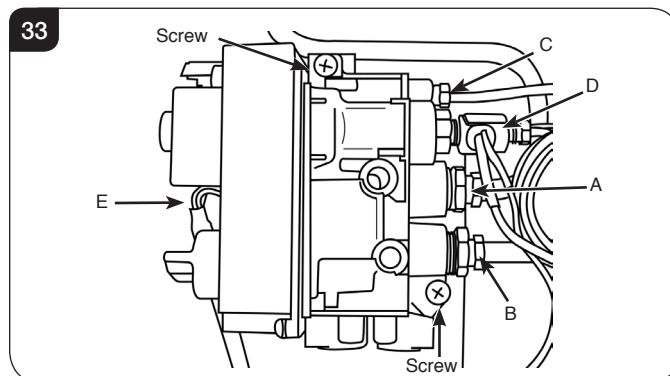
NOTE: When replacing, ensure the ignition lead does not run across the control box.

## 10. Gas Valve

To change the gas valve:

- 10.1 Remove the Log Burners and Main Control Assembly, see Section 4.
- 10.2 Disconnect the Gas Inlet Pipe, see Diagram 33, Arrow A.
- 10.3 Disconnect the Gas Outlet Pipe, see Diagram 33, Arrow B.
- 10.4 Disconnect the Pilot Pipe, see Diagram 33, Arrow C.
- 10.5 Disconnect the Thermocouple, Thermocurrent Wires and the Interrupter Block, see Diagram 33, Arrow D.
- 10.6 Remove the Eight Wire Loom, see Diagram 33, Arrow E.

There is an access hole in the top of the Control Bracket to release the locking tab.



- 10.7 Remove the 2 screws securing the Valve to the support bracket and withdraw the Valve.
- 10.8 Replace in reverse order and check for leaks.

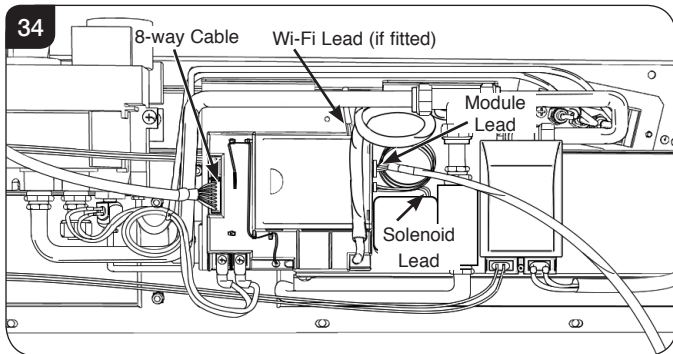
## 11. Magnetic Safety Valve

- 11.1 Remove the Log Burners and Main Control Assembly, see Section 4.
- 11.2 Undo the Thermocouple from the Interrupter Block and remove the 2 Interrupter Leads.
- 11.3 Unscrew the Interrupter Block from the back of the Valve.
- 11.4 Undo the silver Magnetic Valve retaining nut on the back of the Valve.
- 11.5 Gently tap out the Mag Valve.
- 11.6 Replace with a new unit.
- 11.7 Reassemble in reverse order ensuring that the interrupter leads are connected correctly with the blue tag lead furthest away from the gas valve body.
- 11.8 Check for leaks.

# Servicing Instructions - Replacing Parts

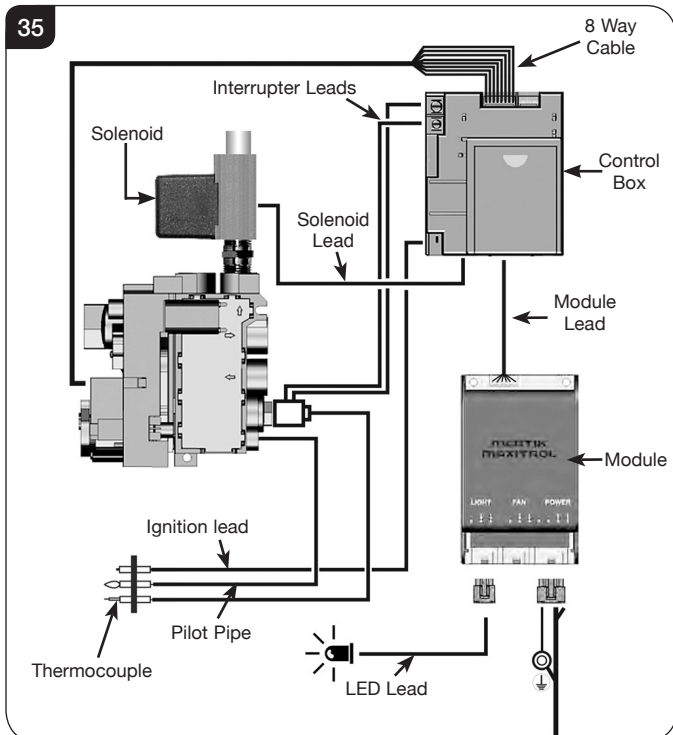
## 12. Control Box

- 12.1 To replace the Control Box first remove the Main Control Assembly, see Section 4.
- 12.2 Cut the cable tie holding the Ignition lead and the Thermocurrent cables.
- 12.3 Disconnect the Module and Solenoid leads from the Control Box, see Diagram 34.



If fitted disconnect the Wi-Fi Lead.  
Note: The Wi-Fi lead is loose when removed, ensure the lead is not misplaced whilst servicing.

- 12.4 Remove the Ignition Lead. The Control Box is held on by Velcro pads.
- 12.5 Remove the 2 screws to remove the 2 Interrupter Leads.
- 12.6 Remove the 8 way cable from the Control Box.



- 12.7 Replace in reverse order.

After replacing the Control Box ensure that all cable ties and connections are refitted, see Diagram 35.

- 12.8 After replacing the Control Box you will need to reprogram the handset.

- Press and hold the reset button on the control box until you hear two signals. After the second longer signal:
- Release the reset button and within 20 seconds:
- Press the DOWN button on the handset until you hear two additional short signals confirming the new code is set. If there is a single long signal the code learning sequence has failed or the wiring is incorrect.

**Note: When pressing the DOWN button on the handset if two beeps are not heard:**

- Release the DOWN button and CONN will be displayed on the handset screen. An 8 second count will start on the handset screen followed by two short beeps confirming the new code is set. If there is a single long signal the code learning sequence has failed or the wiring is incorrect.

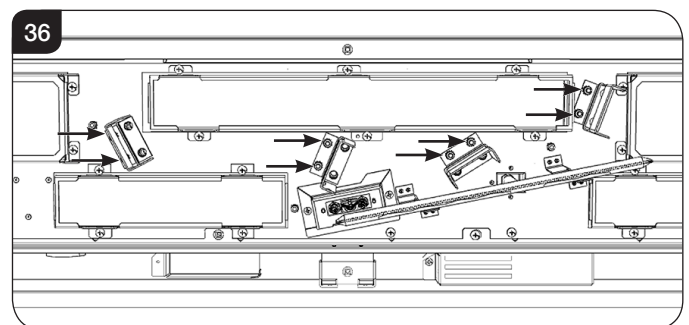
## 13. Fuel Bed Injectors

This appliance has 8 Fuel Bed Injectors.

**NOTE: The injectors are not identical, see Page 12.**

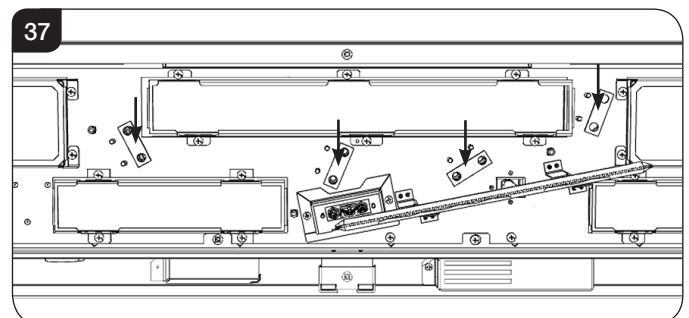
**TO ENSURE CORRECT ASSEMBLY REPLACE EACH INJECTOR INDIVIDUALLY.**

- 13.1 Remove the Log Burners and Mesh Tray, see Section 4.
- 13.2 Remove the 2 nuts and lock washers from each Burner Bracket, see Diagram 36.



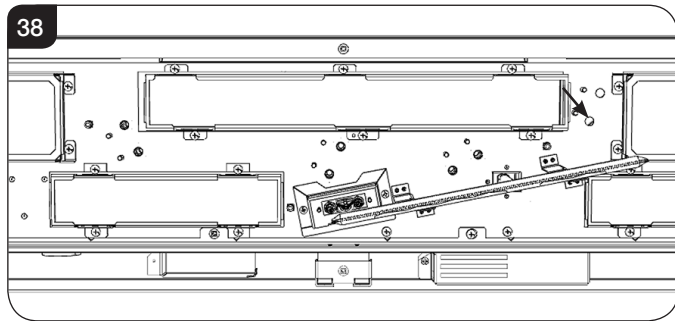
Remove the Brackets.

- 13.3 Remove the Gaskets, see Diagram 37.



# Servicing Instructions - Replacing Parts

13.4 Undo the Injectors individually and remove, see Diagram 38.



13.5 Replace with the correct size Injector, see table on Page 12.  
**NOTE: DO NOT OVERTIGHTEN.**

Use thread sealant Loctite 572 when replacing Injectors.

13.6 Repeat for the remaining Injectors.

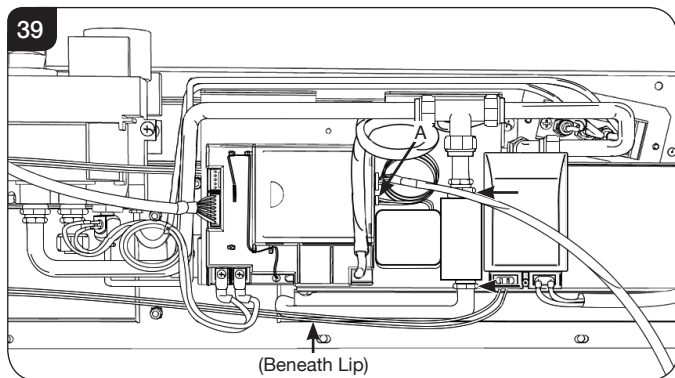
13.7 Check for leaks.

## 14. Latching Solenoid

14.1 Remove the Main Control Assembly, see Section 4.

14.2 Remove the cradle holding the rear LED's to access the pipe work for the solenoid, see Section 5.

14.3 Undo the 3 nuts shown and free the solenoid from the pipe work, see Diagram 39.



14.4 Remove the Solenoid plug from the Control Box, see Diagram 39 Arrow A.

**NOTE the orientation of the cables.**

14.5 Replace in reverse order.

## 15. Changing Between Gas Types

In order to change between gas types, it will be necessary to change the following components:

**Pilot**  
**Main Injectors x 8**  
**Crosslighting Injector**  
**Gas Valve**  
**Main Burner x 4**

Contact your Gazco retailer for further information.

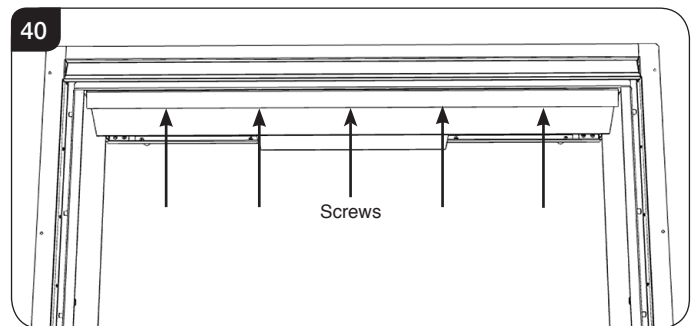
A kit of parts is available for this. Always quote the Model number and Serial number when ordering any spare parts.

## 16. Baffle

16.1 The Baffle must be removed before the Liners can be taken out of the appliance.

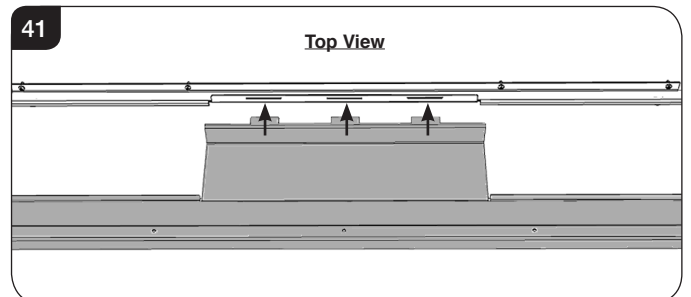
### BAFFLE

16.2 Undo the 5 screws securing the baffle to the roof of the firebox, see Diagram 40.



16.3 The Baffle can now be removed by lowering the front edge and pulling forward through the front of the appliance.  
**TAKE CARE NOT TO DAMAGE THE SIDE PANELS.**

16.4 When replacing the Baffle ensure that the 3 tabs fit into the slots in the rear liner bracket see Diagram 41.



# Servicing Instructions - Replacing Parts

## 17. Liners

17.1 There are several lining options available:

Brick Effect  
Ledgestone  
Black Glass

The Baffle must be removed before the Liners can be taken out of the appliance, see Section 16.

Remove the Logs and Burners, see Section 4.

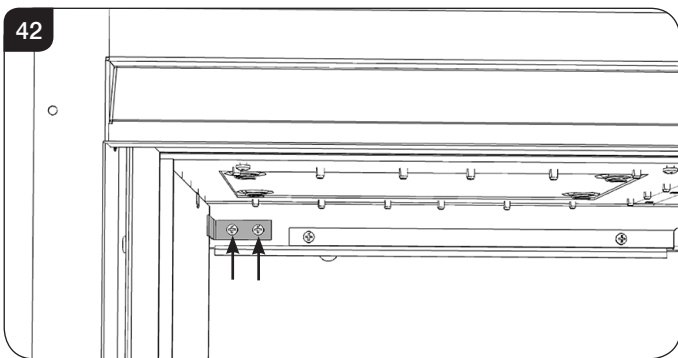
Once removed the Liners can be taken out.



**IMPORTANT: IF THE APPLIANCE IS FITTED WITH BLACK GLASS LINERS THE BACK PANEL IS ONE PIECE. THE SIDE PANELS ARE ALSO SPECIFIC FOR LEFT AND RIGHT - MAKE A NOTE WHEN REMOVING AND REPLACE IN THE SAME ORIENTATION.**

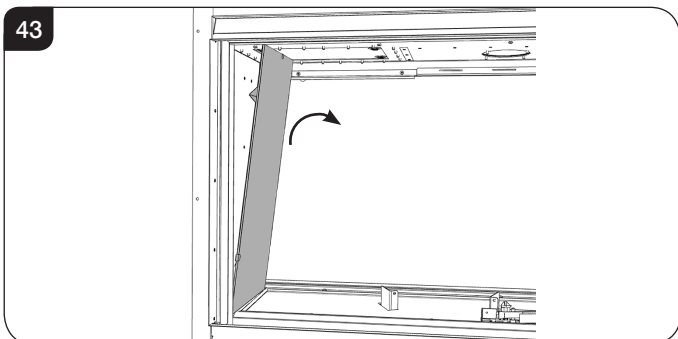
To remove the side liners:

17.2 Undo the 2 screws and remove the Side Liner Brackets, see Diagram 42.



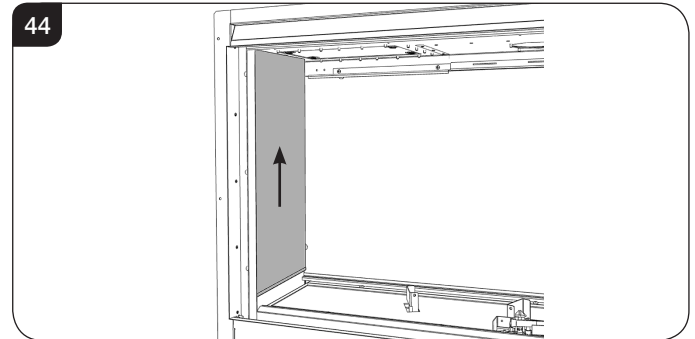
### Black Glass & Brick Effect Side Liners:

17.3 Move the top of the liner towards the centre of the firebox and carefully manoeuvre out of the appliance, see Diagram 43.

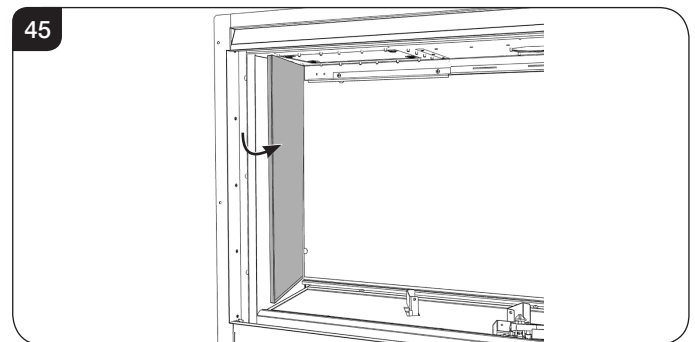


### Ledgestone Side Liners:

17.4 Move the liner vertically towards the top of the firebox, see Diagram 44.



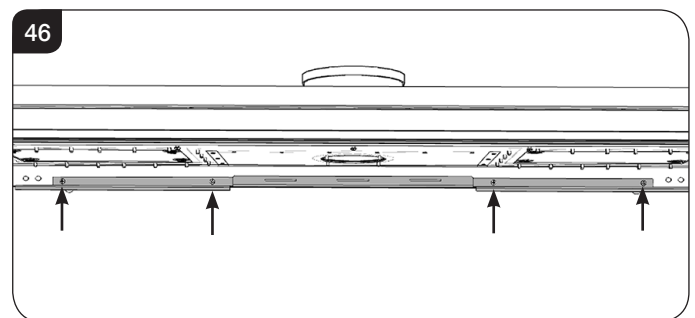
17.5 Move the front edge of the liner towards the centre of the firebox and carefully manoeuvre out of the appliance, see Diagram 45.



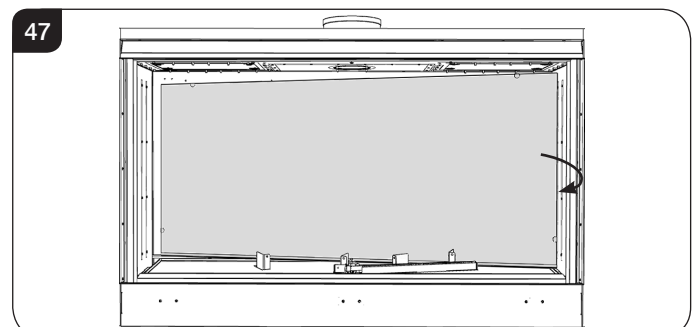
To remove the rear Liner:

17.6 Remove the Side Liners.

17.7 Undo the 4 screws securing the rear liner bracket and remove, see Diagram 46.

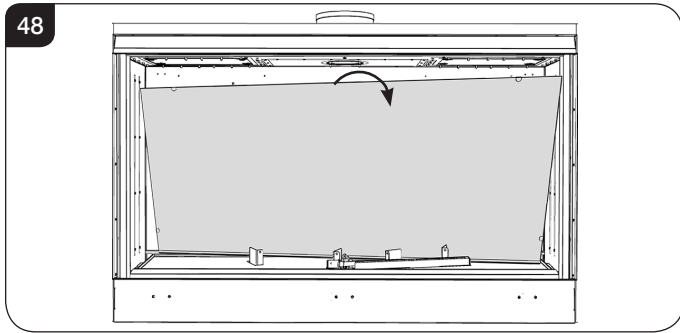


17.8 Slide the right hand side of the Rear Liner as far forward as possible, see Diagram 47.



# Servicing Instructions - Replacing Parts

17.9 Once in position, tilt the Liner forwards and carefully manoeuvre out of the firebox, see Diagram 48.



17.10 To replace the Liners and Baffle reverse these procedures. Ensure no amber glass or black shale has fallen onto the Liner Support Brackets.

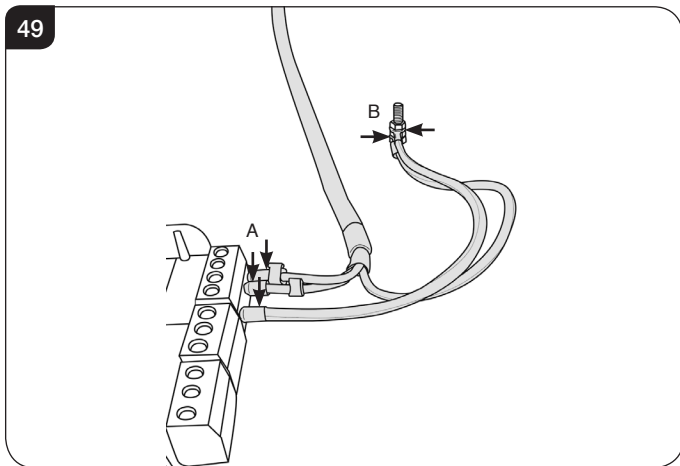
## 18. Replacing the Power Cable

**BEFORE UNDERTAKING ANY WORK SWITCH OFF THE APPLIANCE AND ISOLATE THE POWER SUPPLY ENSURING THERE IS NO POWER TO THE APPLIANCE.**

To replace the Power Cable first remove the Main Control Assembly, see Section 4.

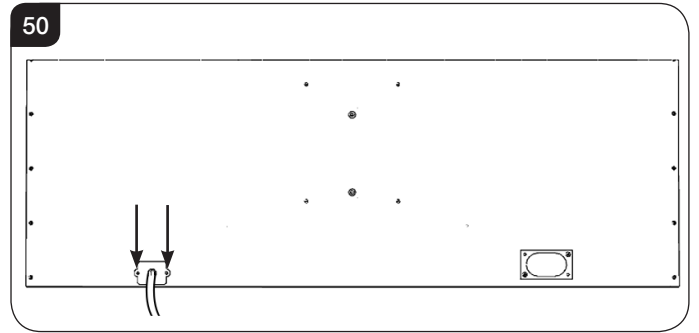
18.1 Disconnect the 3 cables from the Power Module, See Diagram 49, arrow A.

NOTE THE CONFIGURATION OF THE WIRES.



18.2 Remove the nuts from the Earth stud and remove the two Ring Terminals, see Diagram 49, arrow B.

18.3 Remove the 2 screws securing the Power Cable Plate to the rear of the firebox, see Diagram 50.



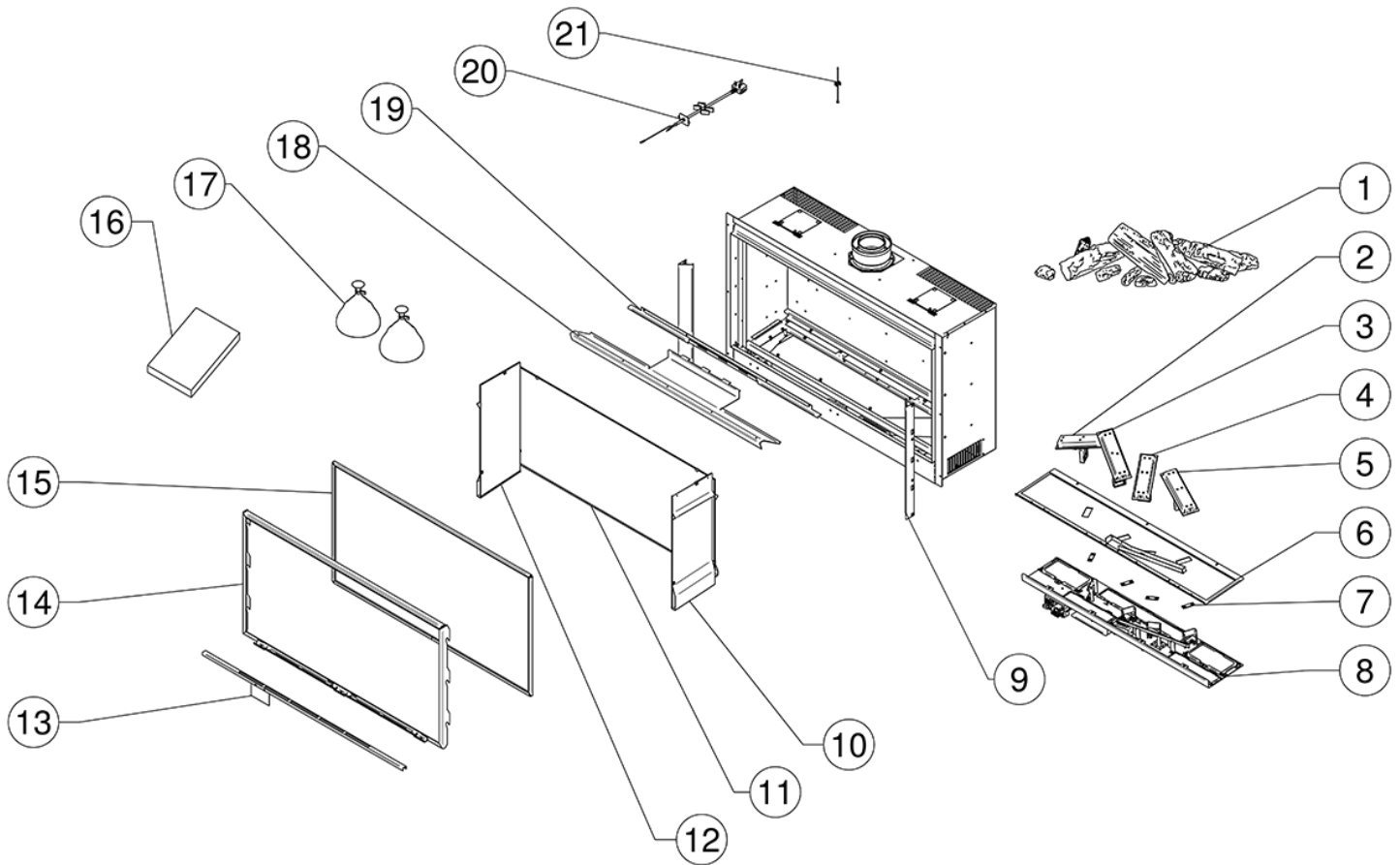
18.4 Withdraw the old cable.

18.5 Fit the new cable in reverse order ensuring it is rewired in the original configuration.



# Servicing Instructions - Replacing Parts

## 19. Spares List - Main Assembly



No.	Component	Part Code	Qty.
1	Ceramic Log Set	CE1923	1
2	LH Outside Burner Can Assembly	GZ15287	1
3	LH Inside Burner Can Assembly	GZ15288	1
4	RH Inside Burner Mixer Assembly	GZ15289	1
5	RH Outside Burner Mixer Assembly	GZ15290	1
6	Burner Tray and Mesh Assembly	GZ14698	1
7	Injector Seal	CE1738	4
8	Control Assembly	GZ14690	1
9	Side Frame Cover	GZ14083	2
10	RH Side Panel - Black Glass	GZ15113	1
	RH Side Panel - Ledgestone*	991-461	1
	RH Side Panel - Brick Effect	CE1955	1
11	Rear Panel - Black Glass	GZ14670	1
	Rear Panel - Ledgestone*	991-461	1
	Rear Panel - Brick Effect	CE1951	1

No.	Component	Part Code	Qty.
12	LH Side Panel - Black Glass	GZ15111	1
	LH Side Panel - Ledgestone*	991-461	1
	LH Side Panel - Brick Effect	CE1956	1
13	Base Infill Angle Assembly	GZ13991	1
14	Door Assembly	GZ13983	1
15	Glass & Ropeseal Assembly	GZ14463	1
16	Instruction Kit	GZ15171	1
17	Amber Crushed Glass (6lb)	CE1737	2
18	Top Baffle - Front	GZ14687	1
19	Top Baffle - Rear	GZ14688	1
20	UK Mains Lead (2M)	GZ15218	1
21	Earth Cable	EL0051	1

\*Only available as a set



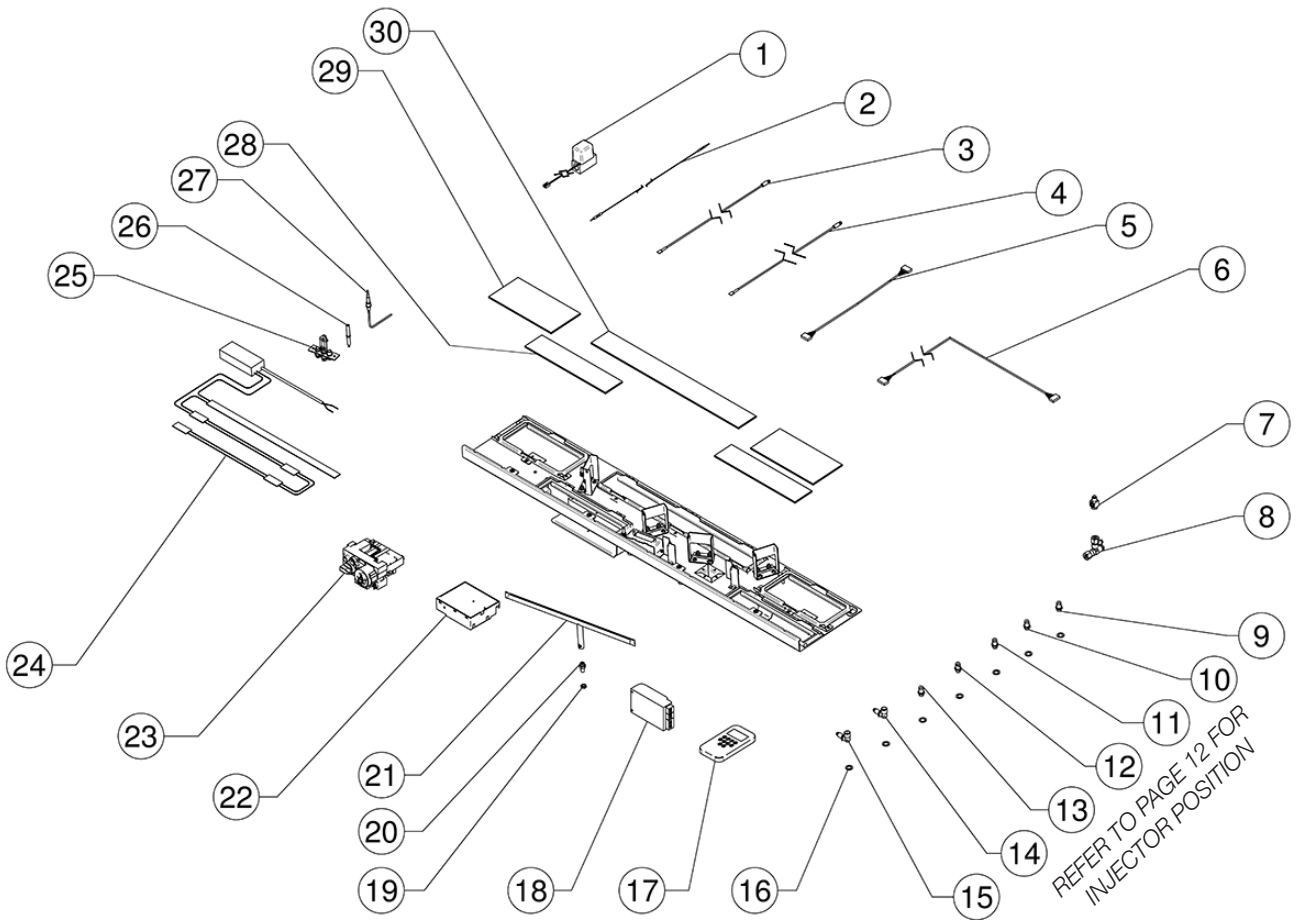
Due to continual technical improvements please check online or with your Gazco retailer for the most up to date parts lists.

Only use Genuine Gazco spares when servicing your appliance.

All of our essential spare parts and consumable items are available to purchase from our webshop at [www.gazcospares.com](http://www.gazcospares.com).

# Servicing Instructions - Replacing Parts

## 19. Spares List - Control Assembly



No.	Component	Part Code	Qty.	No.	Component	Part Code	Qty.
1	Latching Solenoid Valve	EL0563	1	16	Fibre Washer	FA0735	8
2	Ignition Cable	GC0125	1	17	Thermostatic Handset	EL0655	1
3	Thermo Current Cable	GC0126	1	18	Power Module Box	EL0672	1
4	Thermo Current Cable	EL0590	1	19	M8x1 Fine Thread Brass Locknut	FA0740	1
5	Mertic Module Cable	EL0566	1	20	Cross Lighting Injector	IN0101	1
6	360mm Connection Cable	GC0133	1	21	Cross Lighting Burner	GC0181	1
7	Thermocouple Interrupter	GC0124	1	22	Receiver	EL0697	1
8	Pressure Test Restrictor Elbow	GC0095	1	23	Control Valve	GC0123	1
9	Straight Injector (S92)	IN0085	2	24	LED Wiring Loom	EL0743	1
10	Straight Injector (S104)	IN0083	1	25	Pilot	PI0069	1
11	Straight Injector (S128)	IN0097	1	26	Electrode	PI0075	1
12	Straight Injector (S88)	IN0087	1	27	Thermocouple	PI0074	1
13	Straight Injector (S102)	IN0084	1	28	Glass LED Cover (Front)	CE1911	2
14	Elbow Injector (88)	IN0103	1	29	Glass LED Cover (Rear Corner)	CE1962	2
15	Elbow Injector (102)	IN0065	1	30	Glass LED Cover (Rear Center)	CE1963	1



Due to continual technical improvements please check online or with your Gazco retailer for the most up to date parts lists.

Only use Genuine Gazco spares when servicing your appliance.

All of our essential spare parts and consumable items are available to purchase from our webshop at [www.gazcospares.com](http://www.gazcospares.com).

# Service Records

## 1ST SERVICE

Date of Service:.....  
Next Service Due:.....  
Signed:.....  
Retailer's Stamp/GasSafe Registration Number

## 3RD SERVICE

Date of Service:.....  
Next Service Due:.....  
Signed:.....  
Retailer's Stamp/GasSafe Registration Number

## 5TH SERVICE

Date of Service:.....  
Next Service Due:.....  
Signed:.....  
Retailer's Stamp/GasSafe Registration Number

## 7TH SERVICE

Date of Service:.....  
Next Service Due:.....  
Signed:.....  
Retailer's Stamp/GasSafe Registration Number

## 9TH SERVICE

Date of Service:.....  
Next Service Due:.....  
Signed:.....  
Retailer's Stamp/GasSafe Registration Number

## 2ND SERVICE

Date of Service:.....  
Next Service Due:.....  
Signed:.....  
Retailer's Stamp/GasSafe Registration Number

## 4TH SERVICE

Date of Service:.....  
Next Service Due:.....  
Signed:.....  
Retailer's Stamp/GasSafe Registration Number

## 6TH SERVICE

Date of Service:.....  
Next Service Due:.....  
Signed:.....  
Retailer's Stamp/GasSafe Registration Number

## 8TH SERVICE

Date of Service:.....  
Next Service Due:.....  
Signed:.....  
Retailer's Stamp/GasSafe Registration Number

## 10TH SERVICE

Date of Service:.....  
Next Service Due:.....  
Signed:.....  
Retailer's Stamp/GasSafe Registration Number

# Information Requirement - Gas Heaters

## Information Requirement for Gaseous Fuel Local Space Heater

Model		Reflex 105 BF NG
Fuel	Space Heating Emissions (NOx) - mg / kWh <sub>input</sub> (GCV)	130

Heat Output	Nominal Heat Output - $P_{nom}$	9.9kW
	Minimum Heat Output (indicative) - $P_{min}$	3.4kW

Auxiliary Electricity Consumption	At Nominal Heat Output - $el_{max}$	0.003kW
	At Minimum Heat Output - $el_{min}$	0.003kW
	In Standby Mode - $el_{sb}$	0.003kW

Useful Efficiency (NCV)	Useful Efficiency at nominal heat output - $\eta_{th,nom}$	92.0%
	Useful Efficiency at minimum heat output (indicative) - $\eta_{th,min}$	66.5%

Permanent Pilot Flame Power requirement	Permanent Pilot Flame Power requirement (if applicable) - $P_{pilot}$	N/A
---	---	-----

Type of heat output/room temperature control	
Electronic room temperature control + day timer	Yes

Other control options (multiple selections possible)	
Room temperature control, with presence detection	No
Room temperature control, with open window detection	No
With distance control option	No
With adaptive start control	No
With working time limitation	No
With black bulb sensor	No

Energy Efficiency Index	88.8%
Energy Efficiency Class	A

Contact:	Gazco Ltd, Osprey Road, Sowton Industrial Estate, Exeter, EX2 7JG
----------	---







**Gazco Limited, Osprey Road, Sowton Industrial Estate, Exeter, Devon, England EX2 7JG**  
**Technical Customer Services: (01392) 261950 Fax: (01392) 261951**  
**E-mail: [technicalservices@gazco.com](mailto:technicalservices@gazco.com)**

A member of the Stovax Group  
E & O E