



Fire Your Imagination

Chimney Renovation Kit

For use with the Riva2 Balanced Flue Products,
Eclipse 100 & Reflex models



Instructions for Installation

For use in GB & IE (Great Britain & Republic of Ireland).

IMPORTANT

Balanced flues for stoves or fires are different to Conventional flues because the appliance is a sealed unit, drawing air for combustion from outside and discharging the products of combustion through the same external flue terminal. The flue has an outer tube to bring in the air and an inner tube to expel the gases.

The Riva2 and Eclipse have a top exit only and must use one of the flue systems listed.

No additional ventilation is required with a Balanced flue.

The Renovation kit creates this effect, either by utilising the existing chimney to draw external air into the appliance without the use of a sealed outer tube, or by the use of an inner and outer flexible flue liner system. This product range offers a flexible solution for all flue applications.

Consult a qualified installer for advice on installation. This flue system must be installed by a Gas Safe registered engineer.

NOTE: Most configurations of flue require a restrictor to be fitted.
Refer to each appliance's Technical Specifications given in the Installation Instructions.

Contents

Chimney Renovation Kit

Covering the following models:

	Riva2 500	Riva2 600
Nat Gas	134--249	134-134
LPG	134-401	134-702

Model	Riva2 800 - Single Burner		Riva2 1050 - Single Burner		Riva2 800 - Dual Burner		Riva2 1050 - Dual Burner	
	Nat Gas	LPG	Nat Gas	LPG	Nat Gas	LPG	Nat Gas	LPG
Vermiculite Lining	134-031	134-476	134-225	134-568	134-099	134-412	134-136	134-493
Black Reeded Lining	134-210	134-450	134-244	134-482	134-110	134-461	134-178	134-544

Riva2 750HL					
	Black Reeded Lining	Vermiculite Lining	Brick Effect Lining	Ledgestone Lining	Black Glass Lining
Nat Gas	134-033	134-047	134-059	134-076	134-084
LPG	134-421	134-439	134-466	134-480	134-495

Reflex 75T					
	Black Reeded Lining	Vermiculite Lining	Brick Effect Lining	Ledgestone Lining	Black Glass Lining
Nat Gas	191-082	191-094	191-106	191-111	191-127
LPG	191-471	191-487	191-490	191-512	191-528

Reflex 75T Multi-Sided			
	Reflex 75T 3-Sided	Reflex 75T 2-Sided Left Facing Glass	Reflex 75T 2-Sided Right Facing Glass
Nat Gas	191-004	191-010	191-027
LPG	191-543	191-414	191-438

Reflex 105		
	6"	8"
Nat Gas	191-199	191-199
LPG	-	191-714

Eclipse 100	
Ledgestone Panels	Black Reeded Panels
128-041	128-030
128-429	128-516

Installation Instructions.....3

Site Requirements..... 3

Installation Methods 6

Installation.....7

Option 1 9

Option 2 12

Installation Instructions

Site Requirements

1. General Safety Notes

- 1.1 Always work in accordance with the current health and safety requirements and any regional laws.
- 1.2 Take precautions when working at high levels – use scaffolding, access towers etc. where applicable.
- 1.3 The ends of flue liners can be extremely sharp – always wear suitable gloves.
- 1.4 Sweeping chimneys/flue systems can cause irritation to skin eyes and respiratory system – wear a dust mast, goggles and suitable protective clothing.

2. Flue & Chimney Requirements

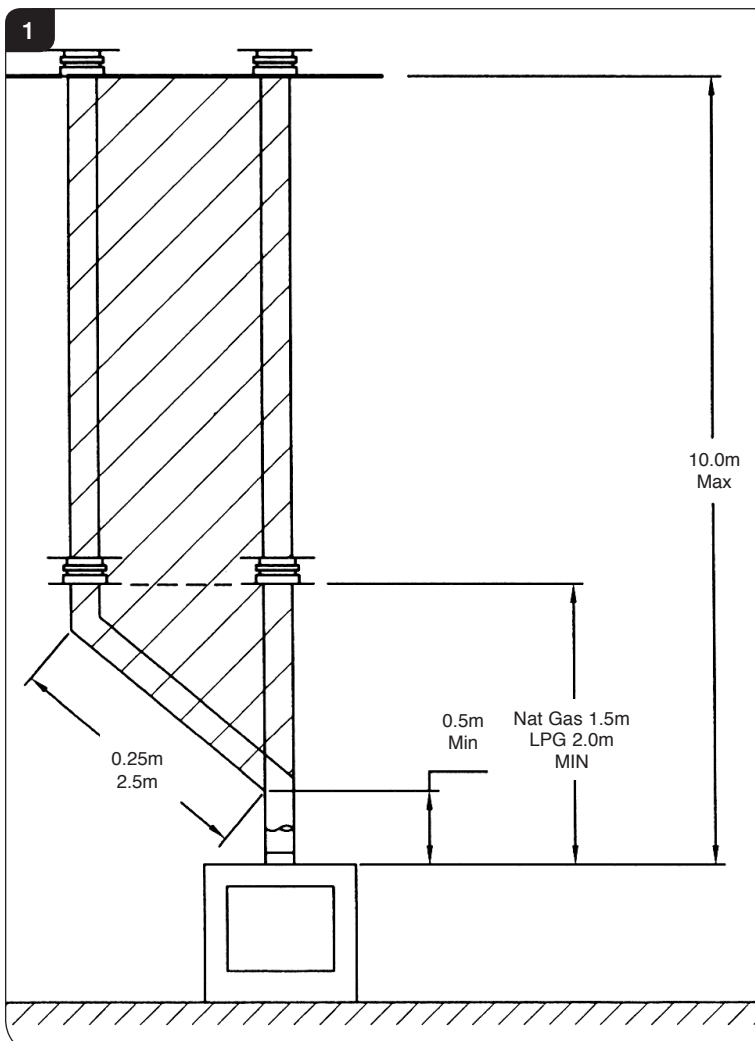
You must adhere to the following:

- 2.1 All flues must be securely fixed and fire precautions followed in accordance with local and national codes of practice.
- 2.2 A restrictor may be required. Refer to Restrictor Requirements, Diagram 1.
- 2.3 For minimum and maximum flue dimensions see Diagram 1 and charts on page 4.
- 2.4 Allow enough room above the appliance to assemble the flue on top.
- 2.5 Support the opening of a masonry installation with a lintel.



NOTE: Option 1 is not suitable for Multi-Sided products. These products must be installed using Option 2 only.

Site Requirements - Riva2 600 only



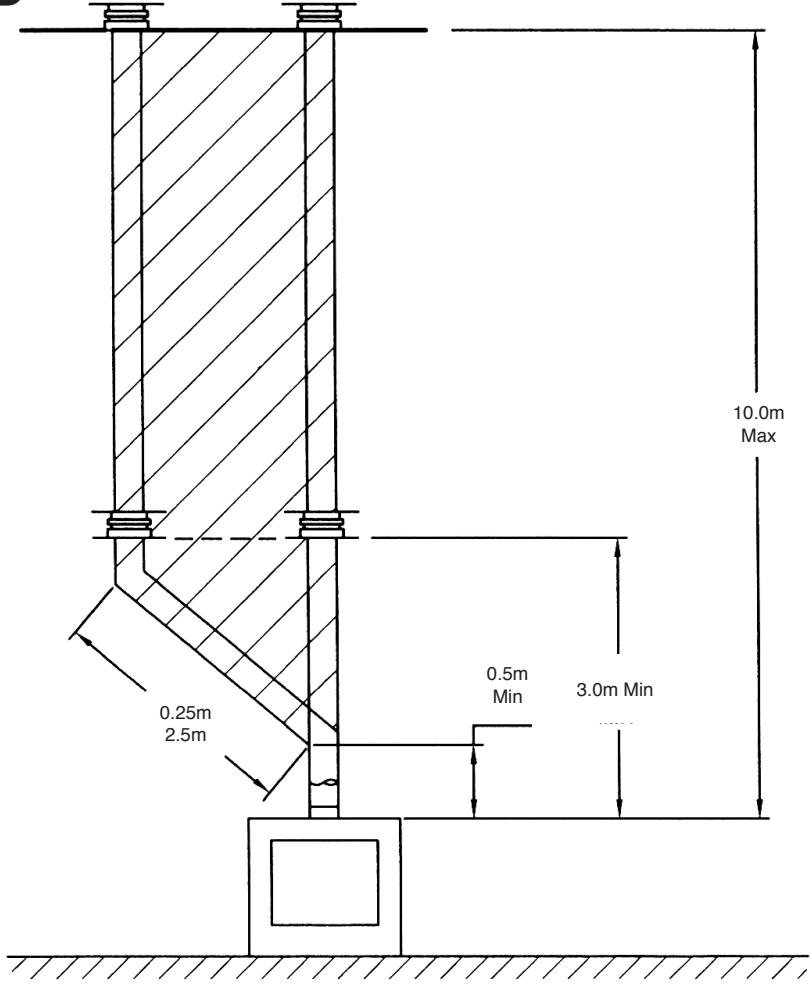
Maximum Chimney Dimension	305mm (12")
Minimum Chimney Dimension	178mm (7")

RESTRICTOR REQUIREMENT	
TOP EXIT - VERTICAL ONLY INCLUDING OFFSET	
RIVA2 600 - NAT GAS	
Vertical Flue Height	Restrictor size
1500mm - 2999mm	52mm Ø
3000mm - 10000mm	47mm Ø
RIVA2 600 - LPG	
Vertical Flue Height	Restrictor size
2000mm - 2999mm	52mm Ø
3000mm - 10000mm	47mm Ø

Installation Instructions

Site Requirements - Riva2 (excluding Riva2 600) & Eclipse Models

2



Maximum Chimney Dimension	305mm (12")
Minimum Chimney Dimension	178mm (7")

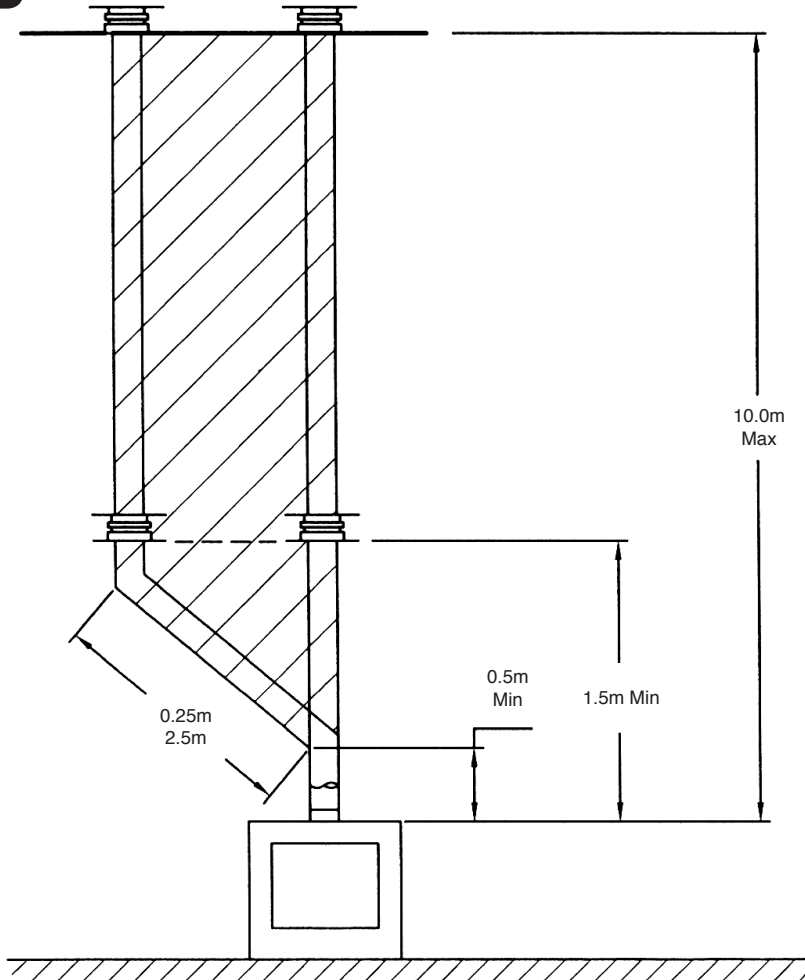
RESTRICTOR REQUIREMENT	
TOP EXIT - VERTICAL ONLY INCLUDING OFFSET	
RIVA2 750 BF- NAT GAS	
NAT GAS	
Vertical Flue Height	Restrictor size
3000mm - 5999mm	60mm Ø
6000mm - 10000mm	52mm Ø (Sliding Restrictor)
RIVA2 750 BF- LPG	
3000mm - 10,000mm	60mm Ø

RESTRICTOR REQUIREMENT	
TOP EXIT - VERTICAL ONLY INCLUDING OFFSET	
RIVA2 500 BF	
Vertical Flue Height	Restrictor Size
3000mm - 4999mm	52mm Ø
5000mm - 10,000mm	47mm Ø
RIVA2 800 and 1050 BF	
Vertical Flue Height	Restrictor Size
3000mm - 4999mm	60mm Ø
5000mm - 10,000mm	52mm Ø
ECLIPSE 100	
Vertical Flue Height	Restrictor Size
3000mm - 5999mm	60mm Ø
6000mm - 10,000mm	52mm Ø

Installation Instructions

Site Requirements - Reflex Models

3



Maximum Chimney Dimension	305mm (12")
Minimum Chimney Dimension	178mm (7")

RESTRICTOR REQUIREMENT	
TOP EXIT - VERTICAL ONLY INCLUDING OFFSET	
REFLEX 75T	
Vertical Flue Height	Restrictor size
1500mm - 2999mm	70mm Ø
3000mm - 5999mm	60mm Ø
6000mm - 10,000mm	52mm Ø
REFLEX 75T MULTI-SIDED	
Vertical Flue Height	Restrictor size
1500mm - 2999mm	75mm Ø
3000mm - 5999mm	70mm Ø
6000mm - 10,000mm	60mm Ø

RESTRICTOR REQUIREMENT	
TOP EXIT - VERTICAL ONLY INCLUDING OFFSET	
REFLEX 105 6"	
Vertical Flue Height	Restrictor size
1500mm - 1999mm	75mm
2000mm - 4999mm	70mm
5000mm - 10000mm	60mm
REFLEX 105 8" - (8" with 6" adapter)	
Vertical Flue Height	Restrictor size
1500mm - 1999mm	75mm
2000mm - 4999mm	70mm
5000mm - 10000mm	60mm

Installation Instructions

Installation Methods

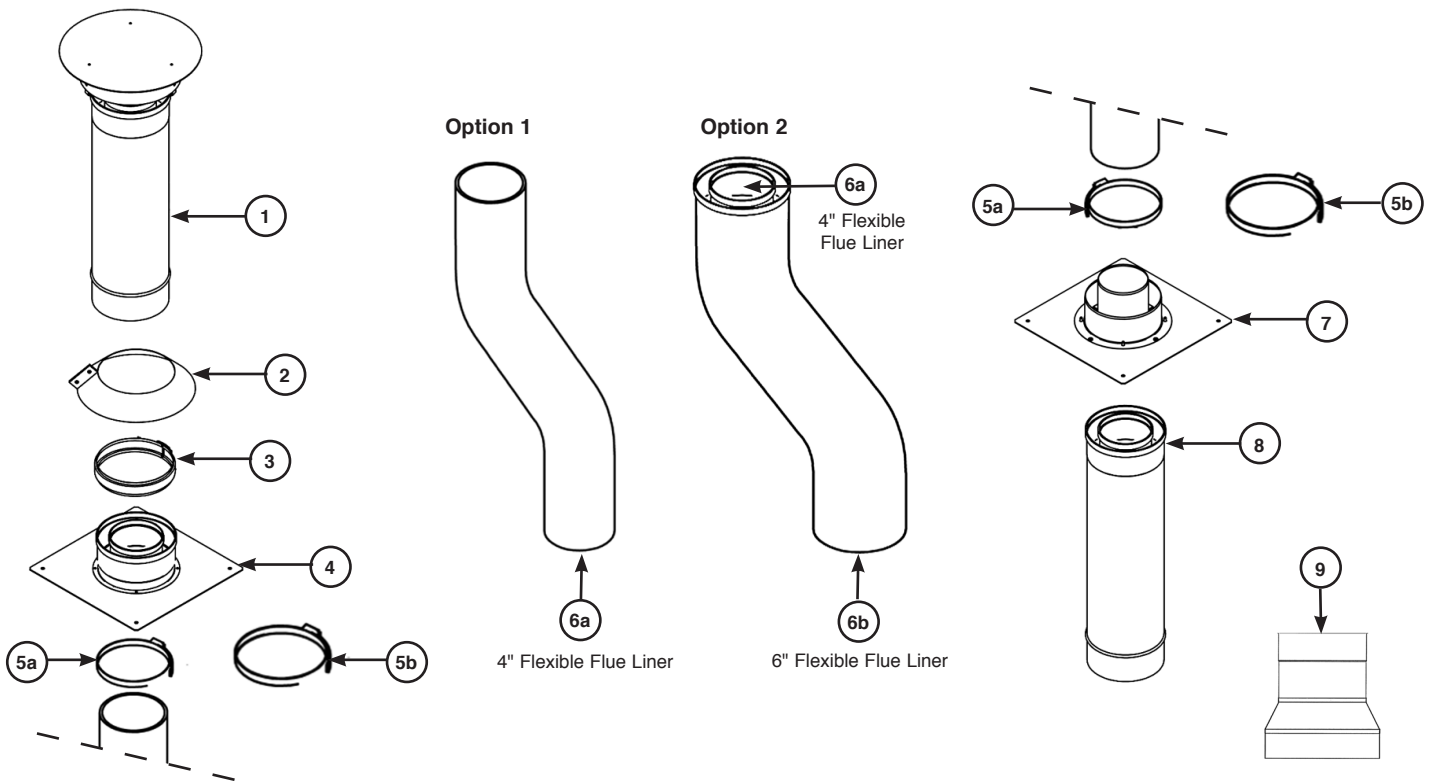
There are two options for the installation of the Renovation Kit:

Option 1

Uses a single 4" piece of flexible flue pipe to vent the exhaust gases from the appliance. Additional air is drawn into the appliance via the vents in the spigot plates. (Not suitable for Multi-Sided products.)

Option 2

Uses an additional piece of 6" flexible flue liner to form an airtight seal in the chimney stack by being placed as a sleeve over the 4" pipe. This is used as a direct air supply to the appliance if the chimney integrity cannot be guaranteed.



Installation Instructions

Installation Methods

Kit Number: 928-315			
Diagram Number	Description	Part Number	Quantity
1	Flue Terminal	GZ9022	1
2	Storm Collar	GZ9133	1
3	Clamp - Flue Pipe	GZ9024	1
4	Mounting Plate & Spigot Assembly (Upper)	GZ12277	1
7	Mounting Plate & Spigot Assembly (Lower)	GZ12278	1
8	Adjustable Flue Pipe	999-062	1
-	Fixing Kit	GZ12286	1

Kit Number: 999-019			
Diagram Number	Description	Part Number	Quantity
1	Flue Terminal	GZ9022	1
2	Storm Collar	GZ9133	1
3	Clamp - Flue Pipe	GZ9024	1
4	Mounting Plate & Spigot Assembly (Upper)	GZ12277	1
7	Mounting Plate & Spigot Assembly (Lower)	GZ12278	1
8	Adjustable Flue Pipe	999-062	1
9	8" to 6" Adapter	999-204	1
-	Fixing Kit	GZ12286	1
-	8" BF Restrictor Plate Kit	GZ15959	1

GZ12286 Fixing Kit (Part of Kits 928-315/ 999-019)		
5a	4" Hose Clip	2
5b	6" Hose Clip	2
-	Woodscrews	8
-	Rawlplugs	8
-	52mm Ø Restrictor	1
-	60mm Ø Restrictor	1
-	47mm Ø Restrictor	1

Purchased Separately	
6a	4" Flexible Flue Liner*
6b	6" Flexible Flue Liner*



*Flexible flue liner must have a minimum temperature class of T400 according to the flue designation.
eg. Schiedel Rite Vent Tecnoflex Plus EN1856 - 2 T600 NI W V2 L500 12G is a suitable liner

1. General

- 1.1 Before fitting the liner check that the existing chimney is sound, free from obstruction, clean and in accordance with Gas Safety regulations, Building Regulations and Building Standards Regulations. It should also be in accordance with the relevant recommendations of the following current British Codes of Practice & Standards:

BS.5440: Parts 1 Flues & Part 2 Air Supply.

BS.5871: Part 2 Installation of Gas Fires, Convector Heaters, Fire/Back Boilers.

BS.6461: Codes of Practice for factory made insulated chimneys for internal application.

- 1.2 Installation and servicing must only be carried out by a competent person whose name appears on the Gas Safe register. To ensure the engineer is registered with Gas Safe they should possess an ID Card carrying the following logo:



IMPORTANT: It is essential that the entire length of the masonry chimney is swept and a smoke test is carried out prior to installation to check the integrity is sound. Any defect in the chimney breast must be repaired prior to installation.



NOTE: THIS PRODUCT IS NOT SUITABLE FOR INSTALLATION INTO AN EXTERNAL CHIMNEY STACK WHICH SERVES MORE THAN ONE APPLIANCE. THIS WOULD INCLUDE ANY NEIGHBOURING PROPERTIES WHO SHARE OR ARE IN CLOSE PROXIMITY TO THE EXTERNAL CHIMNEY STACK USED IN THE INSTALLATION.

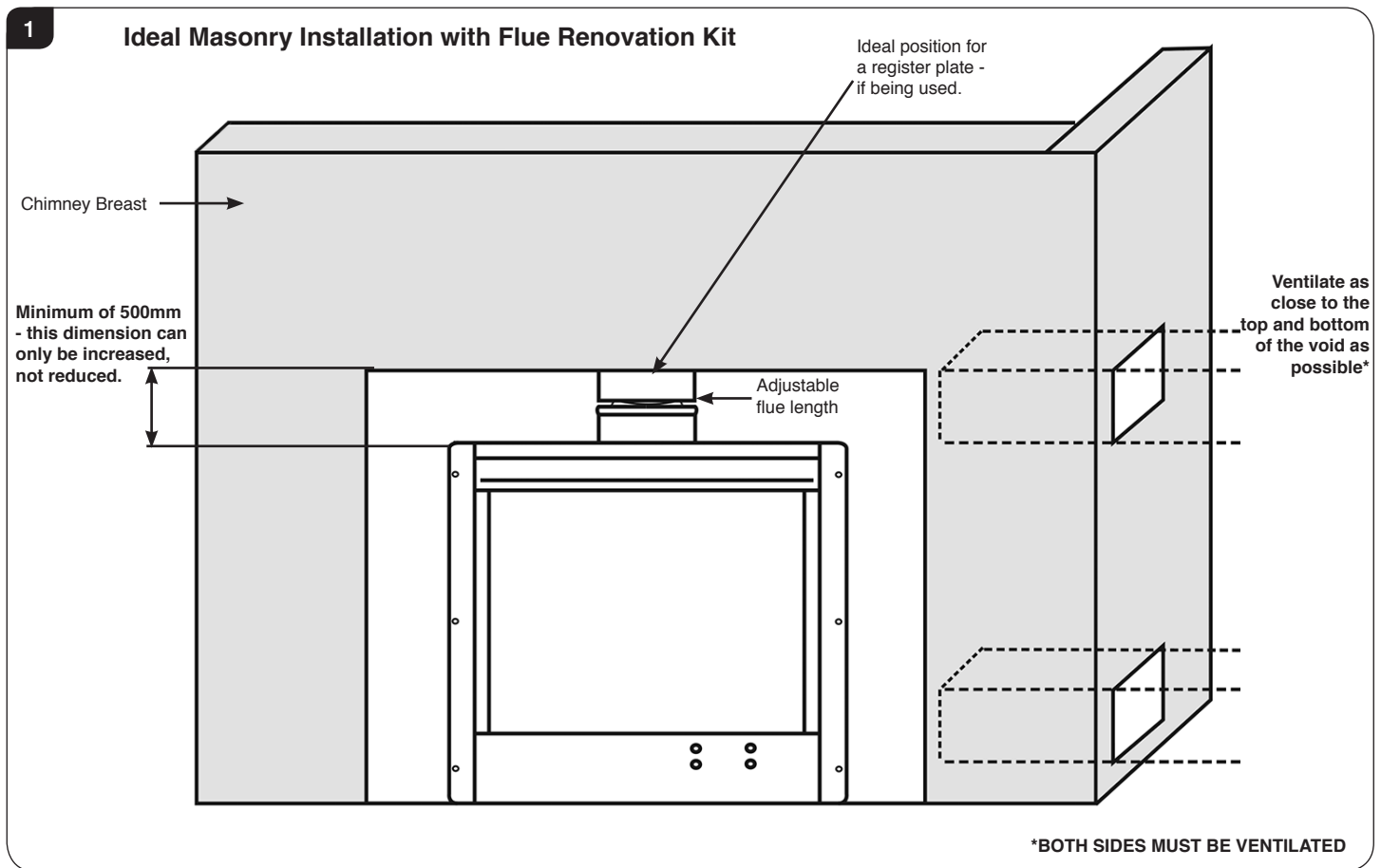
Installation Instructions

2. Appliance Installation

2.1 Install the appliance after the flue system has been correctly assembled. For individual appliance installation requirements see the relevant instruction manual.

Reflex 75T Models only

Please note this appliance has been primarily designed for studwork applications. However, there are circumstances where the appliance could be installed in a block or brickwork fireplace using different methods and materials for the final effect.
THIS VOID MUST BE VENTED TO PREVENT HEAT BUILD UP AROUND THE APPLIANCE.



All Models

2.2 Choose the Renovation Kit Installation Option:

Option 1 - Section 3, Page 9.

Option 2 - Section 4, Page 12.



NOTE: Option 1 is not suitable for Multi-Sided products. These products must be installed using Option 2 only.

Installation Instructions

3. Option 1

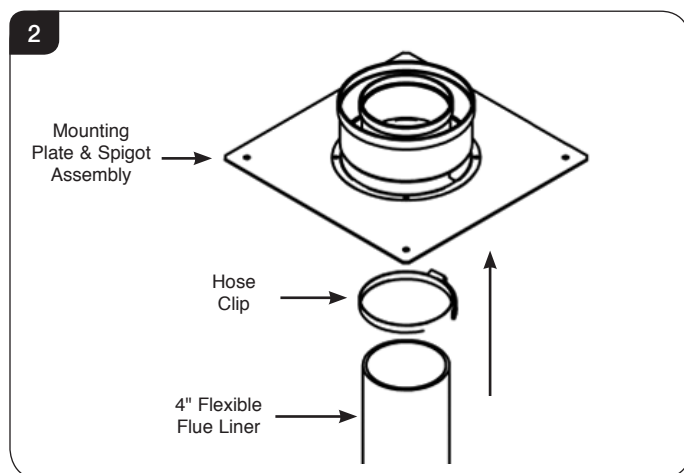


NOTE: Option 1 is **not** suitable for Multi-Sided products. These products **must** be installed using Option 2 only.

3a. Fitting the Terminal

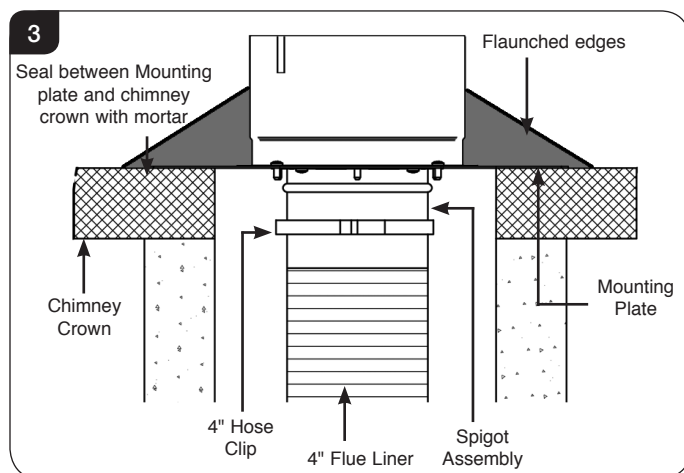
The liner must be installed in accordance with the manufacturers instructions.

- 3a.1 Slide the 4" Hose Clip over the flexible flue liner. Attach the flue liner to the top Mounting Plate and Spigot Assembly, see Diagram 2.



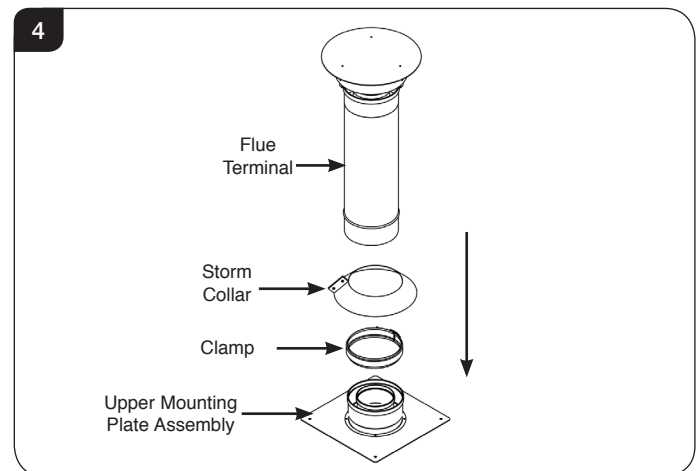
Tighten the Hose Clip so that the liner is held securely to the spigot.

- 3a.2 Feed the liner down the chimney and secure the Top Mounting plate on a bed of mortar on top of the chimney breast, see Diagram 3.

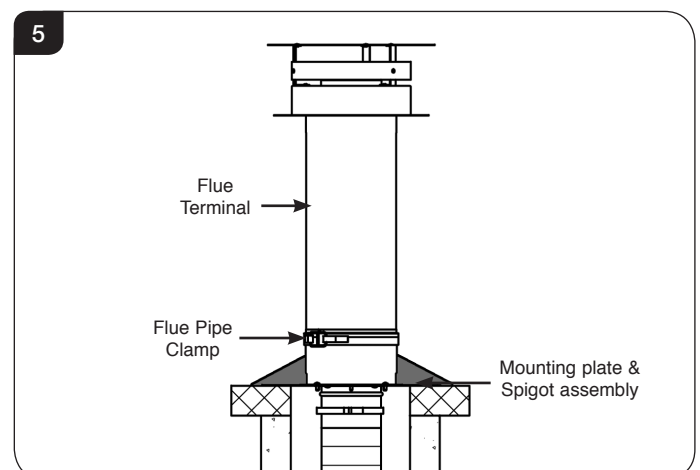


- 3a.3 Secure the Mounting plate to the chimney crown with four screws and flaunch the edges of the plate with additional mortar to create a smooth run off that ensures the rain water will not collect around the spigot.

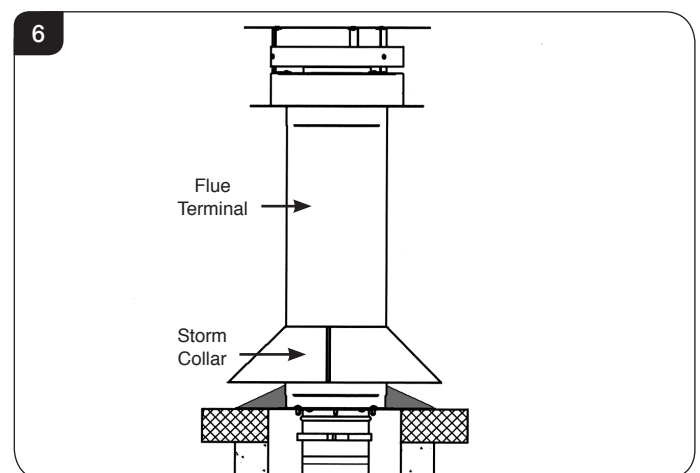
- 3a.4 Slide the flue pipe Clamp onto the Flue Terminal and fit the Flue Terminal into the spigot, see Diagram 4.



- 3a.5 Tighten the flue pipe Clamp to secure the Flue Terminal in place, see Diagram 5.



- 3a.6 Fit the Storm Collar around the Flue Terminal. Slide the Storm Collar down until it rests on top of the flue pipe clamp. Secure the Storm Collar in place by fitting and securely fastening the two fixing bolts, see Diagram 6.

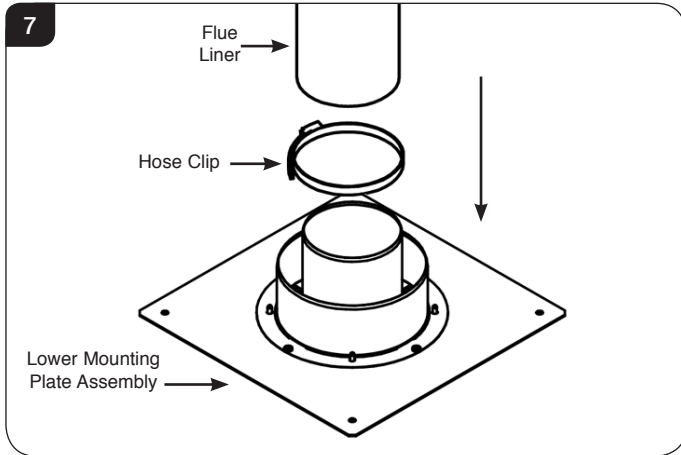


Installation Instructions

3b. Fitting the Lower Mounting Plate

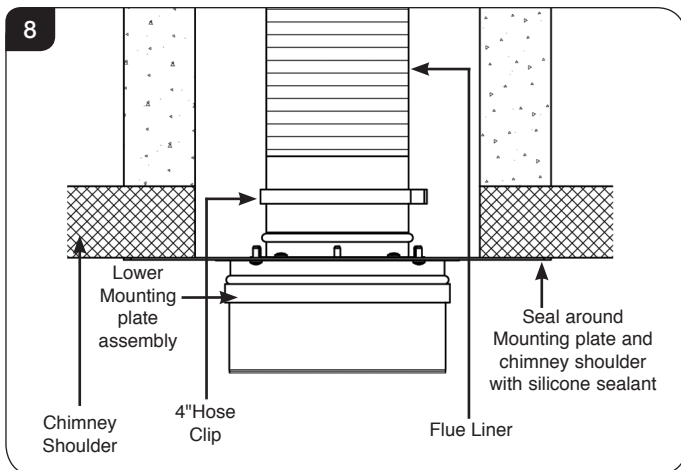
Once the Terminal has been attached the flue liner must be secured to the lower Mounting Plate at the bottom of the chimney.

- 3b.1 Trim the flue liner to the required length. Slide the 4" Hose Clip over the flexible flue liner. Attach the flue liner to the lower mounting plate assembly, see Diagram 7.

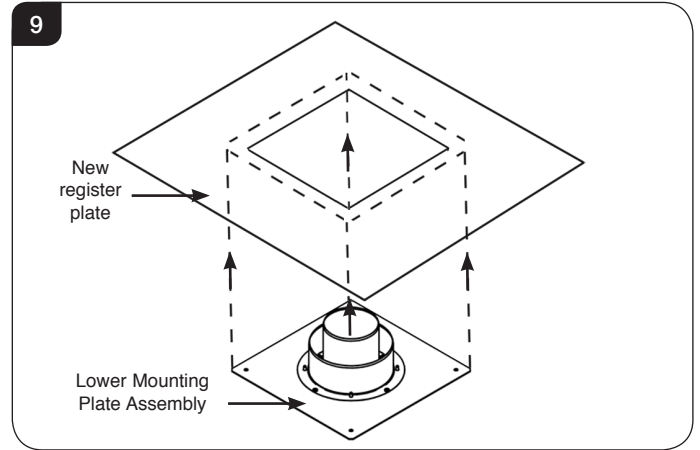


Tighten the 4" Hose Clip so that the liner is held securely to the spigot.

- 3b.2 Secure the Lower Mounting plate to the chimney breast with four screws and finish around the edges of the plate with a silicone based sealant to ensure that the installation is air tight, see Diagram 8.

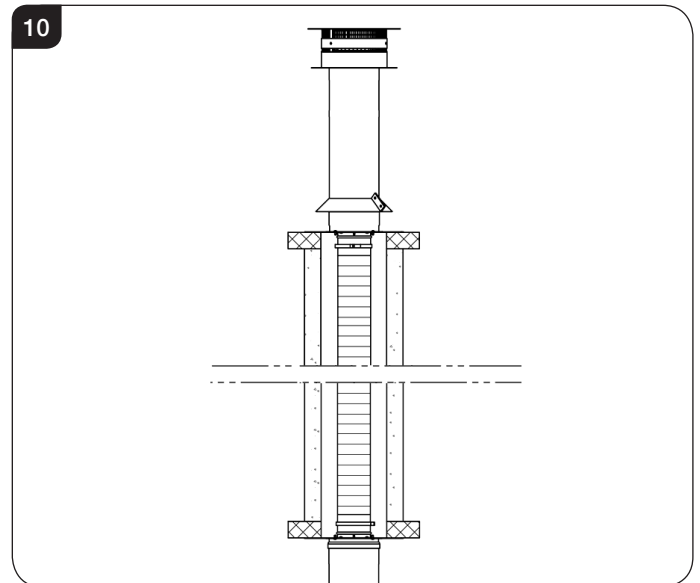


- 3b.3 The bottom of the chimney may require a larger register plate. This can be achieved by cutting a 175mm (7") diameter hole in the register plate and securely sealing the lower mounting plate assembly onto the register plate, see Diagram 9.



Make sure that all air ducts are left unobstructed.

- 3b.4 The flue system should be ready for the appliance to be installed, see Diagram 10.



3c. Fitting the Top Cover Plates (Riva2 800/1050 Models only)

When fitting the Riva2 with a renovation kit extra top cover plates must be fixed to the appliance top heat shield before installation.

There are 4 extra cover plates that need to be fitted to the existing appliance heat shield - 2 at the front and 2 at the rear.

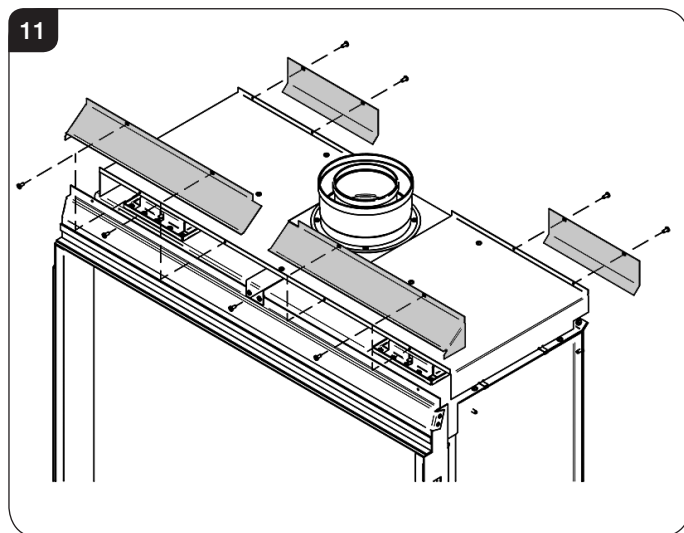
The 2 front cover plates are made to fit a specific side to aid installation but the 2 rear cover plates are designed to fit on either side.

Front Cover Plates

It is important to ensure that the cover plate engages under the top support bar on the front of the appliance (this is coloured Black). The folded end returns should be to the outside of the appliance.

Rear Cover Plates

The fold in the cover plate should be orientated so that it bends towards the back plate of the appliance.



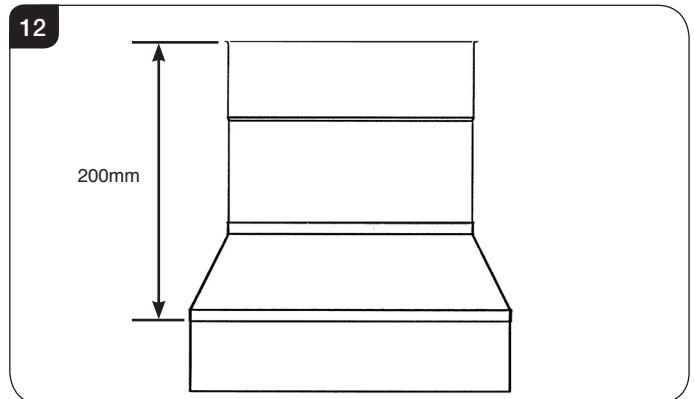
Installation Instructions

3d. Fitting the Adjustable Flue Pipe

Reflex 105 8" only

i **NOTE: This product is designed for and requires an 6" flue system.**

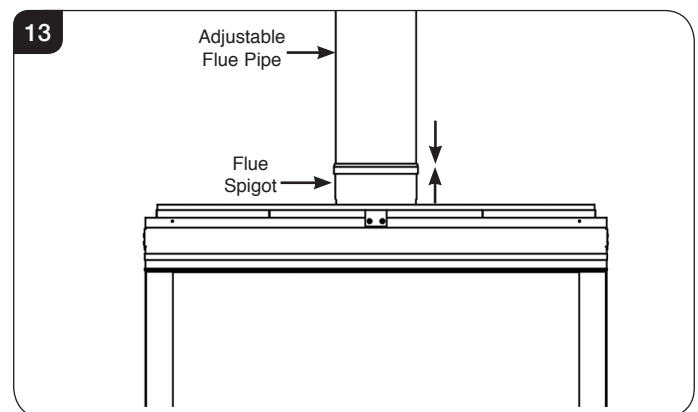
3d.1 Fit the adapter prior to connecting the flue pipe.



All Models

Position the appliance on the hearth. Ensure the top of the appliance spigot lines up directly under the Lower Mounting Plate assembly spigot.

3d.2 Insert the adjustable flue pipe into the appliance spigot making sure that it is pushed all the way into the spigot, see Diagram 13.



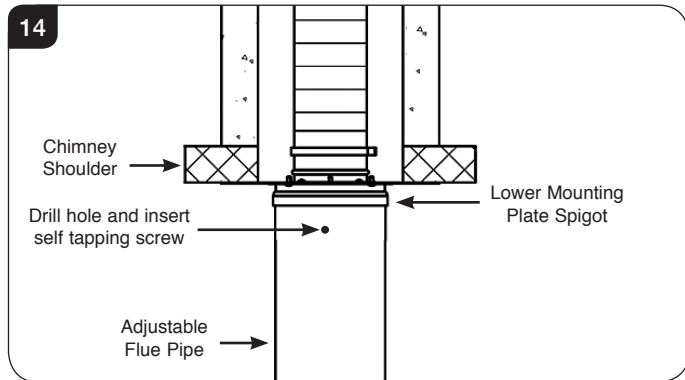
3d.3 Extend the adjustable flue pipe to connect the appliance to the lower mounting plate assembly. The minimum usable length of the adjustable flue pipe section is 300mm, the maximum is 490mm. If necessary use a solid piece of Gazco Balanced Flue pipe to extend the flue connection.

It is important to check that the adjustable flue pipe is engaged fully with the lower mounting plate spigot and the appliance spigot.

Installation Instructions

- 3d.4 The adjustable flue pipe section must be securely fastened to the lower mounting plate spigot so that there is no chance of the flue pipe becoming disconnected from the lower mounting plate.

The recommended method of achieving this is to drill a small hole in the top of the adjustable flue pipe into the spigot of the lower mounting plate. A self-tapping screw can then be inserted to secure the two components together, see Diagram 14.



- 3d.5 Continue the installation as detailed in the appliance instruction book, ensuring the gas tests and safety checks are carried out in full.

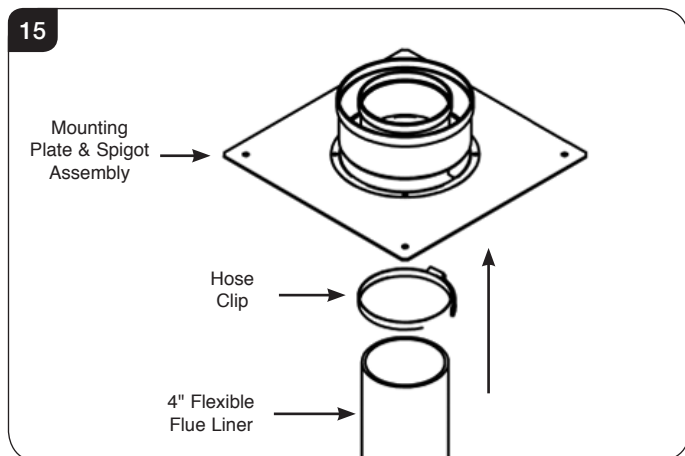
4. Option 2

4a. Fitting the Terminal

The liner must be installed in accordance with the manufacturers instructions.

4" Flexible Flue Liner - Inner Liner

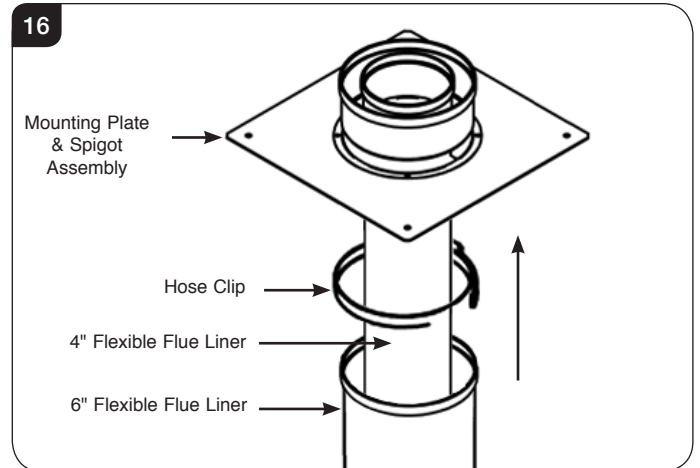
- 4a.1 Slide the 4" Hose Clip over the 4" flexible flue liner.
4a.2 Attach the flue liner to the top Mounting Plate and Spigot Assembly, see Diagram 15.



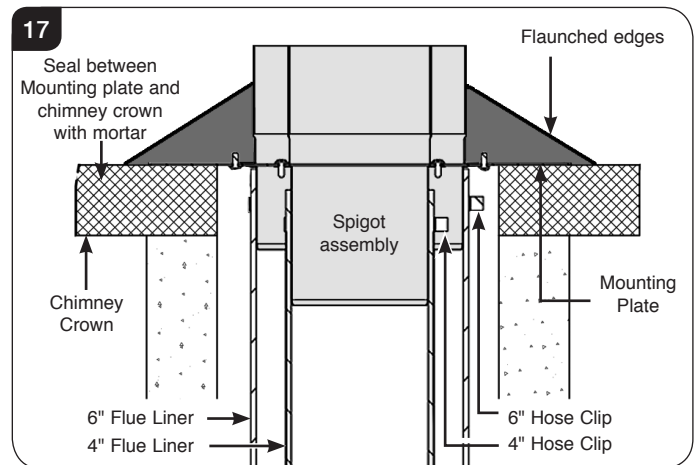
- 4a.3 Tighten the 4" Hose Clip so that the liner is held securely to the spigot.

6" Flexible Flue Liner - Outer Liner

- 4a.4 Slide the 6" Hose Clip over the 6" flexible flue liner.
4a.5 Slide the 6" flexible flue liner over the 4" flexible flue liner, see Diagram 16.



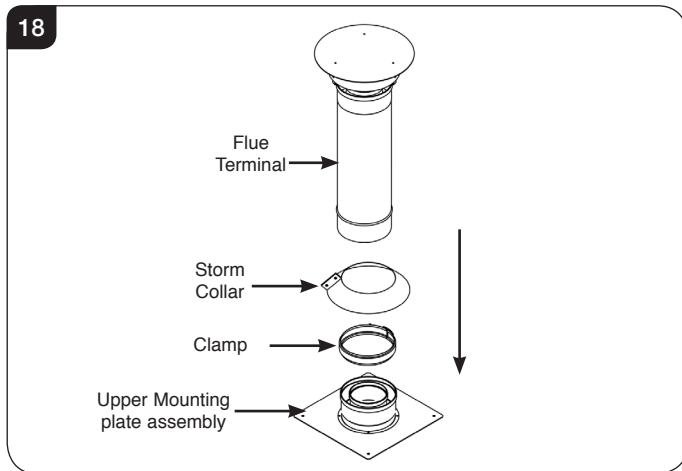
- 4a.6 Attach the flue liner to the top Mounting Plate and Spigot Assembly.
4a.7 Tighten the 6" Hose Clip so that the liner is held securely to the spigot.
4a.8 Feed the liners down the chimney and secure the Top Mounting Plate on a bed of mortar on top of the chimney breast, see Diagram 17.



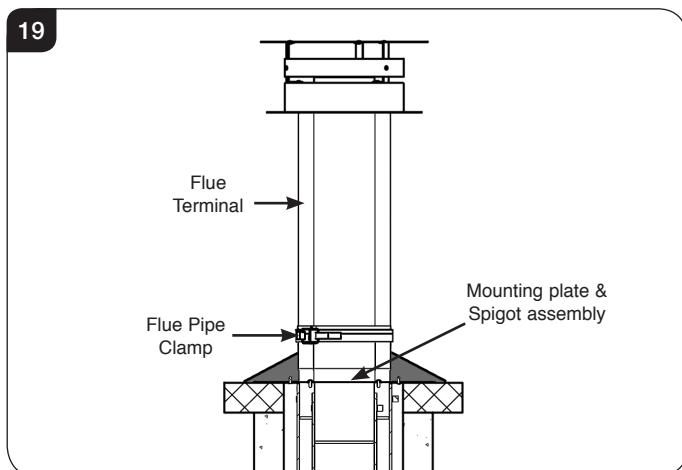
- 4a.9 Secure the Mounting Plate to the chimney crown with four screws and flaunch the edges of the plate with additional mortar to create a smooth run off that ensures the rain water will not collect around the spigot.

Installation Instructions

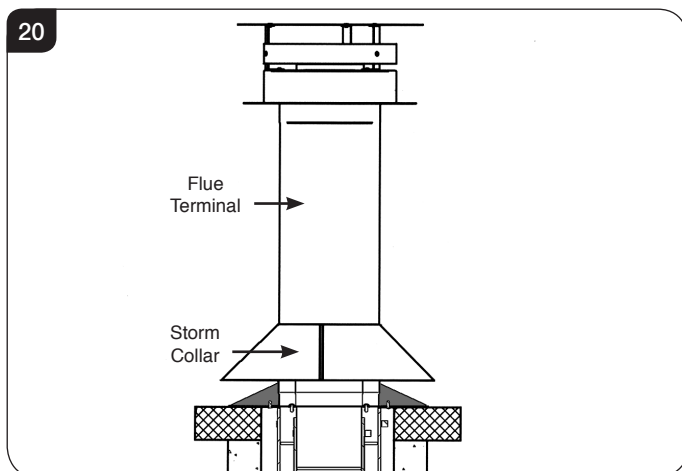
4a.10 Slide the flue pipe Clamp onto the Flue Terminal and fit the Flue Terminal into the spigot, see Diagram 18.



4a.11 Tighten the flue pipe Clamp to secure the Flue Terminal in place, see Diagram 19.



4a.12 Fit the Storm Collar around the Flue Terminal. Slide the Storm Collar down until it rests on top of the flue pipe clamp. Secure the Storm Collar in place by fitting and securely fastening the two fixing bolts, see Diagram 20.

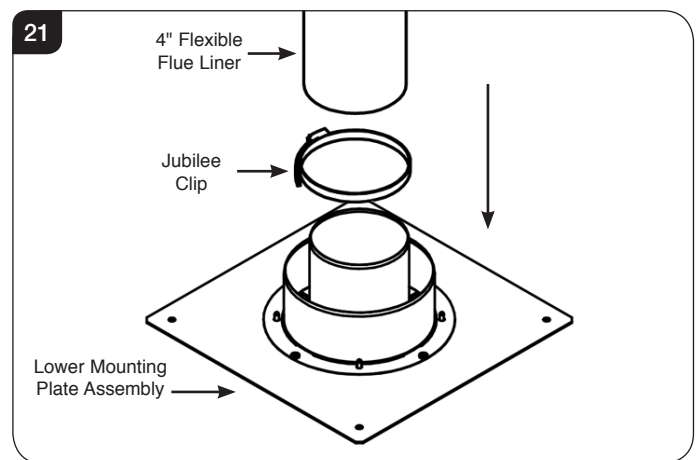


4b. Fitting the Lower Mounting Plate

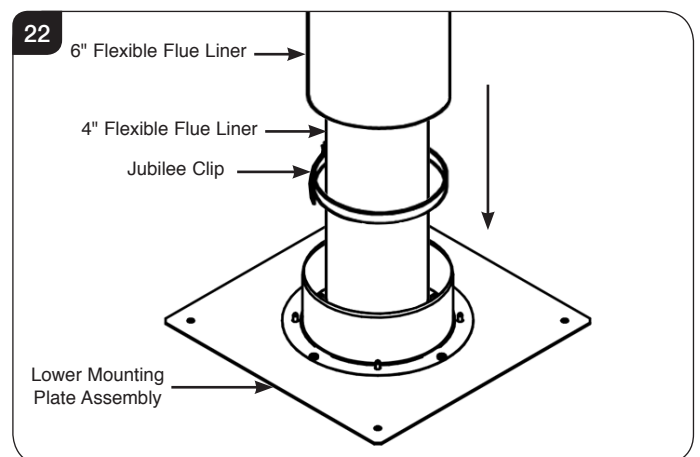
Once the Terminal has been attached the flue liners must be secured to the lower Mounting Plate at the bottom of the chimney.

It is recommended that this is carried out by 2 people.

- 4b.1 Trim the flue liners to the required length.
- 4b.2 Slide the 2 Hose Clips over the respective flexible flue liners.
- 4b.3 Support the 6" flexible flue liner and attach the 4" flue liner to the lower Mounting Plate Assembly, see Diagram 21.



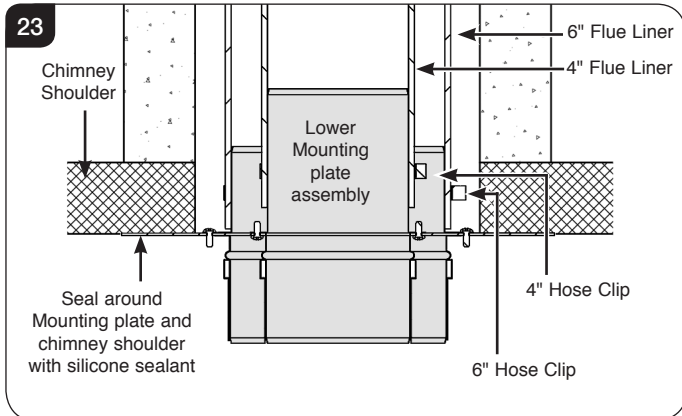
- 4b.4 Tighten the 4" Hose Clip so that the liner is held securely to the spigot.
- 4b.5 Slide the 6" flexible flue liner over the 4" flexible flue liner and attach to the lower Mounting Plate Assembly, see Diagram 22.



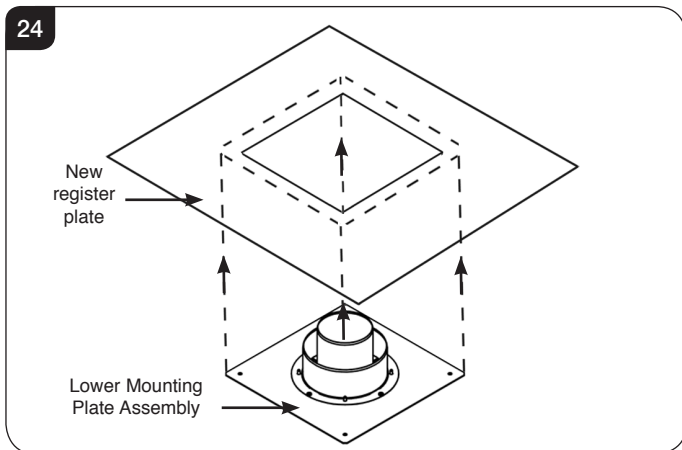
- 4b.6 Tighten the 6" Hose Clip so that the liner is held securely to the spigot.

Installation Instructions

- 4b.7 Secure the Lower Mounting plate to the chimney breast with four screws and finish around the edges of the plate with a silicone based sealant to ensure that the installation is air tight, see Diagram 23.

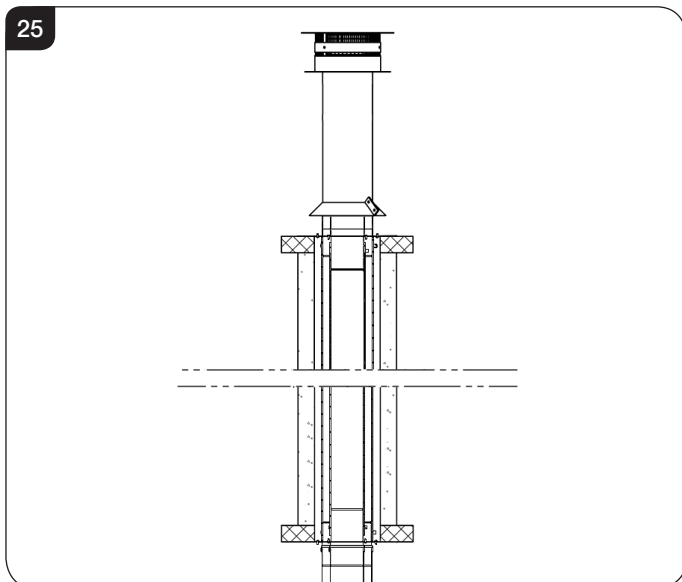


- 4b.8 The bottom of the chimney may require a larger register plate. This can be achieved by cutting a 175mm (7") diameter hole in the register plate and securely sealing the lower Mounting Plate Assembly onto the register plate, see Diagram 24.



Make sure that all air ducts are left unobstructed.

- 4b.9 The flue system should be ready for the appliance to be installed, see Diagram 25.



4c. Fitting the Top Cover Plates (Riva2 800/1050 Models only)

When fitting the Riva2 with a renovation kit extra top cover plates must be fixed to the appliance top heat shield before installation.

There are 4 extra cover plates that need to be fitted to the existing appliance heat shield - 2 at the front and 2 at the rear.

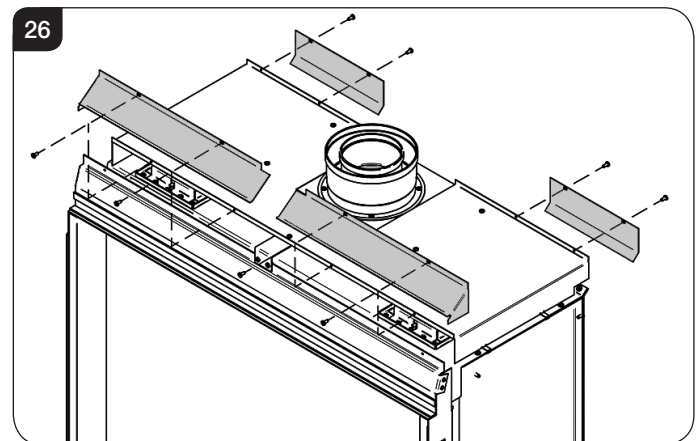
The 2 front cover plates are made to fit a specific side to aid installation but the 2 rear cover plates are designed to fit on either side.

Front Cover Plates

It is important to ensure that the cover plate engages under the top support bar on the front of the appliance (this is coloured Black). The folded end returns should be to the outside of the appliance.

Rear Cover Plates

The fold in the cover plate should be orientated so that it bends towards the back plate of the appliance.



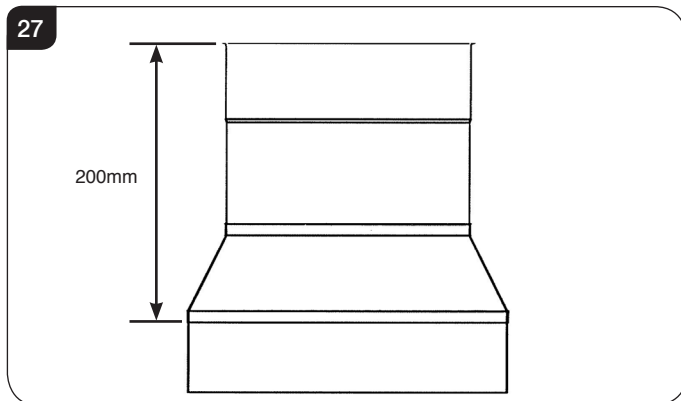
4d. Fitting the Adjustable Flue Pipe

Reflex 105 8" only



NOTE: This product is designed for and requires an 6" flue system.

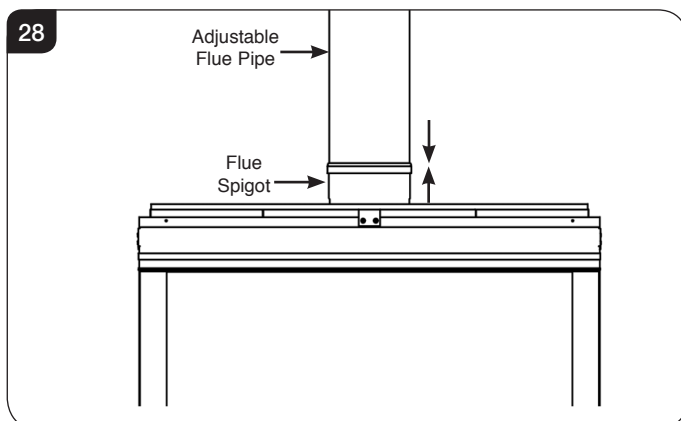
4d.1 Fit the adapter prior to connecting the flue pipe.



All Models

Position the appliance on the hearth. Ensure the top of the appliance spigot lines up directly under the Lower Mounting Plate assembly spigot.

4d.2 Insert the adjustable flue pipe into the appliance spigot making sure that it is pushed all the way into the spigot, see Diagram 28.

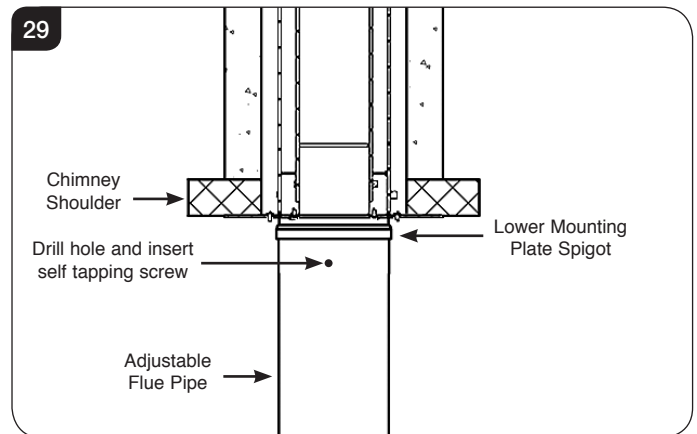


4d.3 Extend the adjustable flue pipe to connect the appliance to the lower mounting plate assembly. The minimum usable length of the adjustable flue pipe section is 300mm, the maximum is 490mm.
If necessary use a solid piece of Gazco Balanced Flue pipe to extend the flue connection.

It is important to check that the adjustable flue pipe is engaged fully with the lower mounting plate spigot and the appliance spigot.

4d.4 The adjustable flue pipe section must be securely fastened to the lower mounting plate spigot so that there is no chance of the flue pipe becoming disconnected from the lower mounting plate.

The recommended method of achieving this is to drill a small hole in the top of the adjustable flue pipe into the spigot of the lower mounting plate. A self-tapping screw can then be inserted to secure the two components together, see Diagram 29.



4d.5 Continue the installation as detailed in the appliance instruction book, ensuring the gas tests and safety checks are carried out in full.

Gazco Limited, Osprey Road, Sowton Industrial Estate, Exeter, Devon, England EX2 7JG
Technical Customer Services (01392) 261950 Fax: (01392) 261951
E-mail: technicalservices@gazco.com

A member of the Stovax Group

E & O E