

Ⓒ Installation and user manual



---

# Me Ceiling - for sloping ceiling

---

Art.no: SA-ME000-C24

Last updated: 22.11.2018

Test Report No: RRF 40 17 4683, NS 17 4683

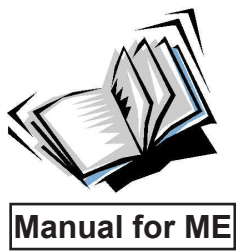
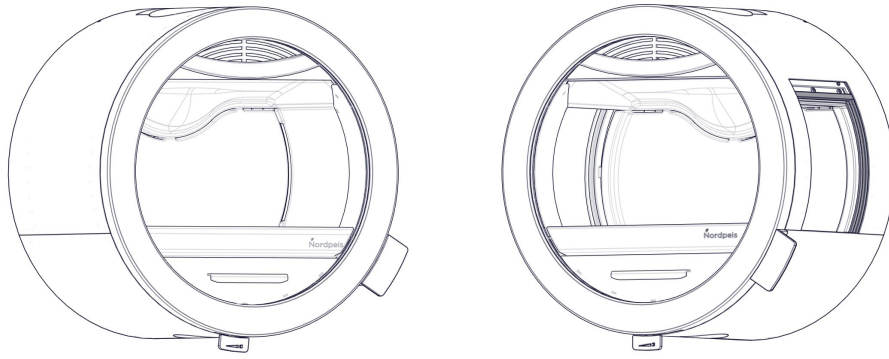
**IMPORTANT:** Included in the installation kit are 4 x Ø8x120 wood screws. These are only intended for use in solid wood beams. As the ceiling / roof will support the entire weight of the stove and the chimney it is important that the ceiling attachment is made according to your local construction requirements.

**GB**

If your ceiling construction is made from other material we strongly suggest to use protruding M8 bolts or threaded bars with appropriate washers on top.

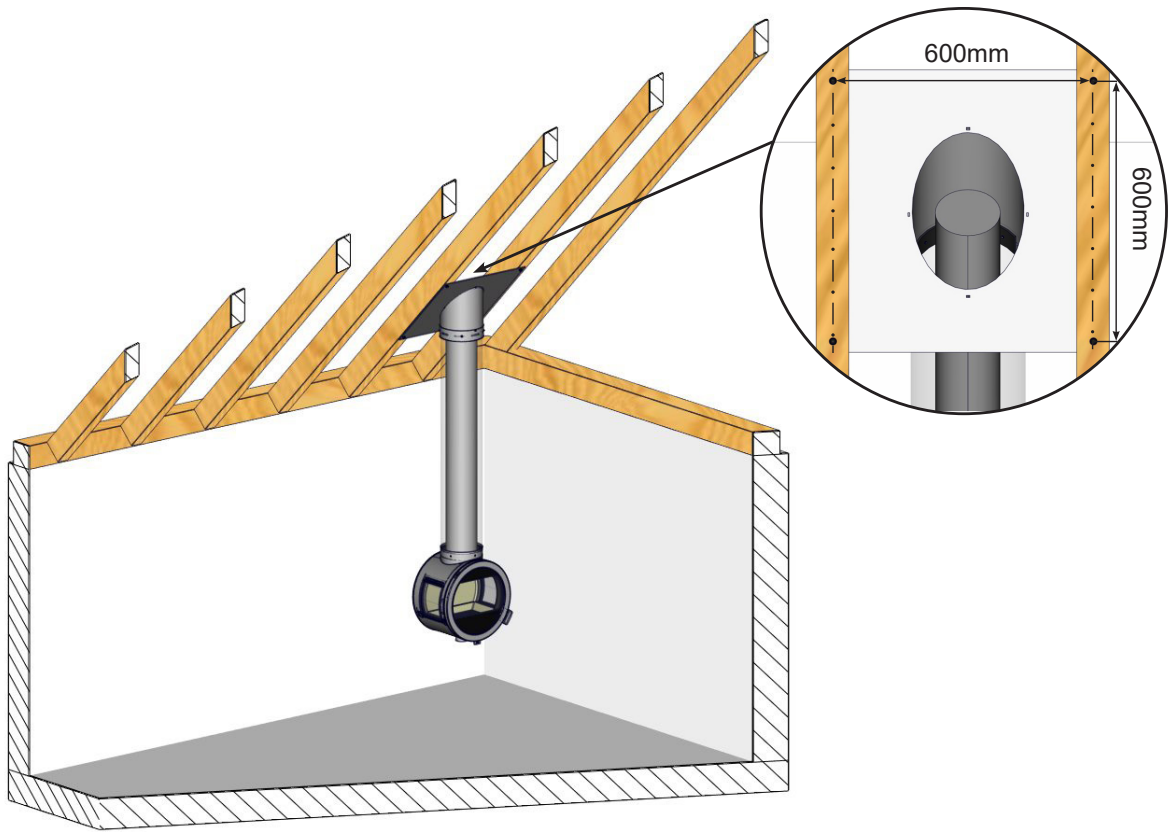
**We recommend a maximum chimney weight of 150 kg.**

**ATTENTION: Always follow the chimney manufacturer's instructions and safety distances!**



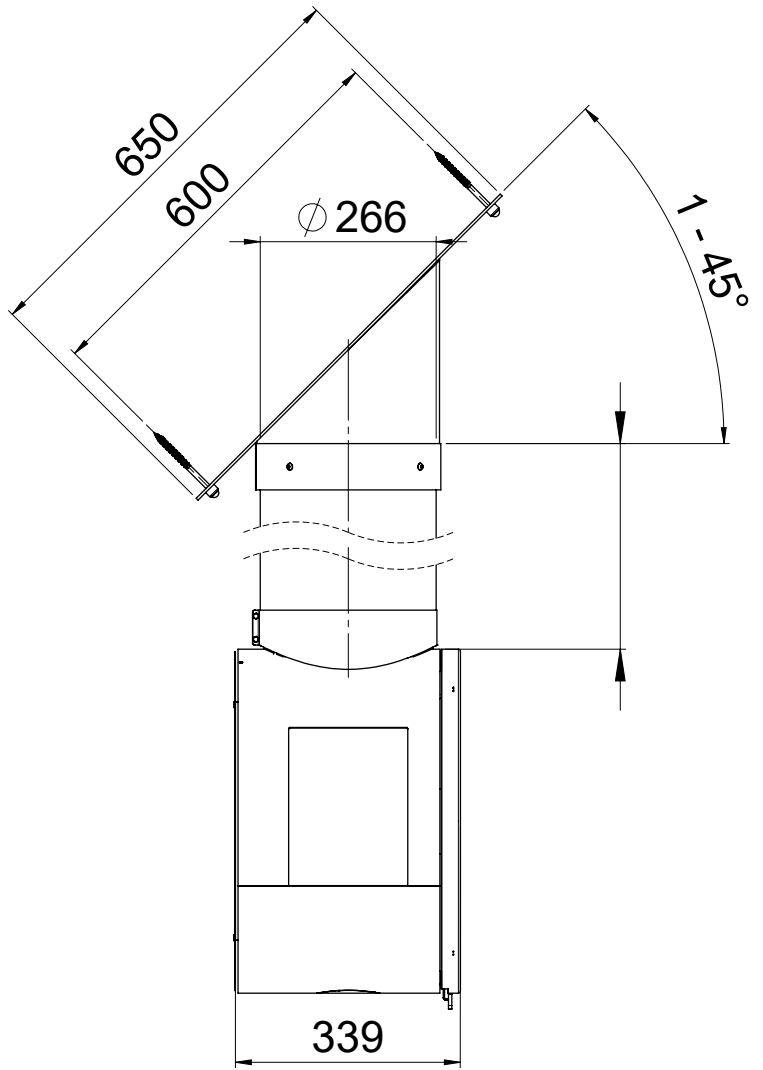
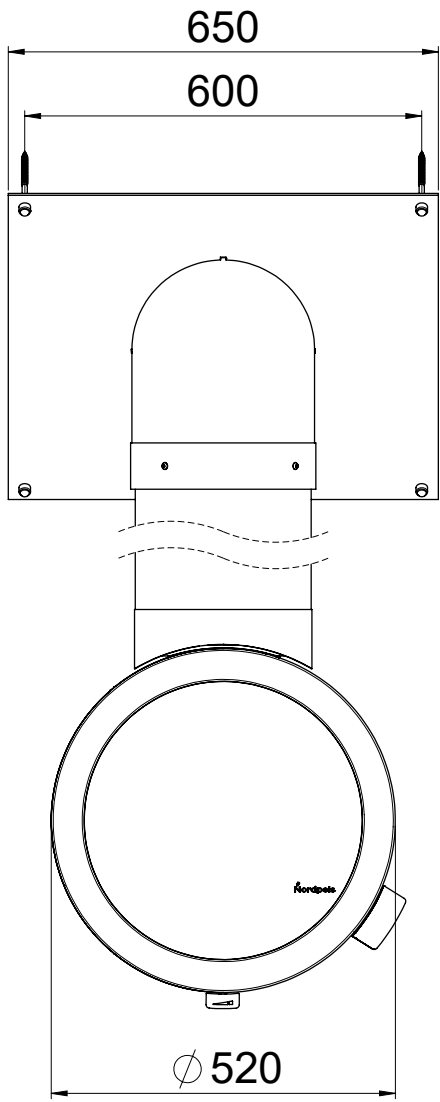
See separate instruction

FIG 1



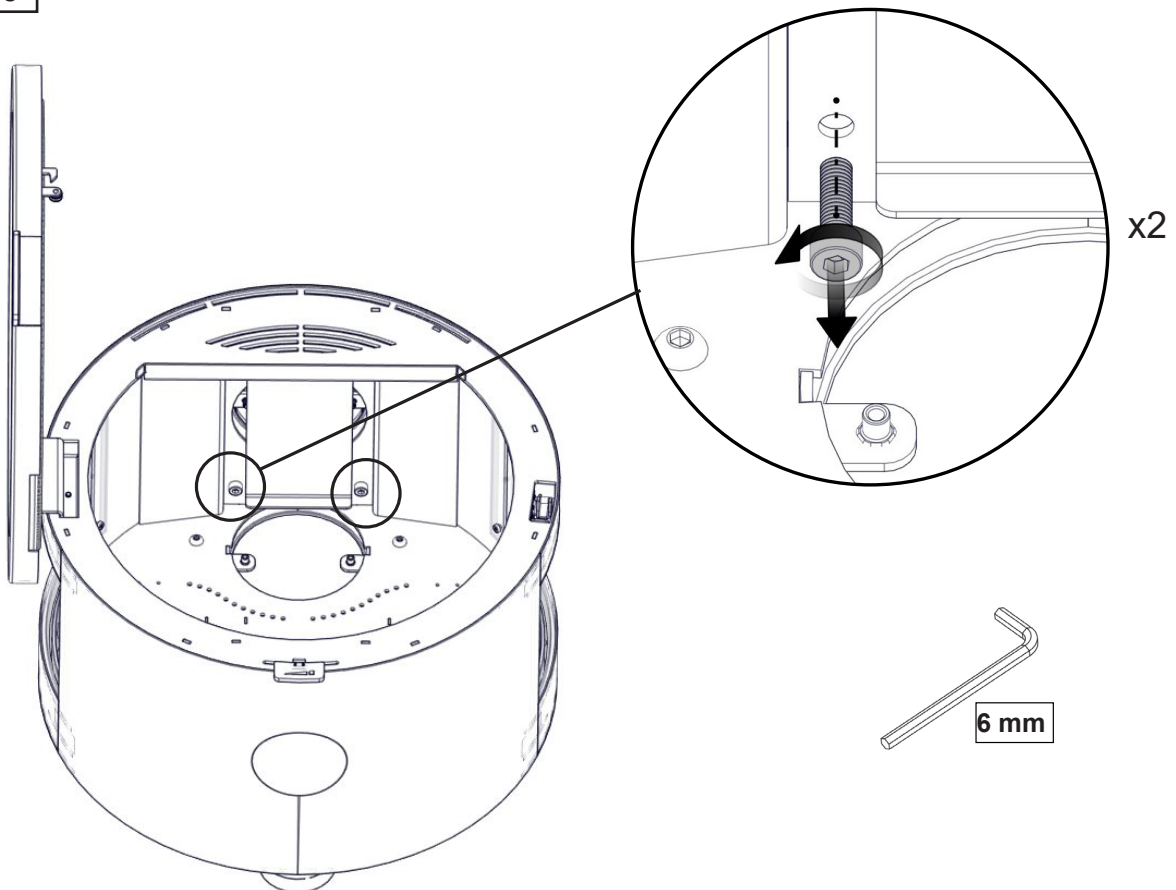
**FIG 2**

Me for sloping ceiling = mm / air / chimney

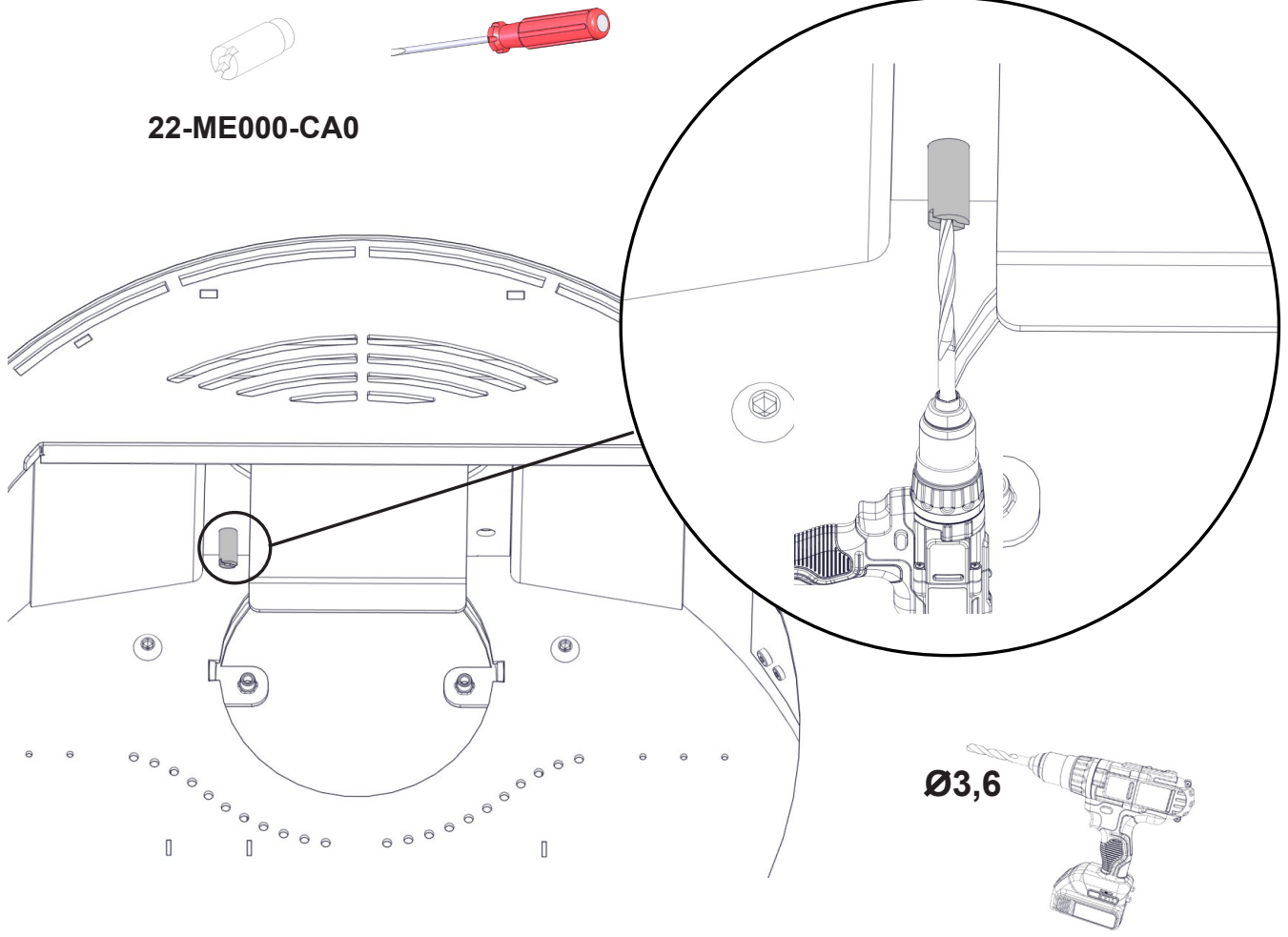


**GB** Refer to the installation manual for ME and remove the Thermotte liner.

**FIG 3**



**FIG 4**



**22-ME000-CA0**

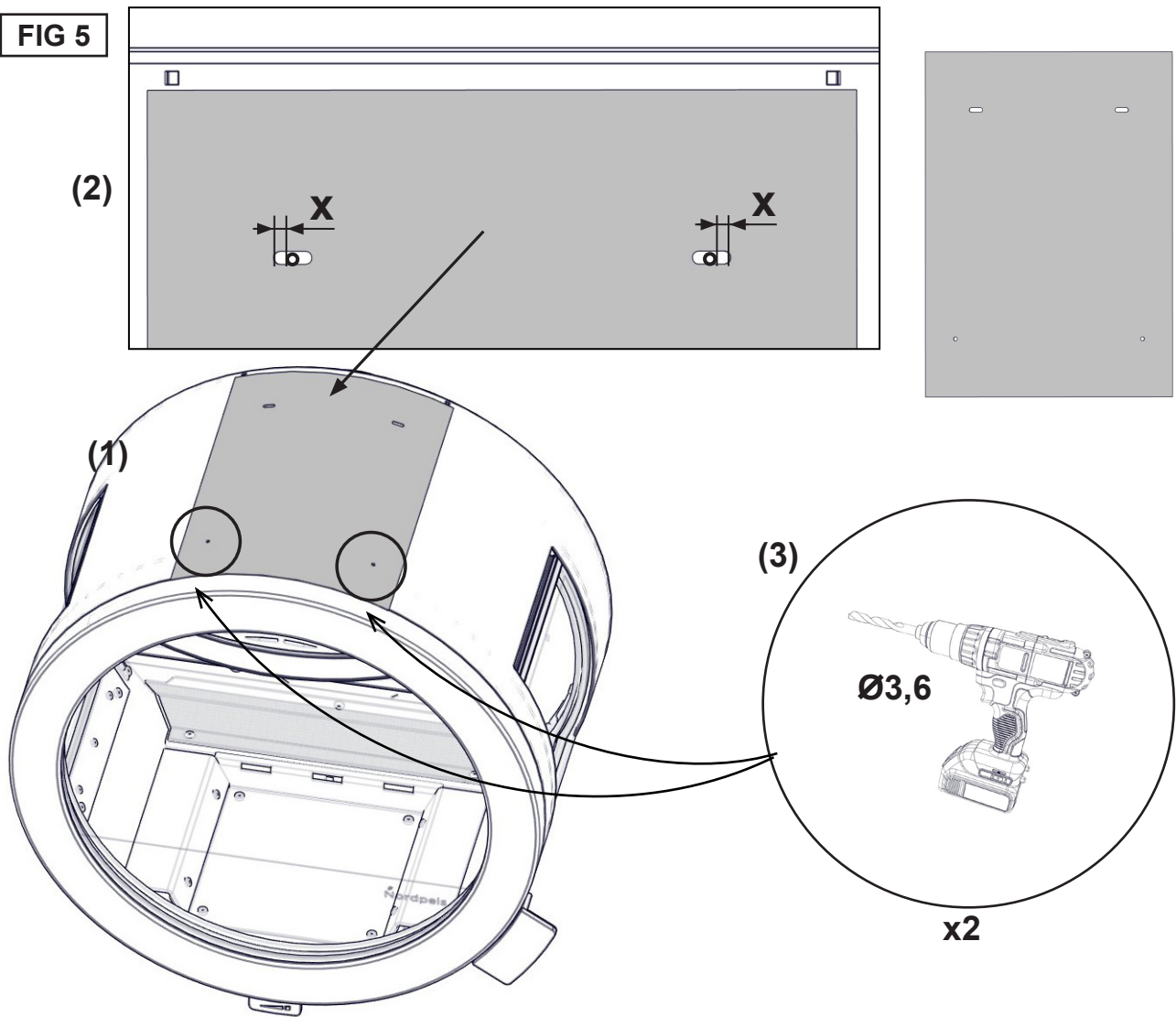
**Ø3,6**



**GB**

Insert the drill bush into the two rear holes and drill through the outer body of the stove with the supplied 3,6mm drill. **Attention! Do not press too hard while drilling so that the drill does not slip off the drilling point.**

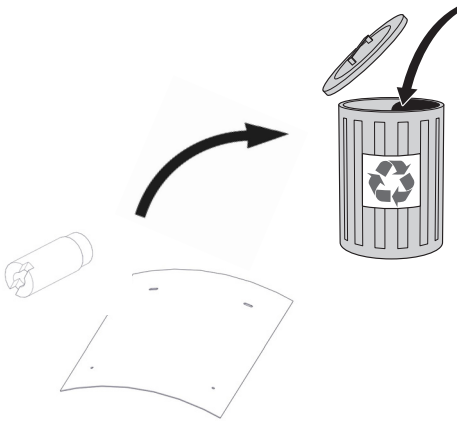
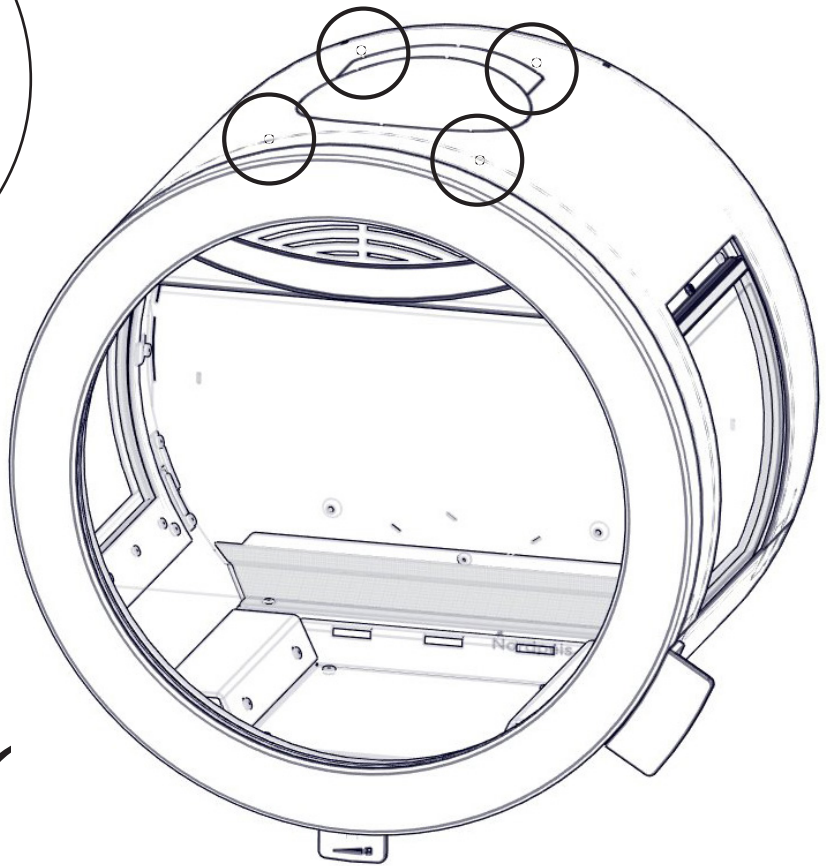
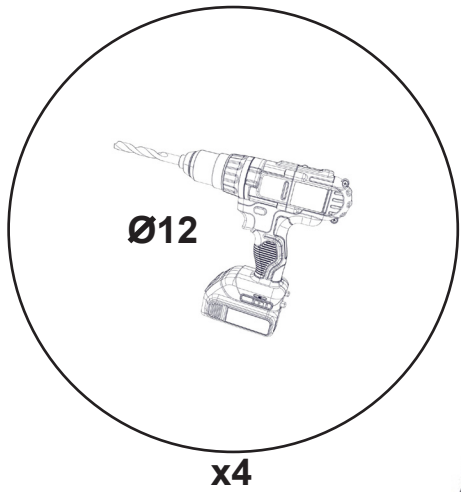
**FIG 5**



**GB**

Apply the supplied magnetic (1) drill jig to the top of the stove as illustrated. Make sure the two rear holes are centered in the two bean-shaped perforations (2) before drilling the two front holes accordingly to the jig (3).

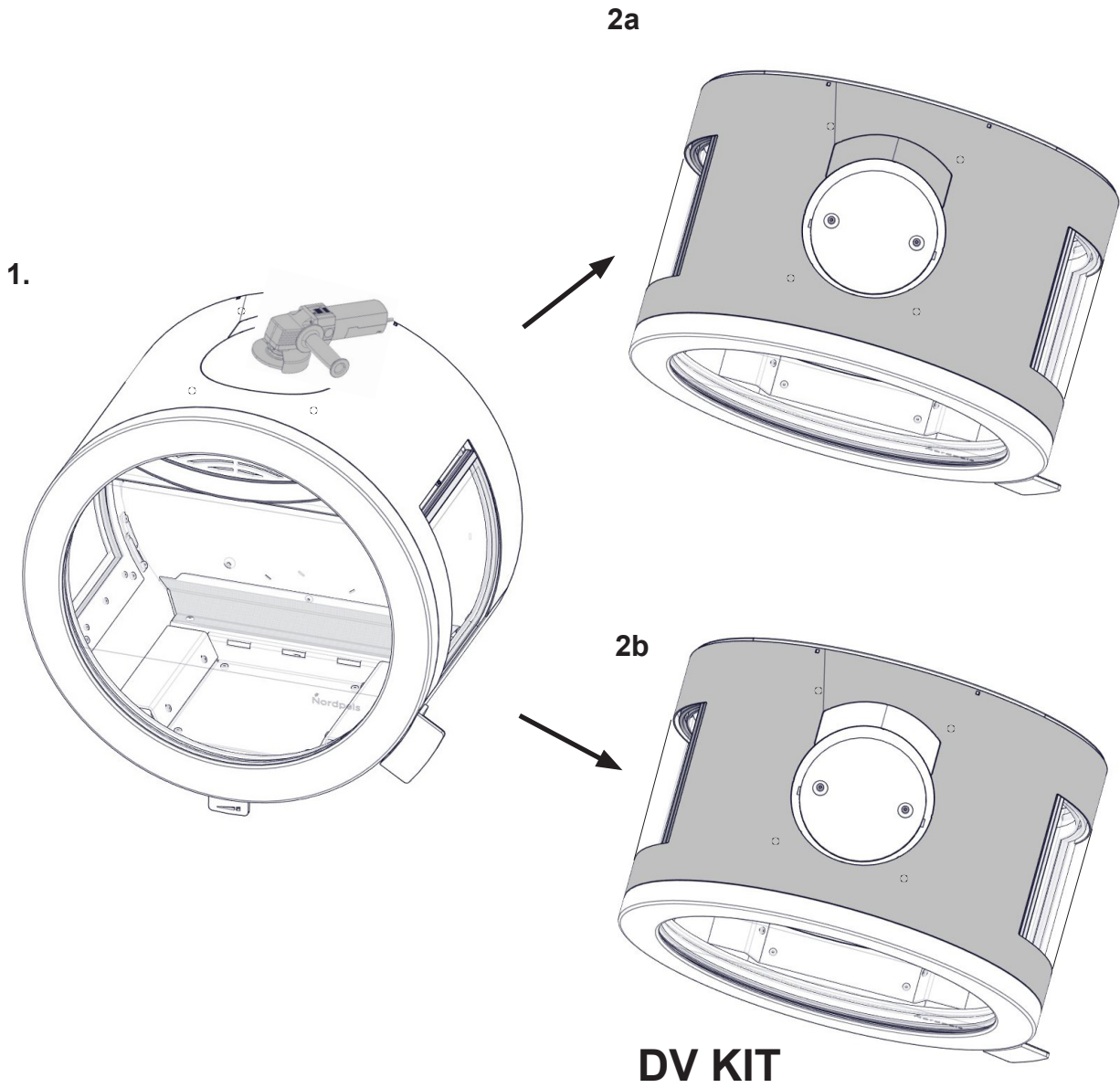
**FIG 6**



**GB** Drill the holes only in the outer body.

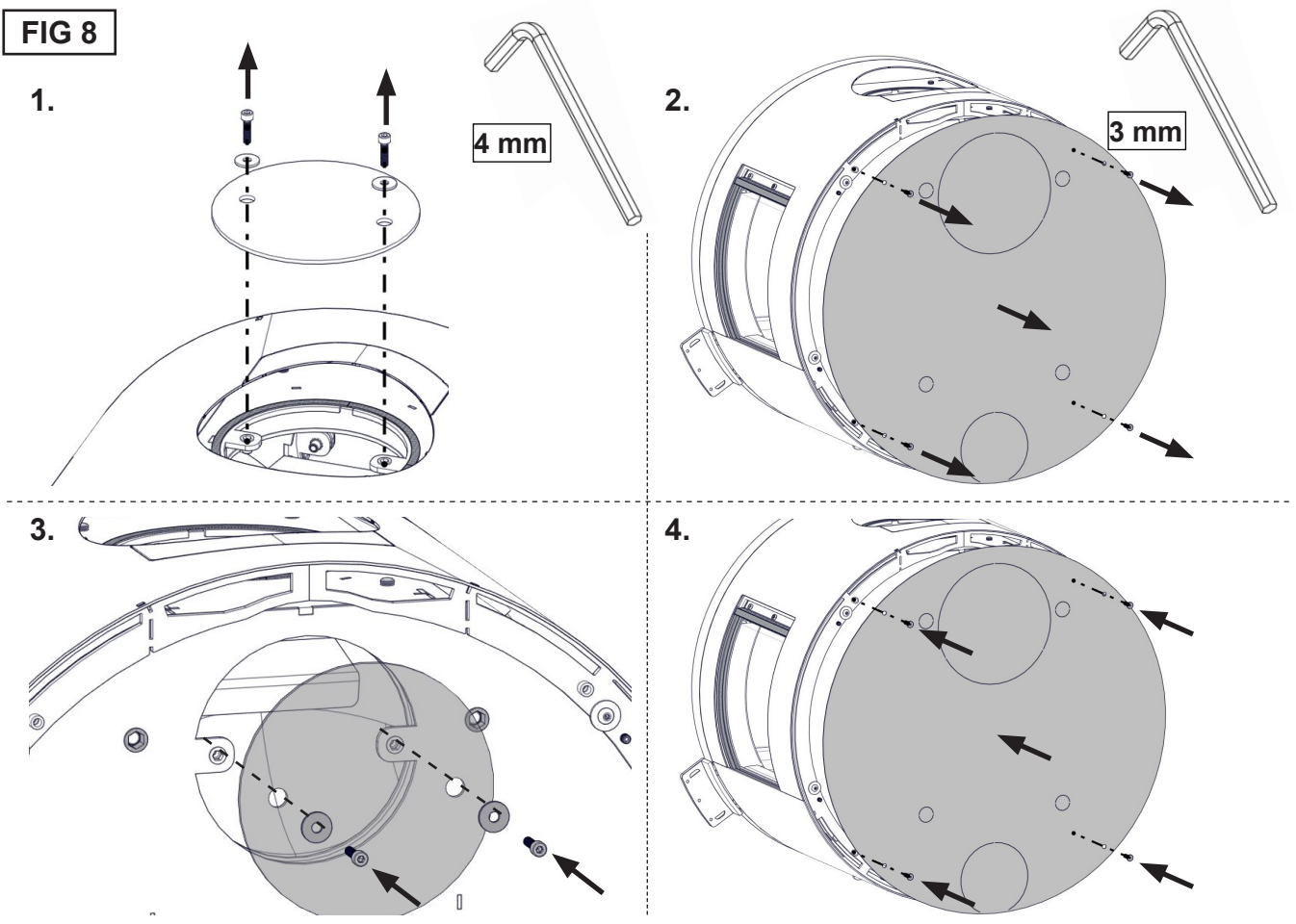


**FIG 7**

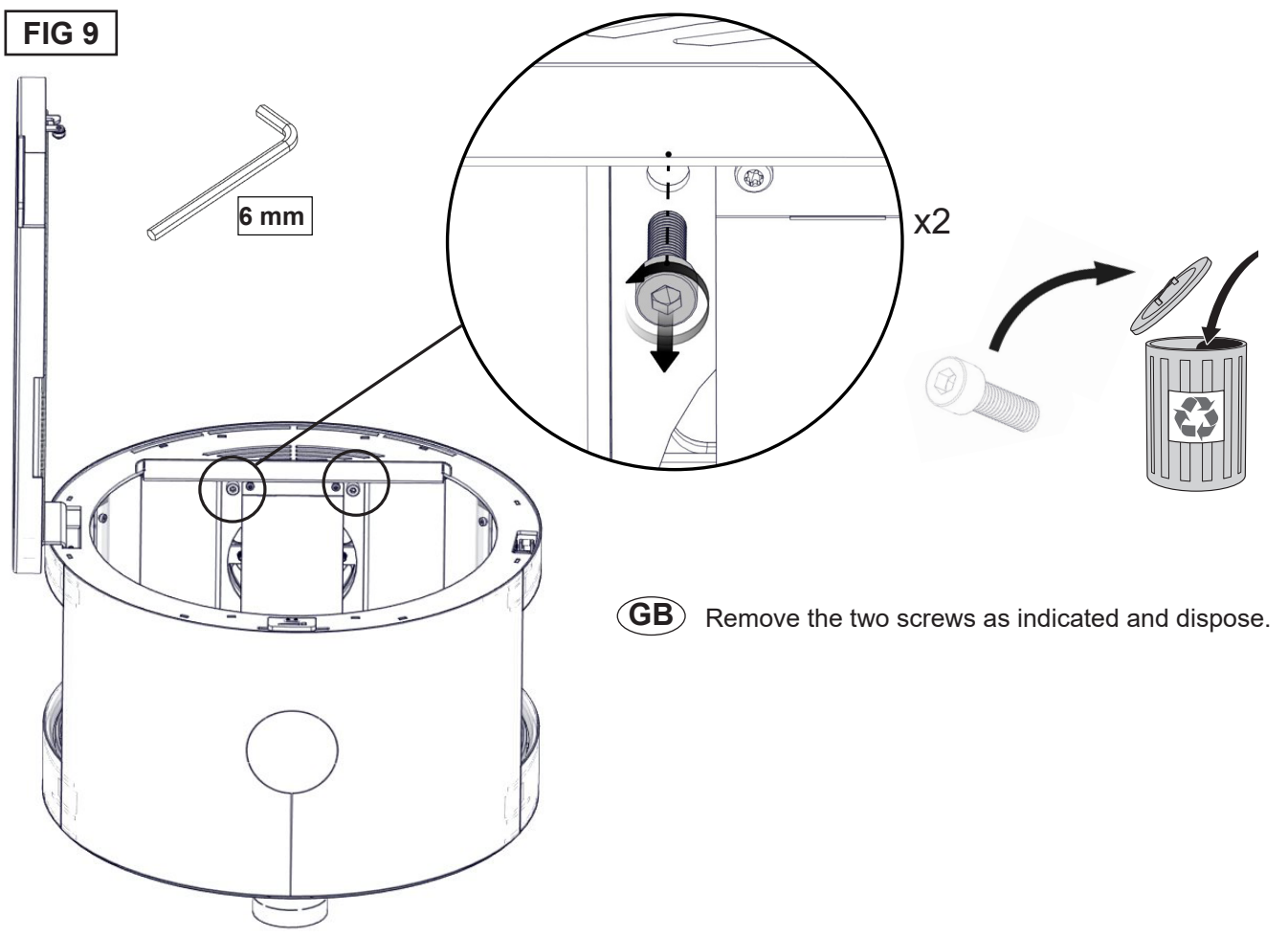


**GB** Remove the flue cover in the outer stove body with an angle grinder.

**FIG 8**

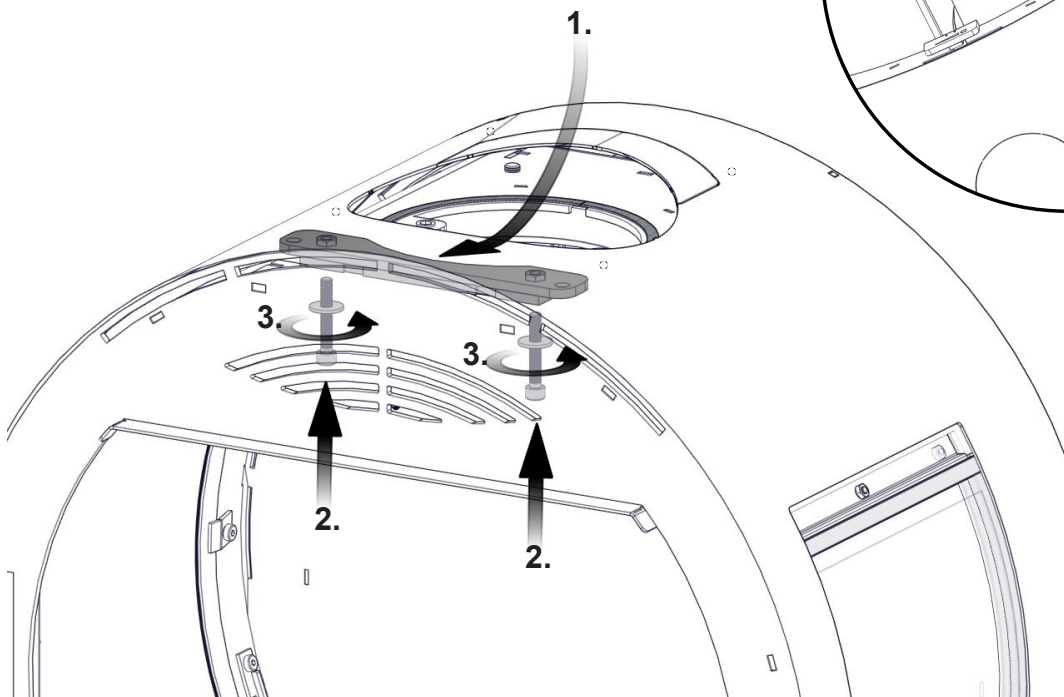
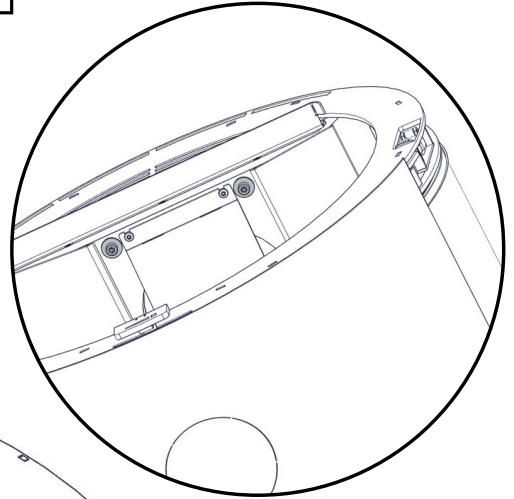
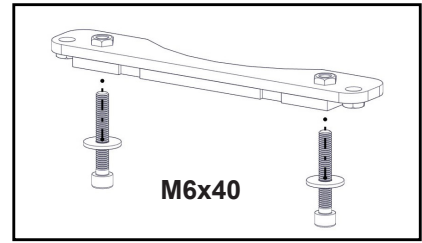
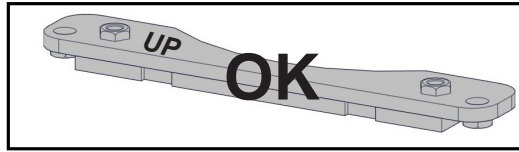
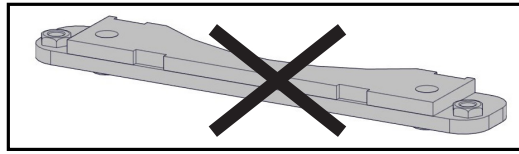
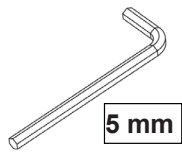


**FIG 9**



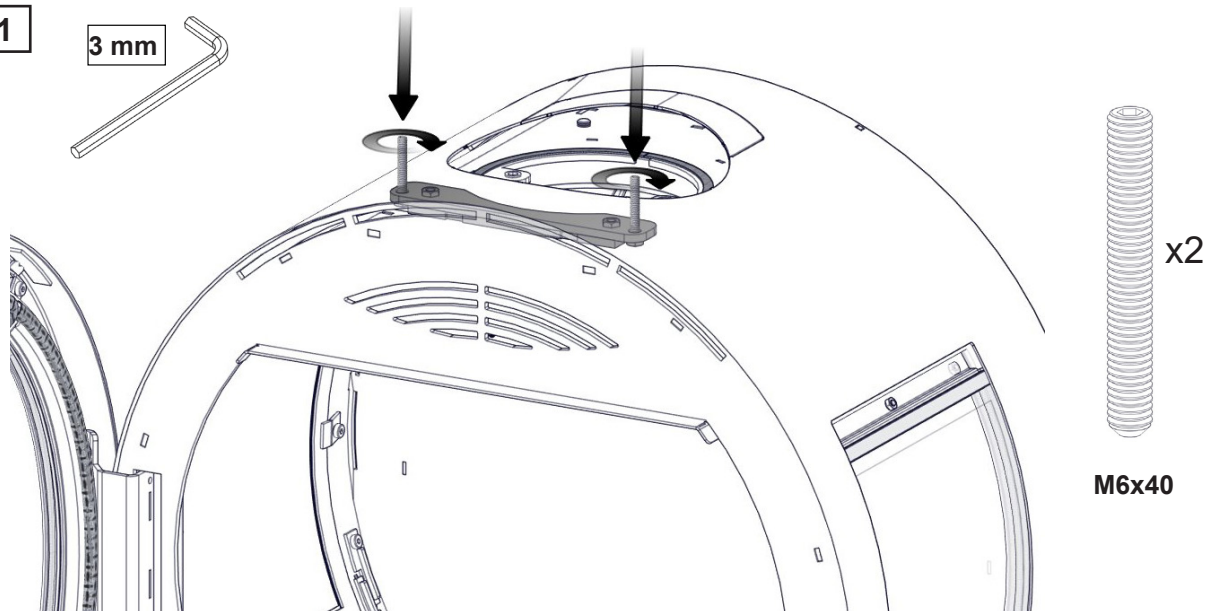
**GB** Remove the two screws as indicated and dispose.

**FIG 10**



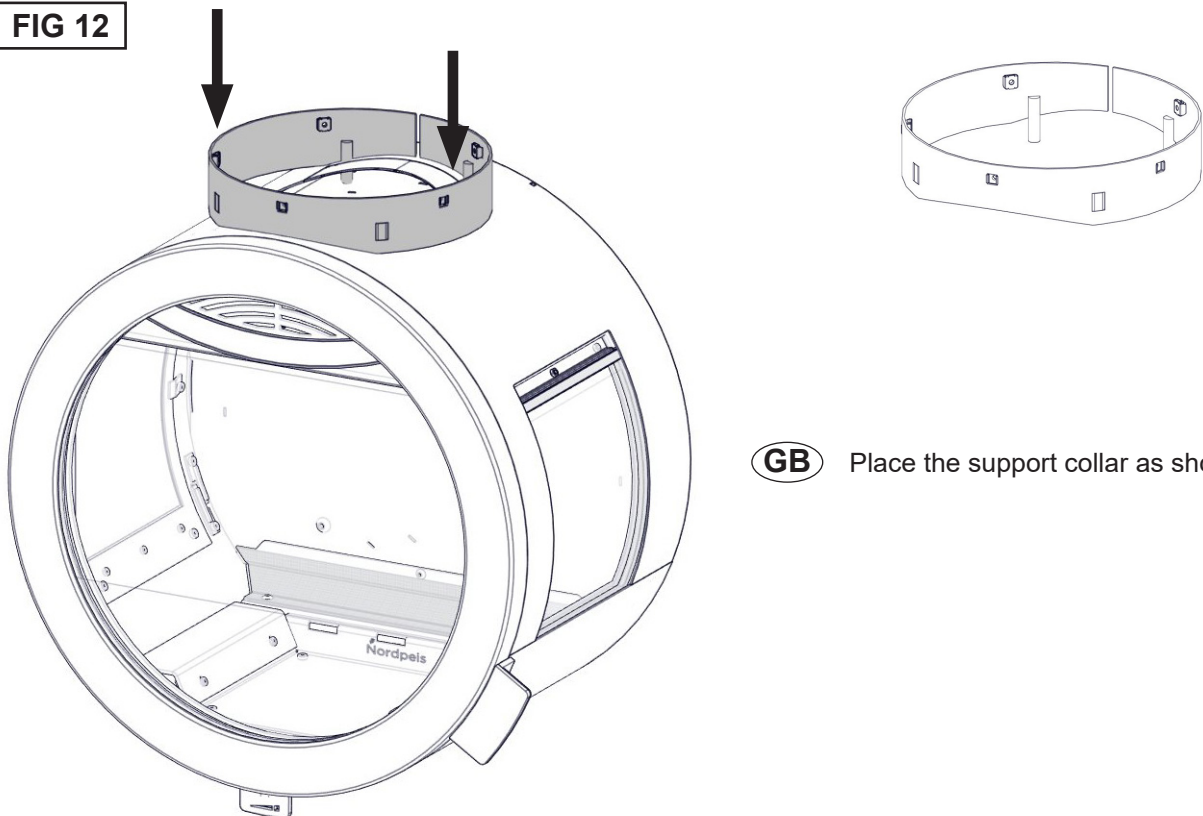
**GB** Place the connection bar between the inner and outer stove body using the two supplied 6 x 40mm bolts with washers to fasten it through the now empty holes.

**FIG 11**



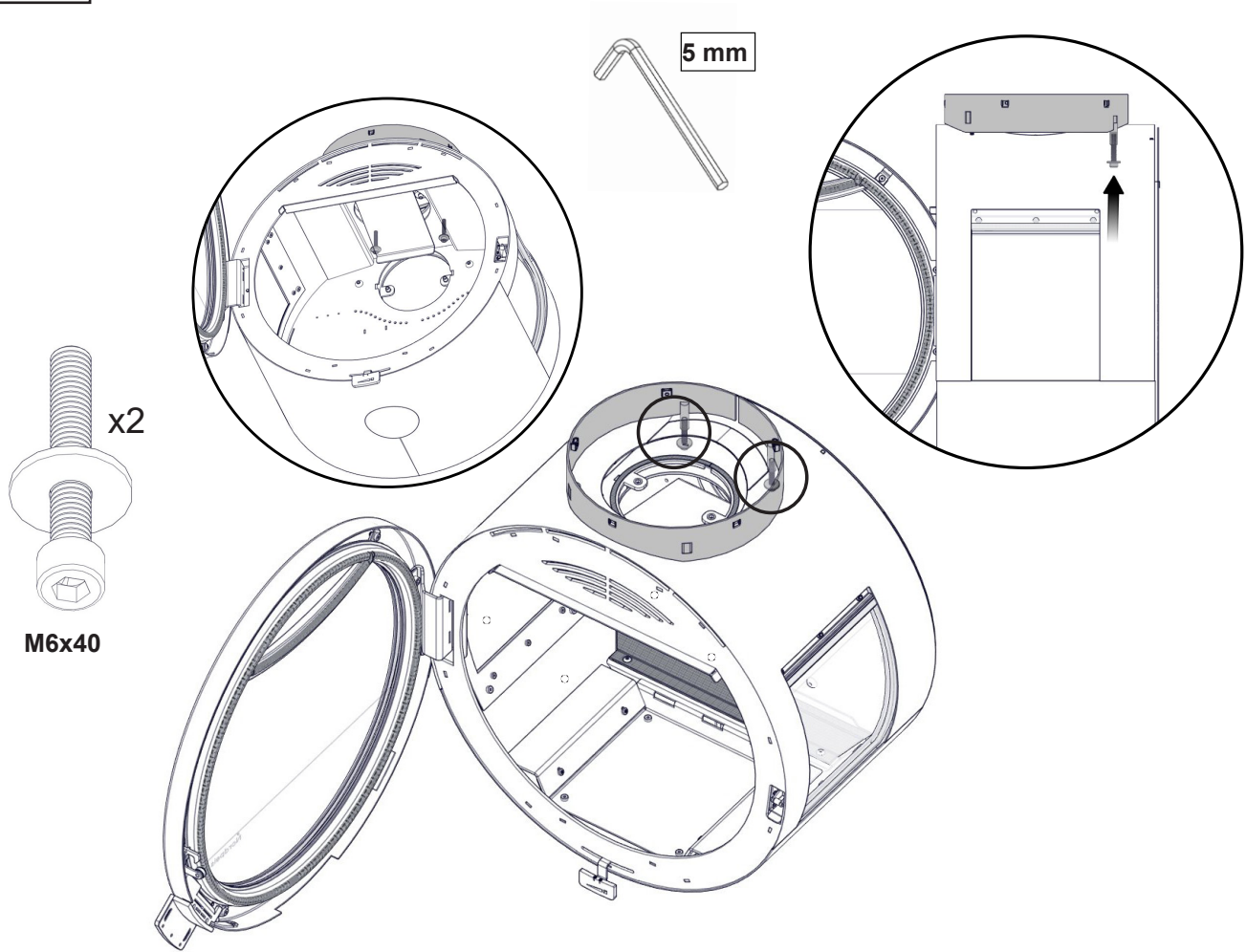
**GB** Insert the 6 x 40 threaded bars through the front holes of the outer stove body.

**FIG 12**



**GB** Place the support collar as shown.

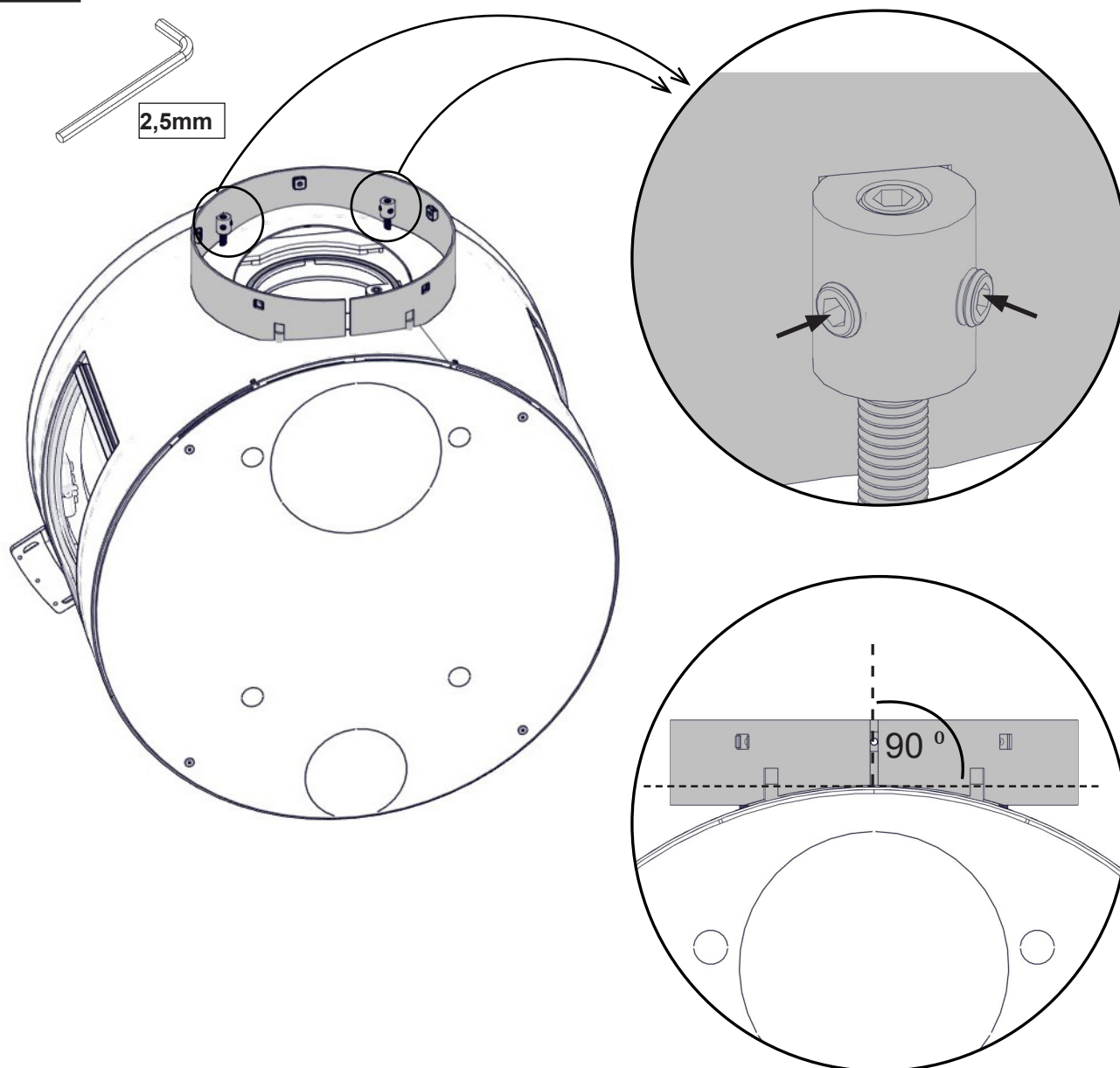
**FIG 13**



**GB** Fasten the two rear holes of the support collar to the stove through the rear holes with the two supplied 6 x 40mm bolts from inside the stove.

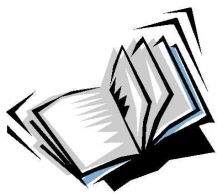
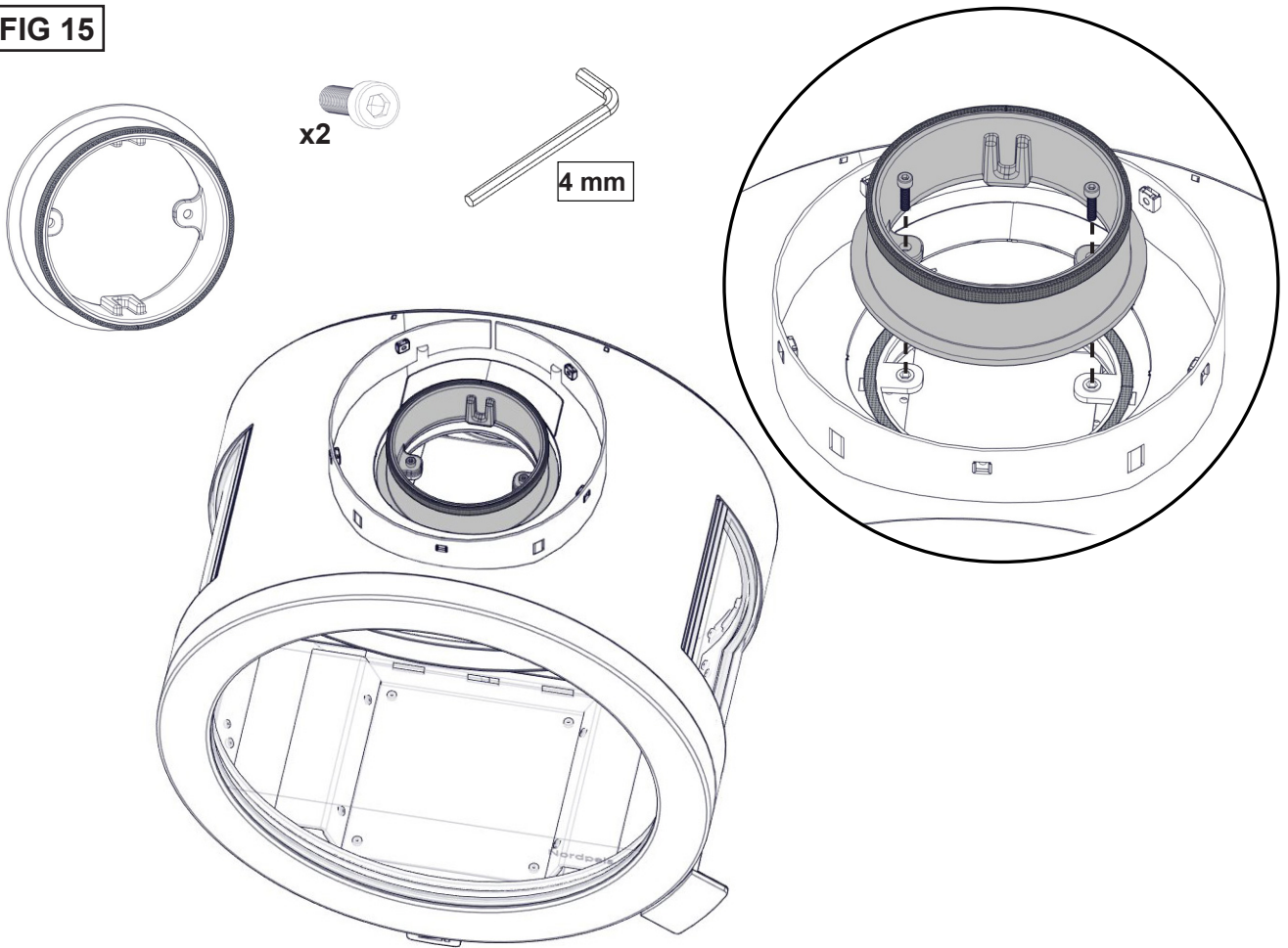


**FIG 14**



**GB** Fix the two threaded bars in front with the four pointed set screws with a force of 4-5 Nm.

**FIG 15**



**Manual for DV Kit**



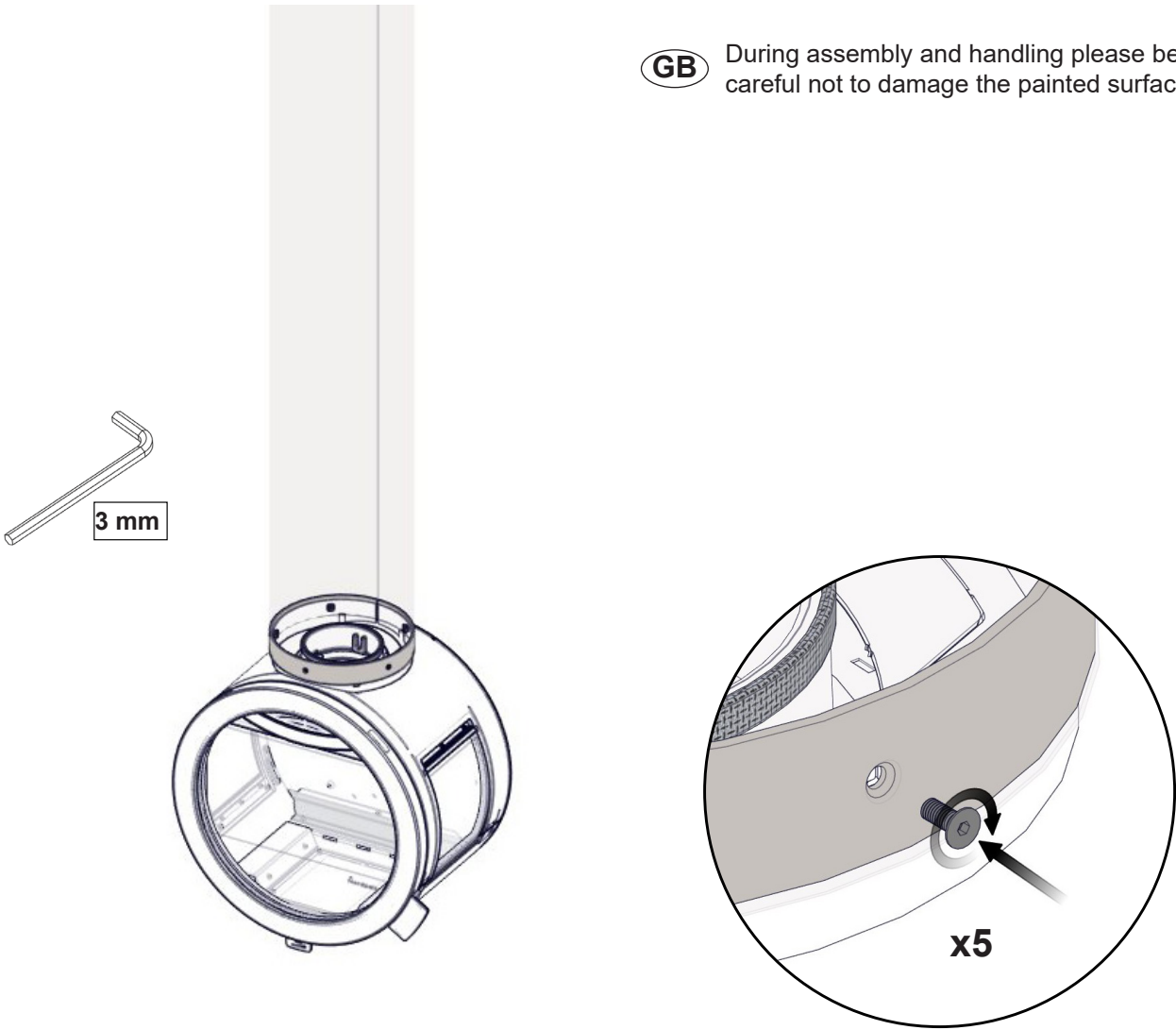
**See separate instruction**

**FIG 16**

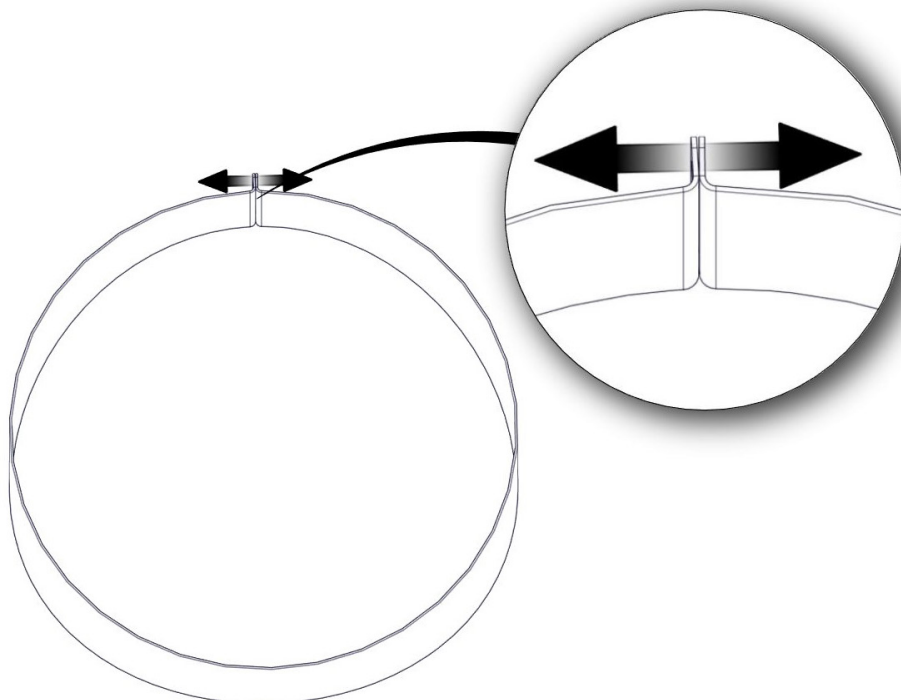


**FIG 16a**

**GB** During assembly and handling please be careful not to damage the painted surfaces.

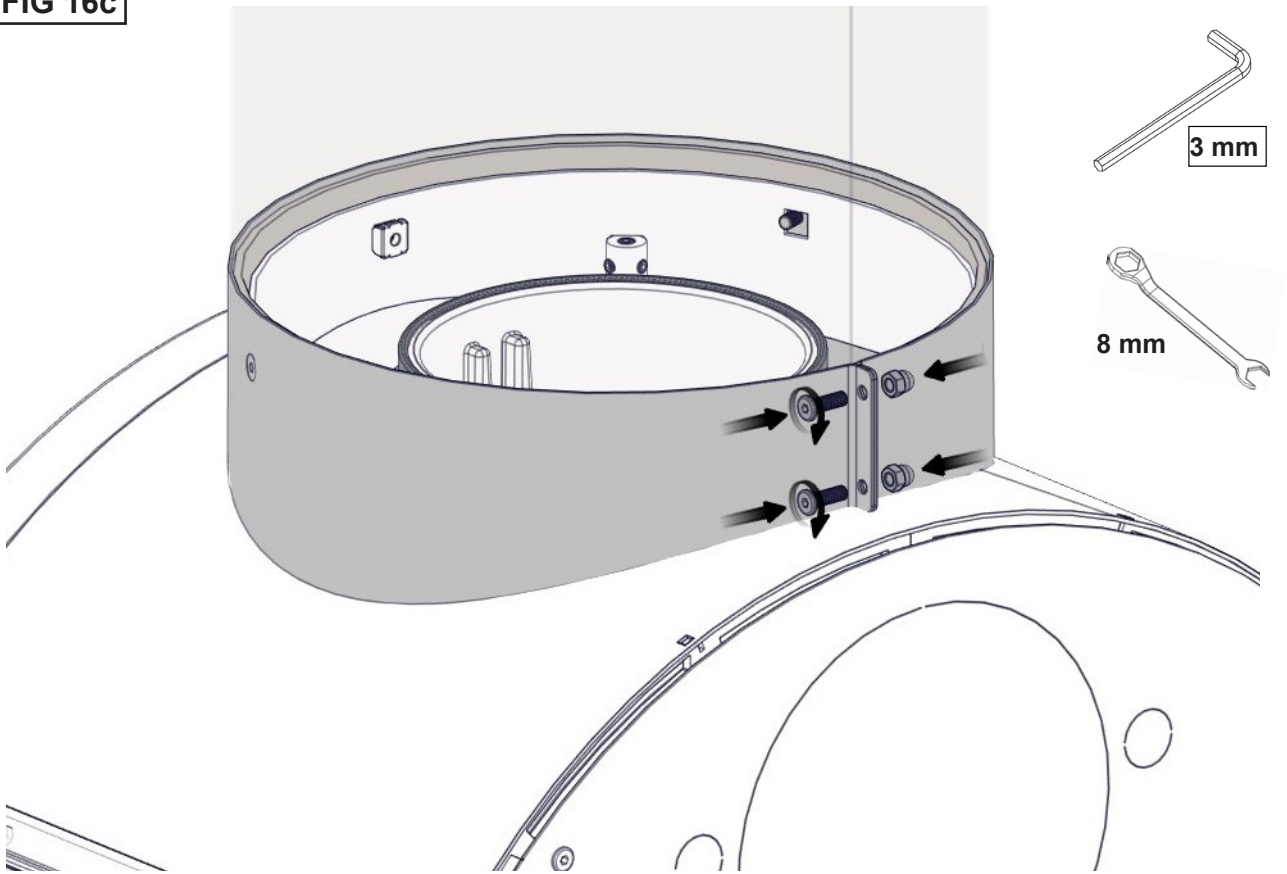


**FIG 16b**

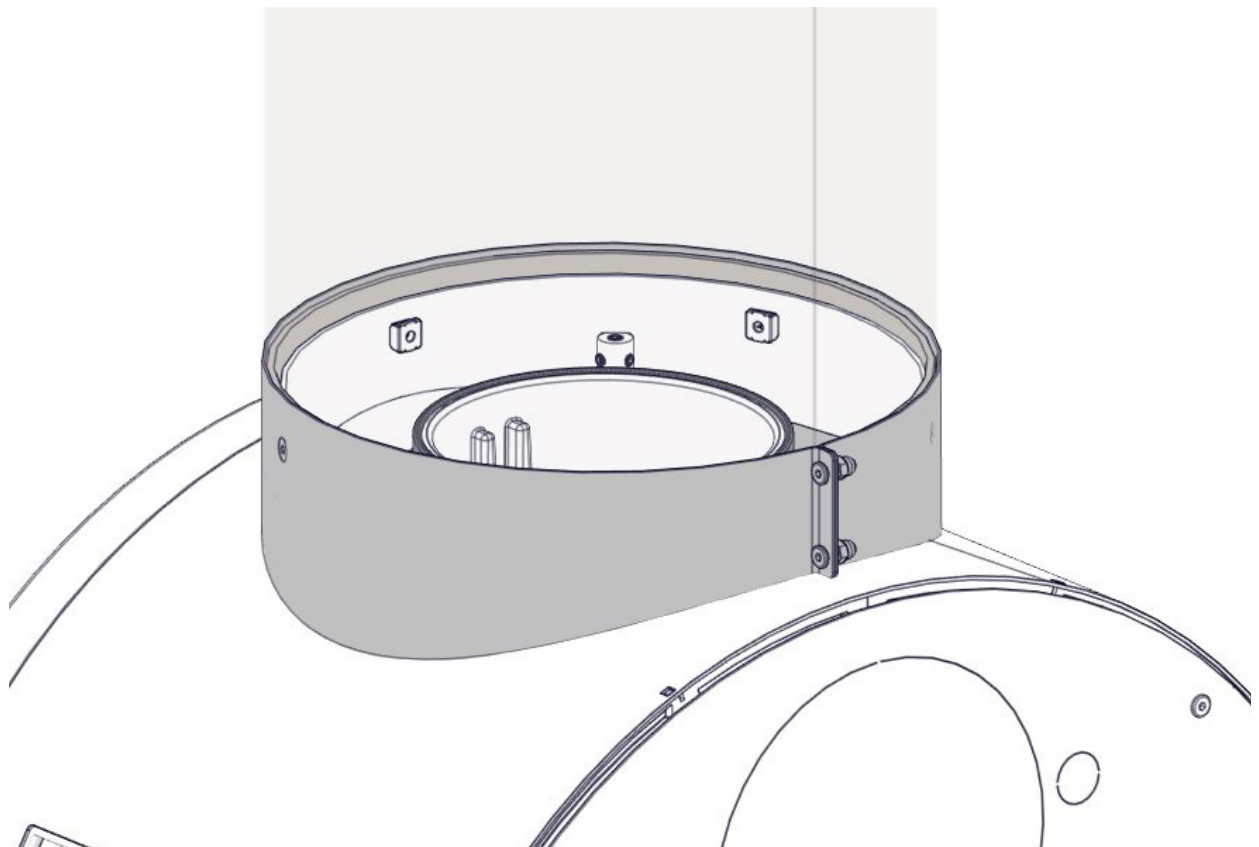




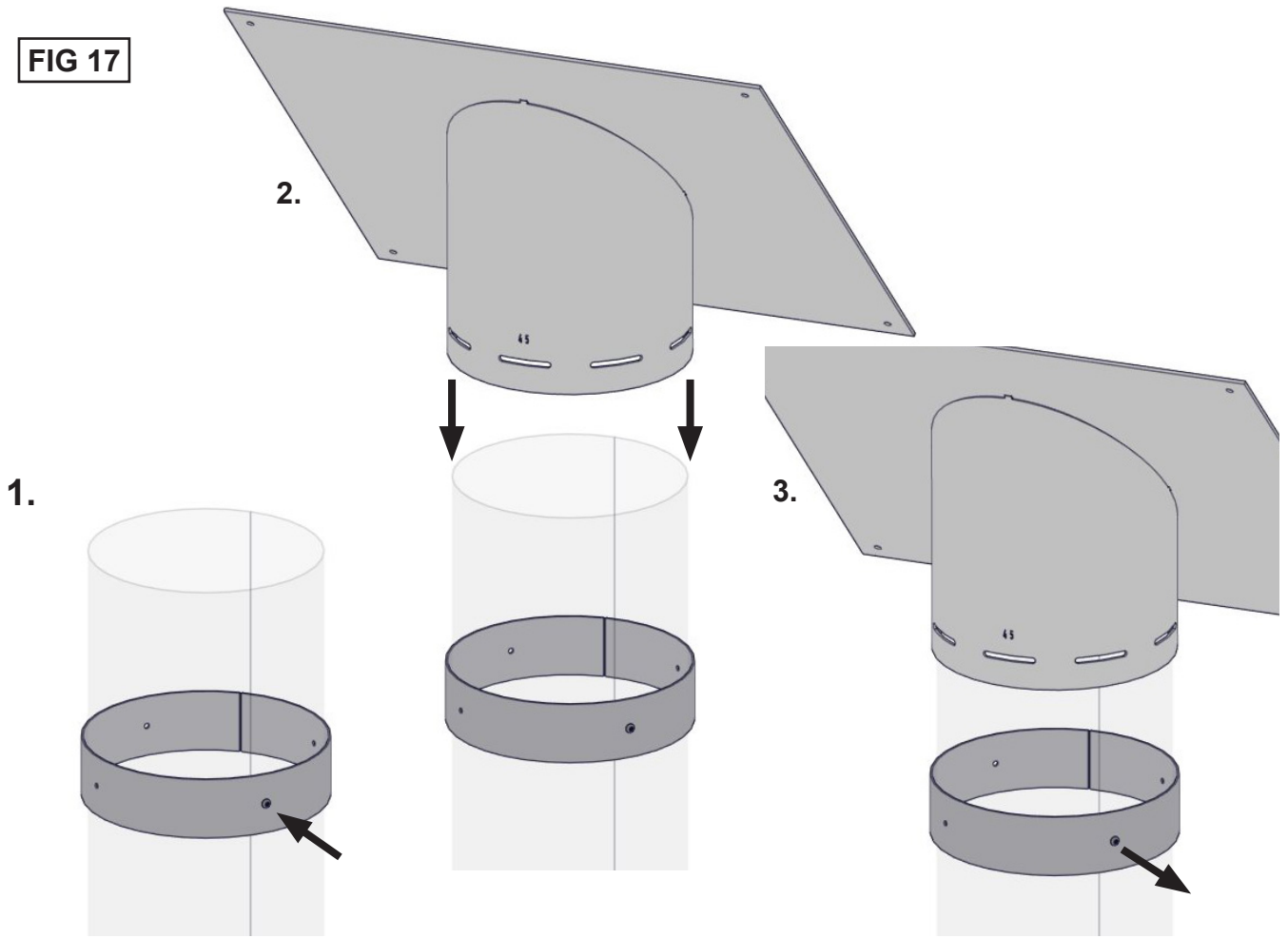
**FIG 16c**



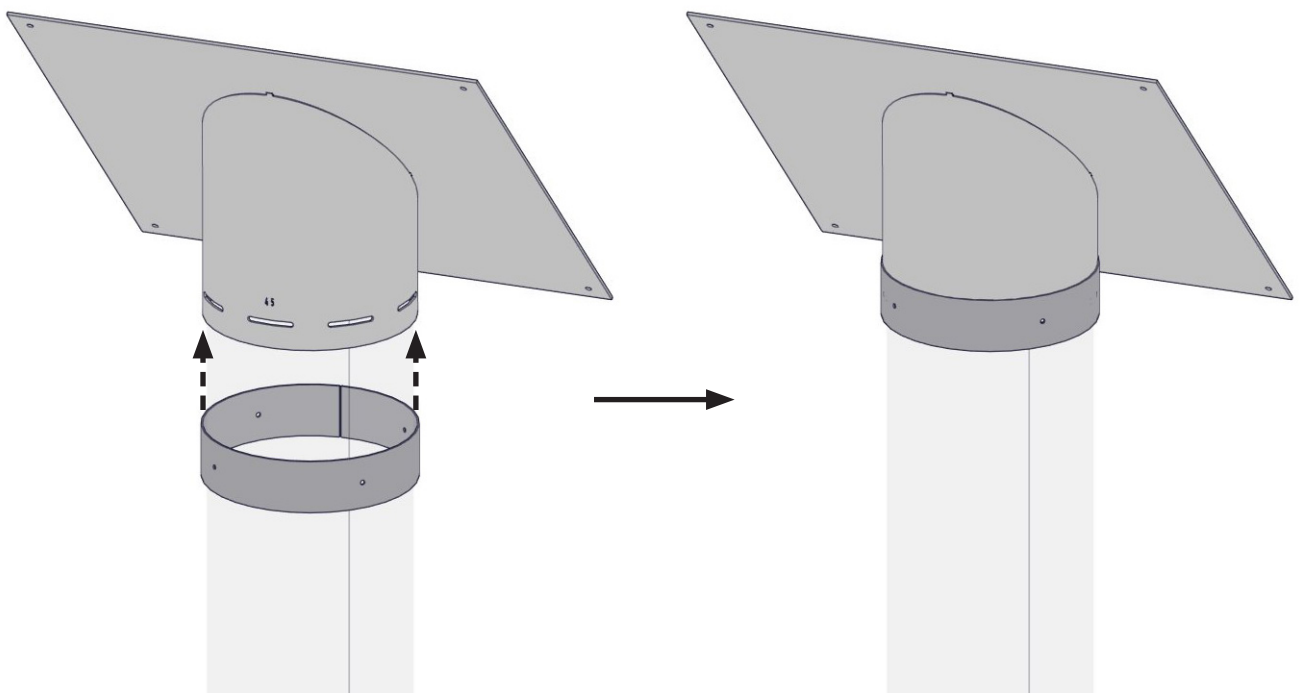
**FIG 16d**



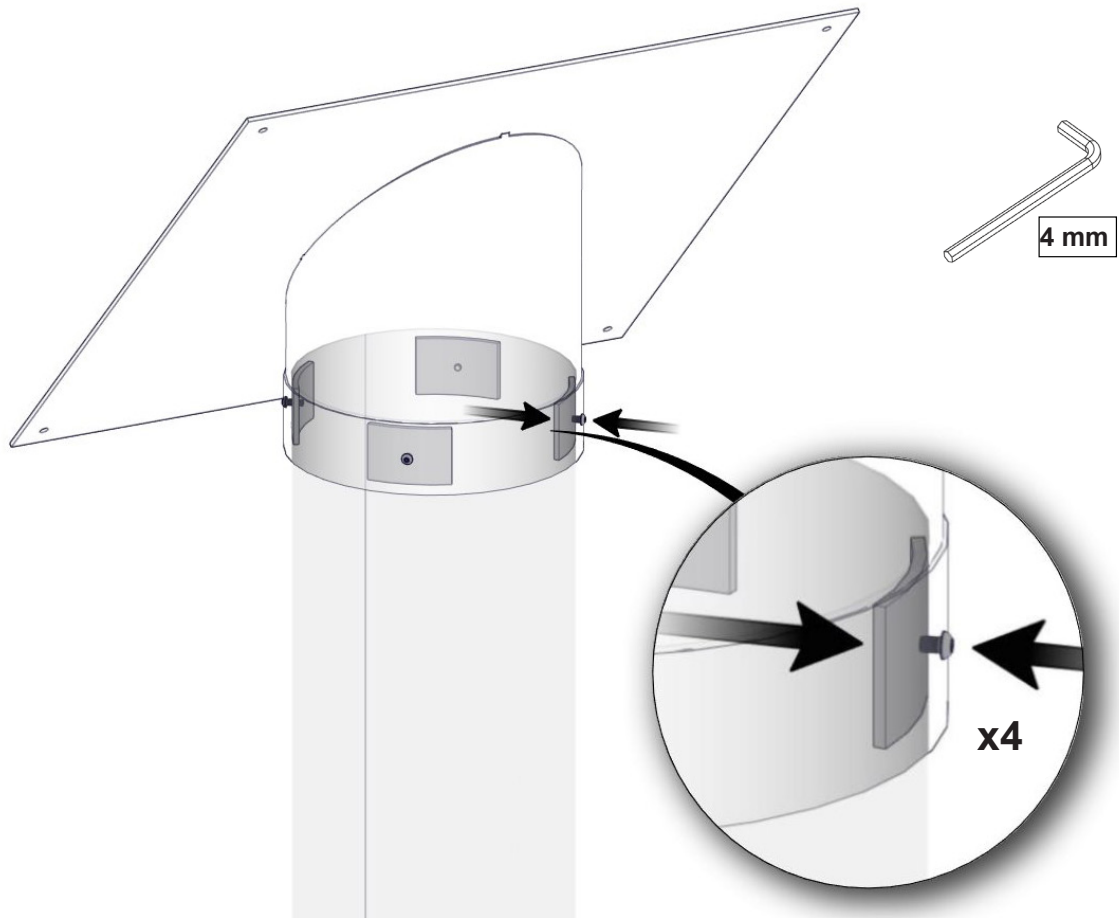
**FIG 17**



**FIG 17a**



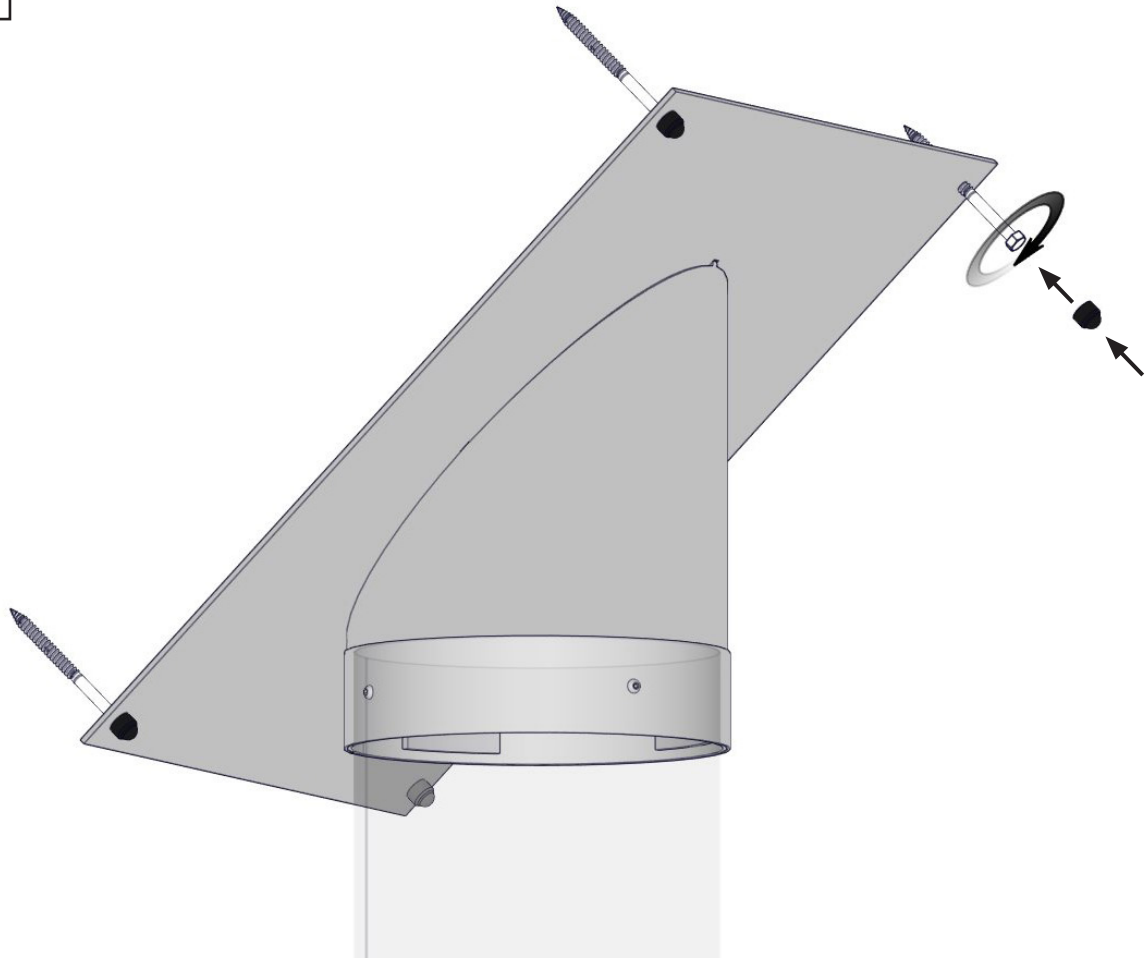
**FIG 18**



**GB**

Make sure the bolts are placed in the middle of the prolonged bean-shaped holes in the ceiling collar. This will allow you to adjust the angle of the stove with 12 degrees in each direction after the ceiling collar has been fastened to the ceiling.

**FIG 19**



**GB**

The supplied bolts are only intended for solid wooden beams measuring at least 150mm in height and 50mm in width. Pre-drill  $\text{\O}6\text{mm}$  holes before applying the supplied bolts and capping them at the end with the supplied plastic caps.

**FIG 20**



---

**GB** Re-install the thermotte plates in the reverse order as they were disassembled.





 Nordpeis

Nordpeis AS, Gjellebekkstubben 11, N-3420 LIERSKOGEN, Norway  
[www.nordpeis.no](http://www.nordpeis.no)