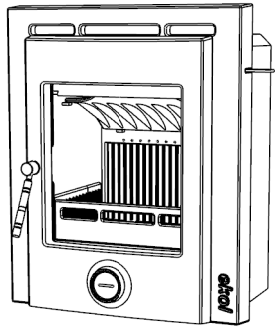
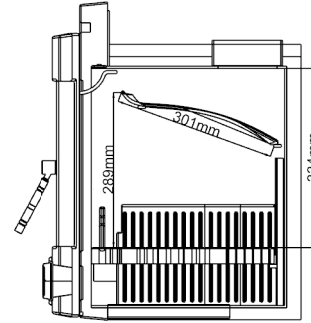


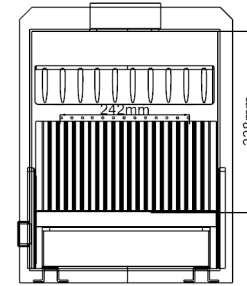
TOP



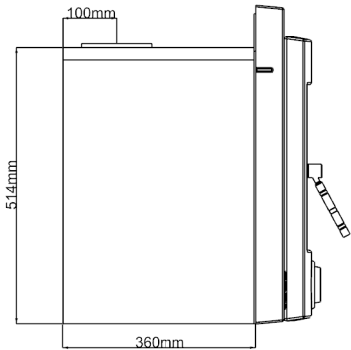
CROSS SECTION
SIDE ELEVATION



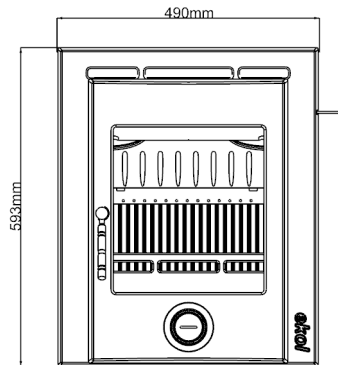
FRONTAL CROSS SECTION
TAKEN THROUGH MIDPOINT OF STOVE BODY



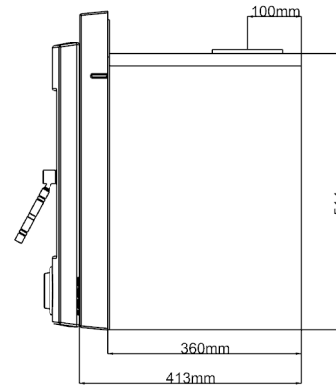
SIDE



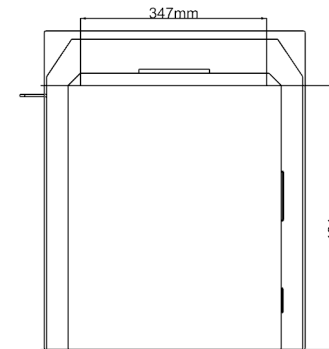
FRONT



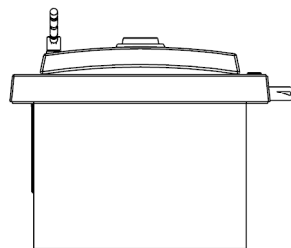
SIDE



REAR



BOTTOM



12.03.2021
Ekol Inset Plus
Dimensions in mm