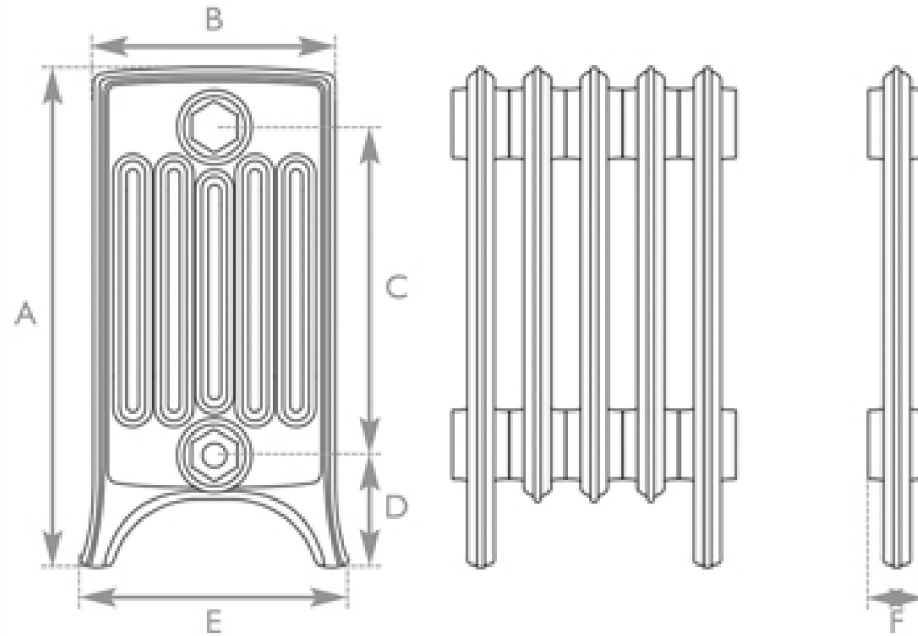


Code	Column Qty	A (mm)	B (mm)	C (mm)	D (mm)	E (mm)	F (mm)	$\Delta T$ 30°*		$\Delta T$ 50°*		$\Delta T$ 60°*		Weight (kg)*	
								BTUs	Watts	BTUs	Watts	BTUs	Watts	Empty	Filled
TBK076/077	6	460	220	300	105	240	63	147	43	280	82	351	103	5.8	6.7
TBK078/079	6	810	230	640	120	280	63	258	76	509	149	650	190	10.93	12.42



Code	Compatible Wall Stays																
	HANI03	HANI20	HANI21	HANI22	HANI23	HANI24	HANI25	HANI26	HANI27	HANI28	HANI29	HANI30	HANI31	HAN205	LD055	LD056	RTO035
TBK076/077	Yes	Yes	Yes	Yes	Yes	Yes	Yes	Yes	Yes	Yes	Yes	Yes	Yes	Yes	Yes	Yes	No
TBK078/079	Yes	Yes	Yes	Yes	Yes	Yes	Yes	Yes	Yes	Yes	Yes	Yes	Yes	Yes	Yes	Yes	Yes

Code	Heat Output	1200 Watts	1500 Watts	2000 Watts
		Minimum no. of sections	Minimum no. of sections	Minimum no. of sections
TBK076/077		9 (15')	10 (18')	11 (24')
TBK078/079		9 (8')	10 (10')	11 (13')