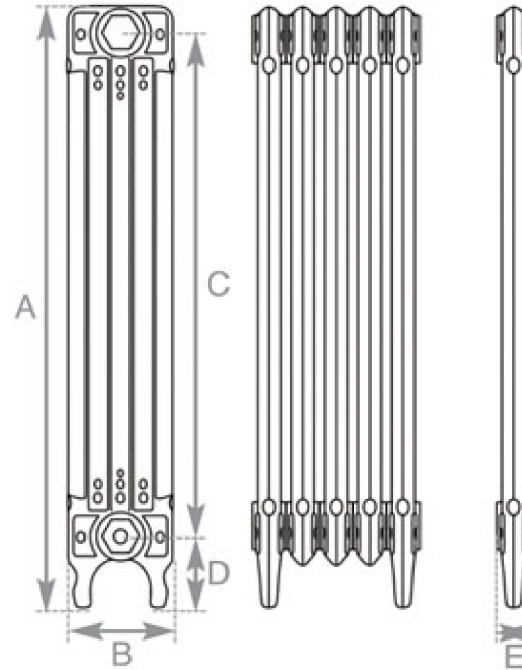


Code	Column Qty	A (mm)	B (mm)	C (mm)	D (mm)	E (mm)	ΔT 30**		ΔT 50**		ΔT 60**		Weight (kg)*	
							BTUs	Watts	BTUs	Watts	BTUs	Watts	Empty	Filled
TBK050/051	1	585	140	450	100	52	107	31	202	59	253	74	5.2	6.3
TBK048/049	1	795	140	660	100	52	139	41	267	78	337	99	7.1	8.4



Compatible Wall Stays

Code	HANI03	HANI20	HANI21	HANI22	HANI23	HANI24	HANI25	HANI26	HANI27	HANI28	HANI29	HANI30	HANI31	HAN205	LD055	LD056	RTO035
TBK050/051	Yes	Yes	Yes	Yes	Yes	Yes	Yes	Yes	Yes	Yes	Yes	Yes	Yes	Yes	No	No	Yes
TBK048/049	Yes	Yes	Yes	Yes	Yes	Yes	Yes	Yes	Yes	Yes	Yes	Yes	Yes	Yes	No	No	Yes

Code	Heat Output	1200 Watts	1500 Watts	2000 Watts
		Minimum no. of sections	Minimum no. of sections	Minimum no. of sections
TBK050/051		11 (20')	11 (25')	12 (34')
TBK048/049		11 (15')	11 (19')	12 (26')