

# hergom

## E-20 SE



**INSTRUCTIONS FOR INSTALLATION, USE AND MAINTENANCE**  
**INSTRUCTIONS FOR INSTALLATION, USE AND MAINTENANCE**  
**INSTALLATION, USE AND MAINTENANCE INSTRUCTIONS**  
**INSTALLATION, SERVICE AND MAINTENANCE INSTRUCTIONS**  
**INSTRUCTIONS FOR INSTALLATION, USE AND MAINTENANCE**



**WELCOME to the HERGOM family.**

*We appreciate the distinction you have given us with the choice of our Hergom Stove, which represents an important advance in technique and style over classic wood-burning stoves.*

*Your new Hergom stove mod. E-20 SE is perhaps the most advanced solid fuel heating system known today. Owning a HERGOM Stove is the manifestation of a sense of exceptional quality.*

*Please read this manual in its entirety. Its purpose is to familiarize you with the device, indicating rules for its installation, operation and maintenance, which will be very useful. Keep it and go to it when you need it.*

*If after reading this manual you need any additional clarification, do not hesitate to contact your usual supplier.*

INDUSTRIASHERGÓM, SL, is not responsible for the damage caused, originated by alterations in its products that have not been authorized in writing, or by defective installations.

**Likewise, it reserves the right to modify its products without prior notice.**

Industrias Hergóm , SL, domiciled in Soto de la Marina - Cantabria - Spain, offers a **THREE YEAR** guarantee for its devices. Industrias Hergom, SL guarantees the existence of repair parts and adequate technical service for 10 years from the date on which this product ceases to be manufactured.

The geographical coverage of this guarantee includes only the countries in which Industrias Hergóm, SL, a subsidiary company or an official importer distribute their products and in which Community Directive 2019/771/UE is mandatory.

The guarantee will count from the date of purchase of the device indicated in the guarantee receipt and only covers damage or breakage due to defects or manufacturing defects.

The guarantee must be accompanied by the purchase invoice.

---

**IMPORTANT ANNOUNCEMENT**

If the appliance is not installed properly, it will not give you the excellent service for which it was designed. Read these instructions completely and entrust the work to a specialist.

**Your appliance is protected on the surface with an anti-heat paint, especially for high temperatures. In the first few lights, it is normal for a slight smoke to be produced, when one of its components evaporates, which allows the paint to take shape. For this reason, we recommend ventilating the room until this phenomenon disappears.**

## 1. INTRODUCTION

**IMPORTANT! All local regulations, including those referring to national or European standards, must be complied with when installing the appliance.**

The way to install the Stove E-20 SE will influence decisively on safety and proper functioning of the same.

It is very important to perform a good installation.

In order for the E-20 SE Stove and chimney to be installed correctly, it is advisable that it be carried out by a professional.

The E-20 SE Stove gives up its heat by radiation, directly heating walls, ceilings, etc.

## 2 – PRESENTATION

The E-20 SE wood stoves have the following main characteristics:

- Constructed of cast iron, with parts assembled, sealed and bolted together.
- They are designed to be used only with firewood.
- Hearth that allows burning logs of firewood up to 45 cm. of length.
- Self cleaning glass.
- Hinged front door with glass.
- Watertight ashtray door.
- Vertical smoke outlet Ø 150 mm.

It gives up its heat by radiation, heating directly walls, ceilings, etc.

- Supplied fully assembled from the factory, ready to connect to the chimney.

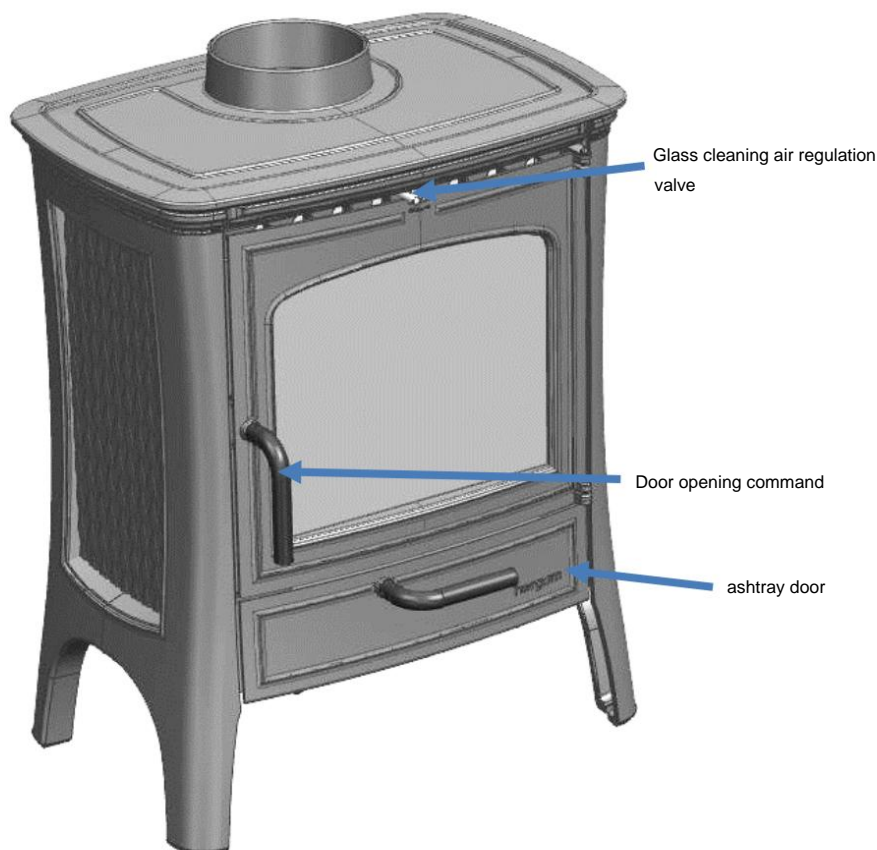


Fig. 1

### 3 - OPERATION OF THE STOVE

Once your stove has been installed, and connected to the chimney, you are ready to start the fire.

Although the operation of your stove is easy, the process of burning solid fuels is complex, since several factors intervene and it takes time and experience to understand how it is done.

Before lighting your stove for the first time, it is necessary to familiarize yourself with the different heating systems, control and physiognomy of your stove, how to choose the firewood, how to light it and use it daily

ALWAYS KEEP IN MIND that the stove produces heat and therefore children, clothing, furniture must be kept away from it, since contact with it can cause burns.

Here are some tips with which to know your stove properly and how it works, which we ask you to read carefully:

#### CONTROLS

To open the fireplace door, turn the handle clockwise 90° to the open position and gently pull it out.

To close, keep the handle in the open position, bring the door against the range, pressing lightly, and turn the handle gently counterclockwise to the closed position.

To open the ashtray door, turn the handle counterclockwise, from the horizontal closed position to the vertical open position, and gently lower the door.

To close it, proceed in reverse. Keep the knob in a vertical position, bring the door against the stove, pressing lightly, and turn the knob gently clockwise to the horizontal closed position.

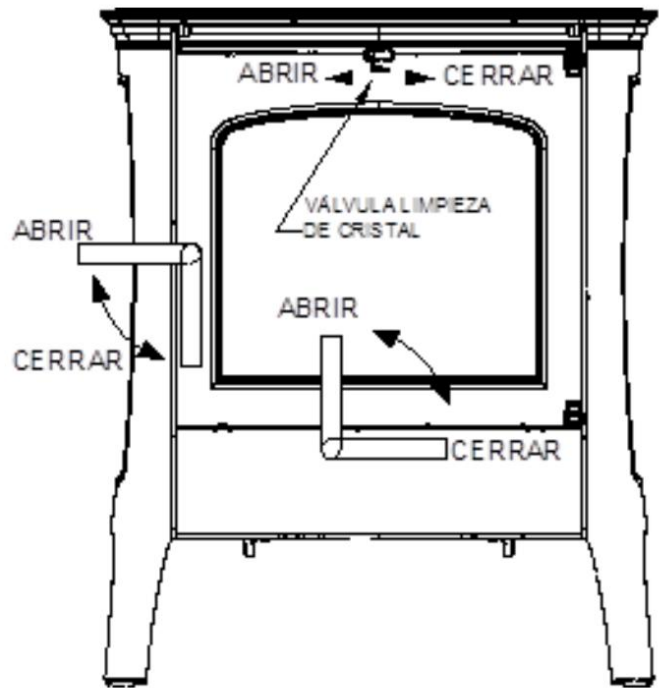


Fig. 2

#### FIRST IGNITION

**Important when lighting it for the first time:** a few drops of water may be released from your stove due to condensation, produced by the humidity of the environment where your stove has been stored.

It is very important that the first ignition of the stove is carried out very slowly.

The reasons are as follows:

- Stabilize cast iron parts.
- Carry out the curing of the joint sealing cement.

Tips:

- We recommend that the first loads be small.
- For the draft to start working, heat the chimney by inserting a lit piece of paper through the gap between the front and the deflector, directing it towards the chimney. While lighting the fireplace for the first time, keep the room where the stove is located ventilated, as they can appear paint fumes.
- Keep the stove on for a few hours at this operating regime.

- **IMPORTANT! The total height of the load must not exceed 50% of the height of the combustion chamber.**
- **The stove must remain closed at all times during combustion to prevent the escape of smoke. Opening it only during the refills.**

#### **DAILY USE**

Your stove is ready for daily use, after the first ignition.

The heat needs of your home will determine the frequency with which you will have to carry firewood.

Whenever your stove is cold it is recommended to turn it on slowly.

#### **Caution in heating too much.**

Overheating means that you have operated your stove at too high a temperature for a long period of time. This can damage your stove and therefore you should

avoid it.

An overheating is the result of a shot excessive, due to any of these reasons:

- Chimney too big.
- Improper maintenance of the stove, which can cause air infiltrations.
- Inadequate fuel that produces high temperatures.
- Door not closed properly.

#### **ATTENTION!**

**During stove operation, the ashtray door must remain closed.**

## **4 – CLEANING AND MAINTENANCE**

Your stove is an appliance that is subjected to extreme temperatures and the corrosive effect of combustion residues. Your maintenance newspaper is essential to achieve a longer duration and better use of it. To do this, we recommend frequently carrying out the

following controls:

#### **DURING THE SEASON OF USE**

- Visually inspect the chimney. Clean soot and tar if they have started to accumulate on the interior walls of the stove.
- Check if the doors close hermetically; adjust them if necessary.

#### **WHEN THE SEASON ENDS**

- Inspect and clean chimney.
- Vacuum the inside of your stove and inspect it.
- The soot and tars (creosote) that accumulate on the walls of your stove reduce performance.
- Inspect door gaskets. These must be replaced when they do not perform a perfect closure.
- On painted stoves, repaint the parts cast iron if necessary. For this use anticaloric paint.

#### **CLEANING**

Cleaning should always be done with the stove cold.

#### **Ash cleaning.**

These stoves are provided with an ashtray located under the bottom of the hearth. To access it, open the ashtray door.

Take out the ashtray that is inside and clean it of ashes.

The ashes should be emptied into a metal container and immediately removed from the house.

If necessary, clean the ashtray housing.

### **painted parts**

The cleaning of these must be done with a completely dry cloth, to avoid oxidation of the same.

### **connector and chimney**

Read the chapter corresponding to this topic in the Installer's Manual.

### **DOOR GLASS**

#### **Cleaning**

Stove glass cleaners are quite effective products.

Never try to clean the glass while the stove is in operation.

If the glass of your stove door is constantly clouded with soot, it means that your fire is "poor" and that, consequently, the connector and chimney are clogging with soot and

creosote.

#### **Substitution**

The panes of your stove are made especially for wood stoves.

In case of breakage, it must be replaced by another one with the same characteristics. Contact our dealer to supply you with the appropriate glass, accompanied by assembly instructions and gaskets.

### **PRODUCTS FOR CONSERVATION**

Industrias HERGÓM SL puts at your disposal a series of products for the conservation of your Stove and chimney:

Anti-caloric paint, refractory paste, window cleaner.

## **5 - PRODUCT RECYCLING**

Your device is delivered packed with plastic and a cardboard box on a wooden pallet. You can use the cardboard and wood as fuel for the first time you start the appliance, or take it to a local recycling point. The plastic that protects the appliance must be taken to a specific local recycling point or center, it must not be disposed of in conventional waste containers.

All local regulations, including those referring to national or European standards, must be complied with when recycling the product at the end of its useful life. The product should never be disposed of in conventional waste containers. Your appliance is made up of components made of cast iron, steel, glass, insulating materials and electrical material, which are assembled using screws and rivets. You can disassemble it and take it to a specific local recycling point or center. The glass should not be deposited in conventional waste containers.

## 6 - SAFETY

### WARNING

**Gas/wood/pellet appliances get hot during operation.**

**Consequently, you must act with caution and stay away, especially avoid the proximity of children, the elderly or other people who require special attention, as well as pets while the appliance is on.**

**Make sure that children or other people unfamiliar with the operation of the appliance are supervised by responsible persons when they approach it.**

**To protect against burns and to protect the approach of children or people who should not come into contact with the appliance, place a firewall or separator.**

There are potential hazards to be aware of when operating your fuel-burning stove.

solid, whatever the brand. These risks can be minimized if the instructions and recommendations given in this manual are followed.

- When placing the stove, take into account the necessary safety distances, both from the appliance and from the chimney, from combustible surfaces (wooden or papered walls, wooden floors, etc.). These same distances must be respected when the covering of the walls or nearby areas is susceptible to deterioration or deformation due to the effect of temperature (varnishes, paints, PVC, etc.).

**Fig.**

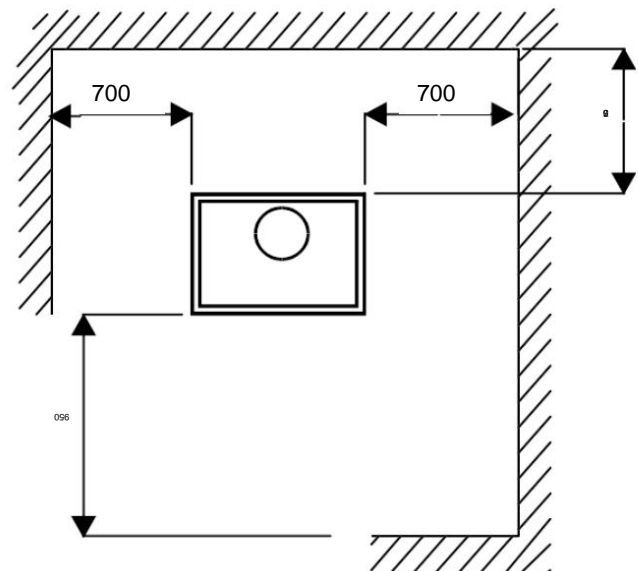
3

- The base where your stove is going to be placed must have a flat surface without unevenness that prevents its perfect settlement. This base, in turn, must be able to support the weight of the stove.

The support base must be constructed of heat resistant materials.

**THIS STOVE SHOULD NEVER BE INSTALLED OVER A FLOOR DETERIORABLE BY HEAT (NOT FLAMMABLE)**

- All areas surrounding the stove must be resistant to temperature, if this is not the case, it must be planned to be able to protect with fireproof material.
- The ashes should be emptied into a metal container and immediately removed from the house.
- Never use liquid fuels to light your stove. Keep away any type of flammable liquid (gasoline, petroleum, alcohol, etc.).
- Never use coal or fuels that are not recommended for the operation of this product.
- Make regular inspections of the chimney and clean it whenever necessary. Also inspect the state of gaskets, glass, screws, etc.
- **Protect your hand with a glove or other insulating material, as the opening and closing control becomes hot during operation.**



**Fig. 3**



## 7 - SHOOTING PROBLEMS.

What follows is a list of problems that are common to any type of stove. All of these problems are correctable and sometimes only require a minor readjustment to get the range back to life.  
function normally.

Remember that the weather affects the operation of your stove.

If your stove is leaking into the house, the following is most likely happening to you:

If it is a newly built chimney:

- a) That the shot is insufficient.
- b) That the section or height is not adequate.
- c) That it has some kind of strangulation in the assembly.

If it is an existing chimney:

- a) The chimney is partially blocked for soot.
- b) That there has been an internal or external break where it takes in air.
- c) That it has a smaller section or height than that requires the new device.

We recommend that you go back to the INSTALLER MANUAL chapter and carefully read everything related to Fireplaces.

### ***WELCOME to the HERGÓM family.***

*We would like to thank you for choosing our E-20 SE Stove, which represents, in technique and style, a significant improvement on typical wood stoves.*

*Your new Stove is, perhaps, the most advanced solid fuel heating system known today. Owning a HERGOM Stove displays an exceptional sense of quality.*

*Please read this manual in full. Its purpose is to familiarise users with the device by explaining extremely useful installation, operational and maintenance instructions. Keep this manual at hand for future reference whenever necessary.*

*If, after reading this manual, you should require any further clarification, please consult your regular dealer.*

INDUSTRIAS HERGÓM, S.L., may not be held liable for any damages caused by alterations in its products that have not been authorised in writing, or for defective installation work.

**Furthermore, it reserves the right to change its products without prior warning.**

Industrias Hergóm, S.L. domiciled in Soto de la Marina (Cantabria) - Spain, offers a **THREE YEARS** warranty on its products. Industrias Hergom, S.L. guarantees the existence of repair parts and adequate technical service for 10 years from the date on which this product ceases to be manufactured.

The geographical coverage of the said warranty only includes the countries in which Industrias Hergom, S.L., a subsidiary company or an official importer distribute its products and where Community Directive 2019/771/UE is in force.

The warranty comes into force on the purchase date of the product as indicated on the warranty document and only covers damage or breakages due to manufacturing defects.

---

### **IMPORTANT NOTE**

If the device is not installed correctly, it will not provide the excellent service for which it has been designed. Please, read these instructions in full and trust the work to a specialist.

**The surface of your device is protected by a coat of special anti-heat paint that resists high temperatures. When lighting the fireplace for the first few times, the said paint may emit some fumes. This is normal and is due to the evaporation of certain components of the paint while it adapts to the heat. We, therefore, recommend ventilating the room until this phenomenon ceases to appear.**

## 1- INTRODUCTION

**IMPORTANT! All local regulations, including those that refer to national or European regulations, must be applied when installing this device.**

The way the E-20 SE Stove is installed will decisively affect safety issues and its correct operation.

It is important to install the fireplace correctly. For the correct installation of the E-20 SE Stove and chimney, we recommend the installation be performed by a professional.

The E-20 SE Stove provides heat by radiation; directly heating walls, ceilings...

## 2- PRESENTATION

E-20 SE wood stove have the following main features:

- Made of cast iron, with parts that are assembled, sealed and screwed together.
- They are designed for use with firewood only.
- They can burn pieces of wood up to 45cm. in length.
- Self-cleaning glass.
- Hinged front door with ceramic glass pane.
- Ash pan door sealed.
- Vertical top smoke flue of 150 mm of diameter.
- It gives up its heat by radiation, directly heating walls, ceilings, etc.
- Fully factory assembled, ready for connection to the chimney.

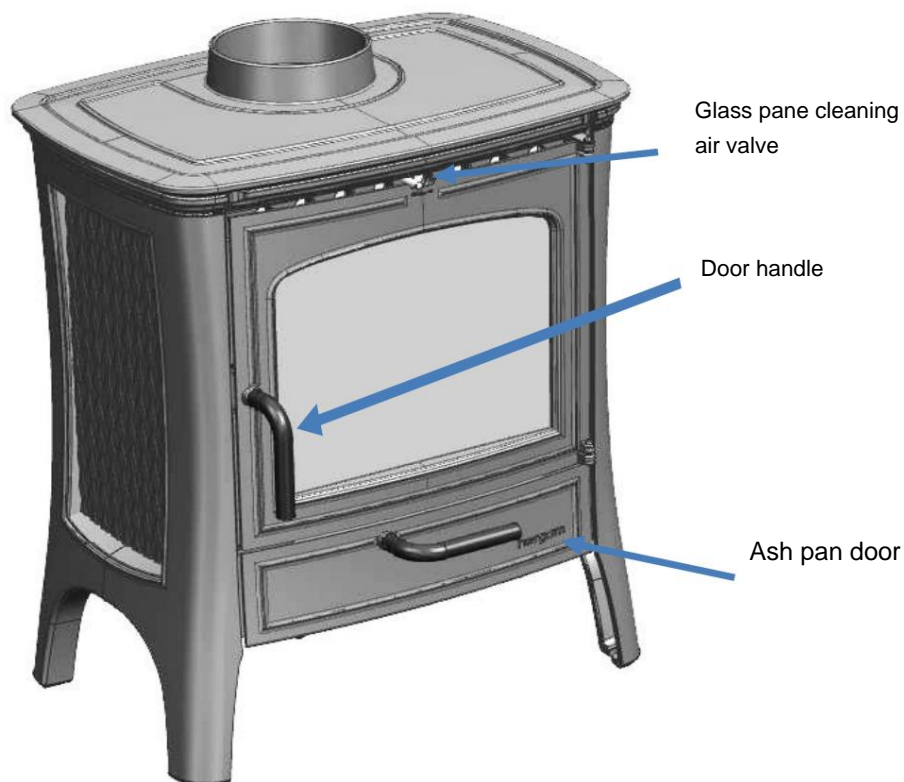


Fig. 1

### 3- USING THE STOVE

Once your stove has been installed and connected to the chimney, you are ready to light the fire.

Although your stove is easy to use, the combustion process of solid fuels is complicated, as it involves several factors and it takes time and experience to understand the process.

Before lighting your stove for the first time, please take time to become familiar with the different control systems and parts of the unit, how to choose the wood, how to light it and use it on a daily basis.

ALWAYS KEEP IN MIND that the stove generates heat and, therefore, keep children, clothing, furniture... at a distance to prevent burns from direct contact with the appliance.

Below, we have included some advice on your stove and on its use. Please read with care.

#### HANDLES

To open the hearth door, turn the lever in a clockwise direction until the open position ("Ten To" position on the clock) and gently pull outwards.

To close it, keep the lever in the open position ("Ten To" position on the clock) close the door, by exerting a slight pressure and turn the lever gently in an anti-clockwise direction until the closed position ("Twenty To" position on the clock).

To open the ash pan door, turn the lever in an anti-clockwise direction, from the horizontal closed position to the vertical open position, and gently lower the door.

To close it, reverse the operation. Keep the lever in the vertical position, close the door, by exerting a slight pressure and turn the lever gently in a clockwise direction until the horizontal closed position.

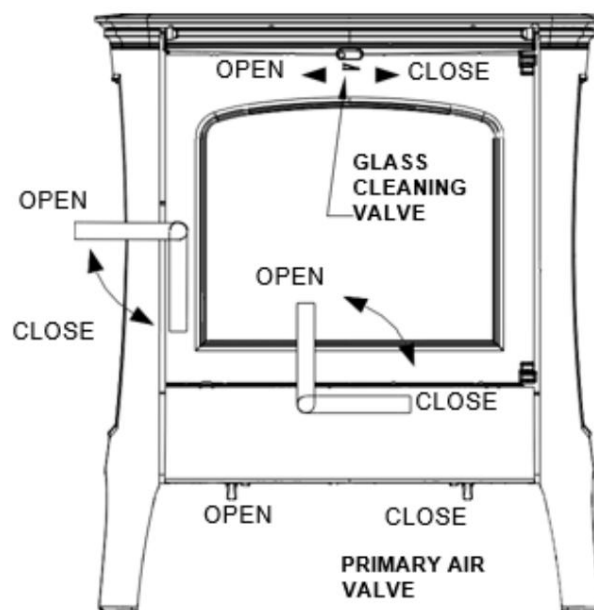


Fig. 2

#### FIRST LIGHTING UP

**Important at first start:** may come off a few drops of condensed water from the stove, produced by the humidity of the environment where the stove was stored.

It is very important that the first time the heater is lit, it is done so slowly.

This is for the following reasons:

- Stabilise cast iron parts.
- Harden the joint sealant putty.

Advise:

- We recommend that the first loads of fuel be small.
- To generate draw, heat the chimney by introducing some burning paper in the gap between the front and the deflector, directing it toward the chimney.
- While lighting for the first time, ensure the room where the heater is located is well ventilated as the paint work may let off some fumes.
- Keep the stove on for a few hours at this intensity.

- **IMPORTANT! The total height of the fire load should not exceed 50% of the height of the combustion chamber.**
- **The heater must be closed at all times during combustion to prevent smoke from leaking out. Only open to add fuel.**

#### Daily use

After lighting up for the first time, your heater will be ready for daily use.

Your heat requirements will be obtained based on the frequency and the amount of firewood you load.

When your heater is cold, we recommend lighting it up slowly.

#### Overheating.

Overheating means that you have operated your heater at an excessively high temperatures for a long period of time. This can damage your appliance and, therefore, it is a situation that must be avoided.

Overheating is the result of excessive draw, due to any of the following reasons:

- The chimney is too big.
- Improper maintenance of the stove, which may result in air infiltration.
- Inappropriate fuel that produces high temperatures.
- Door not closed correctly.

#### ATTENTION!

**During the operation of the stove, the ash pan door must be perfectly closed.**

## 4- CLEANING & MAINTENANCE

Your heater is a device that is subjected to extreme temperatures and to the corrosive effects of Regular combustion residual materials.

Regular maintenance is essential for a longer life and improved user experience. We recommend performing the following inspections frequently.

#### DURING THE SEASON

- Perform a visual inspection of the chimney. Clean soot and tar if they have begun to accumulate on the inner walls of the heater.
- Check whether the doors close tightly; adjust if necessary.

#### AT THE END OF THE SEASON

- Inspect and clean the chimney.
- Use the vacuum cleaner to clean inside the heater and inspect it.
- Any soot and tar (creosote) that has accumulated on the walls of the heater will hinder performance.
- Inspect door seals. These should be replaced when they no longer seal the door perfectly.
- In the case of painted heaters, paint the cast iron parts again if necessary.

#### CLEANING

Cleaning should always be performed when the heater is cold.

#### Cleaning ash.

These heaters are equipped with an ash pan located at the bottom of the heater.

Remove the ash pan and remove the ash.

Ash should be emptied into a metal container and immediately removed from the house.

If necessary clean the ash pan housing.

### **Painted parts**

Clean with a dry cloth to avoid rust.

### **Chimney and connecting unit**

Read the chapter in the Manual for Installers that refers to this topic.

### **DOOR PANES**

#### **Cleaning**

Fireplace window cleaning liquids are quite effective products.

Never try to clean the glass while the fireplace is working.

If the glass pane on the fireplace door is constantly covered in soot, this means your fire is "poor" and that the connecting pipe and chimney are being blocked by soot and creosote.

#### **Replacing.**

The glass panes in your heater have been especially manufactured for log stoves.

If they should break, they must be replaced by another glass pane with the same technical specifications. Contact our Distributor to provide you with the appropriate glass pane, together with instructions to assemble and seal.

### **MAINTENANCE PRODUCTS**

Industrias HERGÓM, S.L. places a range of products for the preservation of your heater and chimney at your disposal: heat resistant paint, refractory putty, glass cleaning products.

## **5 – PRODUCT RECYCLING**

Your appliance is delivered packed in plastic and a cardboard box on a wooden pallet. You can use cardboard and wood as fuel for the first lightings of the appliance, or take it to a local recycling point.

The plastic that protects the device must be taken to a specific local recycling point or center, it must not be disposed of in conventional waste dumpster.

All local regulations, including those that refer to national or European regulations, must be applied when recycling this device at the end of its useful life. The product should never be disposed of in conventional waste dumpster. Its appliance is made up of components made of cast iron, steel, glass, insulating materials and electrical material, which are assembled using screws and rivets. You can disassemble it and take it to a specific local recycling point or center. Glass should not be disposed of in conventional waste dumpster.

## 6- SAFETY

### WARNING!

Gas/log/pellet units get hot when in use.

Consequently, owners must act with precaution and keep at a distance. Especially keep children, the elderly and other people who require special supervision, as well as pets, away from the fireplace when it is in use.

Make sure that children or other people who are not familiar with how the device works are supervised by responsible people when they are near the fireplace.

In order to prevent burns or children or other people from coming near the appliance, use a fire grille or screen.

A number of possible risks are present when operating your solid fuel oven with fuel of any brand. The said risks can be minimised if the instructions and recommendations included in this manual are followed.

- When installing the stove, observe the necessary safety distances for the oven and chimney from combustible surfaces (wooden or papered walls, wooden floors...). Safety distances must be respected when the lining on walls or nearby areas may be damaged or deformed by temperature (varnish, paint, PVC...). **Fig. 3.**

- The base where you are going to install your heater must be flat and provide a perfect seat. The said base must also be capable of supporting the weight of the heater. The base must be built using heat resistant materials.

**THIS STOVE MUST NEVER BE INSTALLED ON A FLOOR DETERIORABLE BY HEAT (NON FLAMMABLE)**

- All the area around the heater should be heat resistant. If not, they must be protected by fire-proof material.

- Ash should be emptied into a metal container and immediately removed from the house.
- Do not use flammable liquids to light the stove. Keep any type of flammable liquid (petrol, gasoline, alcohol,...) at a distance from the fireplace.
- Never use coal or fuels that are not recommended for the operation of this product.
- Periodically inspect the chimney and clean whenever necessary. Also inspect the state of joints, glass, screws...
- **Protect your hands with a glove or other insulating material because, during operation, the opening and closing handle will be hot.**

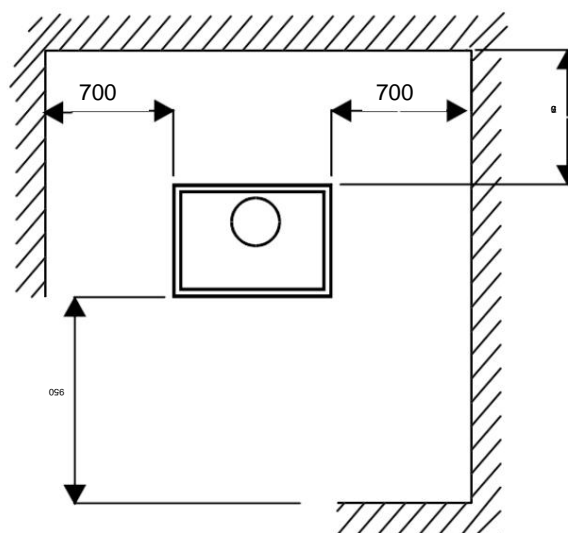


Fig. 3

## 7 - PROBLEMS WITH THE DRAW

Below is a list of the most common problems that affect any type of heater. All these problems can be corrected and, sometimes, only require slight adjustments to make the heater work correctly.

Remember that the weather affects the way your heater works.

If your heater release fumes inside the home, the following may be the cause:

If you have a newly built chimney:

- a) The draw may be poor.
- b) The diameter or height may not be correct.
- c) The system may be partially blocked.

In the case of a previous chimney:

- a) Soot may be obstructing the chimney partially.
- b) There may be an internal or external crack through which air may be entering.
- c) The diameter or height may be not be correct for the new device.

We recommend reading the chapter of the **MANUAL FOR PROFESSIONAL INSTALLERS** and revising all the information referring to Chimneys.



### **WELCOME to the HERGOM family.**

*Thank you for choosing our E-20 SE stove, which represents a significant advance in technique and style in the world of wood-burning stoves.*

*Your new stove is probably the most advanced solid fuel heating system known today. Owning a HERGOM Stove is the manifestation of an exceptional sense of quality.*

*Please read this entire manual. It will help you to get to know the device and will tell you about the standards for its installation, operation and maintenance, which will be very useful to you. Keep it for future consultation.*

*If after reading this manual you need further clarification, do not hesitate to contact your usual supplier.*

INDUSTRIAS HERGÓM, SL, does not assume responsibility for damage caused by tampering with its products that has not been authorized in writing or resulting from faulty installations.

**INDUSTRIAS HERGÓM, SL, reserves the right to modify its products without prior notice.**

Industrias Hergóm, SL, domiciled in Soto de la Marina - Cantabria - Spain, offers a **THREE YEAR** warranty for its devices. Industrias Hergom, SL guarantees the existence of spare parts and adequate technical service for 10 years from the date on which this product ceases to be manufactured.

The geographical coverage of this warranty only includes countries where Industrias Hergóm, SL, has a subsidiary company or official importer that distributes its products and where Community Directive 2019/771/EU is mandatory.

The warranty will come into effect from the date of purchase of the device shown on the warranty document and only covers damage or breakage caused by faults or manufacturing defects.

---

### **IMPORTANT WARNING**

If the appliance is not properly installed it will not provide the excellent service for which it was designed. Read all of these instructions and entrust the work to a specialist.

**Your device is protected on the surface by an anti-caloric paint, special for high temperatures. During the first lightings it is normal that a light smoke is released when one of its components evaporates, which allows the paint to take shape. We recommend ventilating the room until this phenomenon disappears.**

## 1 - INTRODUCTION

**IMPORTANT!** When installing the appliance, all local regulations must be observed, including those referring to national or European standards.

The way of installing the E-20 SE stove will have a decisive influence on safety and on its good functioning

Proper installation is very important and for the installation of the E-20 SE stove and that of the chimney are correct, we advise you to use the services of a professional installer

The E-20 SE stove gives off its heat by radiation, directly heating walls, ceilings, etc.

## 2 - PRESENTATION

The main features of the stove are the following:

- Made of cast iron with assembled parts, sealed and screwed together.
- Designed to operate only with drink.
- Allows you to burn 45 cm wood. length.
- Self-cleaning glass.
- Hinged front door with glass in glass ceramic.
- Watertight ashtray door
- Vertical smoke outlet from above the stove Ø 150 mm.
- It diffuses its heat by radiation, and directly heats walls, roofs, etc.
- Delivered completely factory-assembled, prepared to be connected to the chimney.

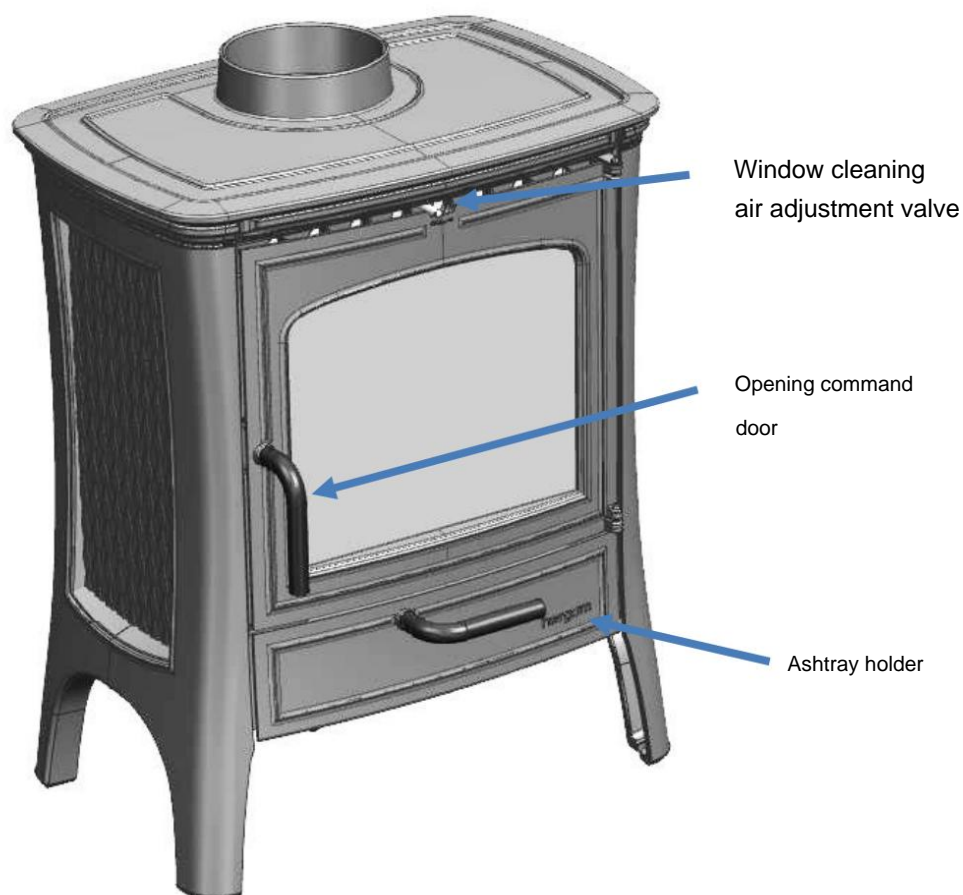


Fig. 1

### 3 - STOVE OPERATION

Once the stove is installed and connected to the chimney, it is ready for lighting the fire. Operating your stove is simple, but the process of burning solid fuels is complex because many factors come into play and it takes time and experience to fully understand.

Before lighting your stove for the first time, you must familiarize yourself with its various control systems and its parts, know how to choose the wood, how to turn it on and how to use it daily.

ALWAYS KEEP IN MIND that the stove gives off heat and children, clothing and furniture that could get burned must be kept away from it.

Here are some tips for getting to know your stove and how it works.

Please read them carefully.

#### ORDERS

To open the firebox door, turn the handle clockwise to the open position and pull gently outward

of it.

To close it, hold the position of the knob in the open position, push the door against the stove, pressing lightly and turn the knob slowly counter-clockwise to the closed position.

To open the ash pan door, turn the handle counter-clockwise from its horizontal closed position to the vertical open position, and lower the door slowly.

To close it, do the reverse. Hold the control in the vertical position, push the door against the stove, pressing lightly, and turn the control slowly clockwise until it is in the horizontal position of

closing.

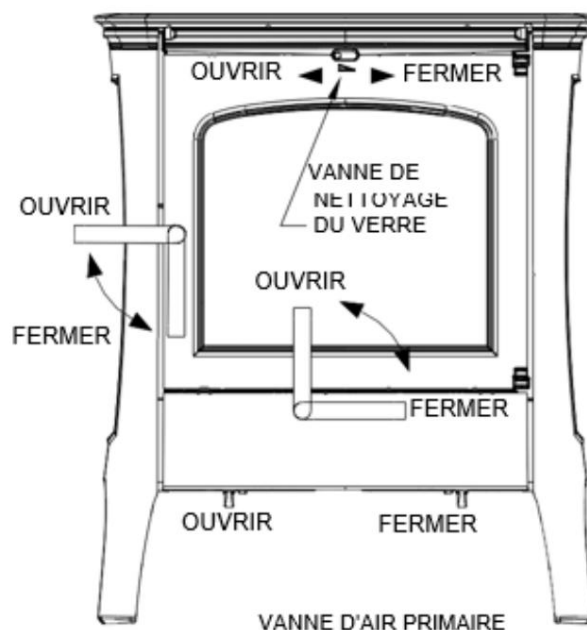


Fig.2

#### FIRST IGNITION

**Very important during the first ignition:** some drops of condensation water may come off the stove, produced by the humidity of the environment where the stove has been stored.

It is very important that the first ignition of the stove is done very slowly for the following reasons:

Stabilize cast iron parts.

- The drying of the cement sealing the joints.  
Advice:
  - We recommend that you use small amounts of wood during the first ignitions.
- For the draft to begin, heat the chimney by inserting a lighted paper in the gap between the front and the deflector, directing it towards the chimney.
- During the first ignition, keep the room where the stove is located ventilated, as there may be paint fumes.
- Keep the stove lit for a few hours at this operating rate.

- **IMPORTANT! The total height of the load must not exceed 50% of the height of the combustion chamber.**
- **Keep the stove closed during combustion to prevent smoke from escaping and only open it to load it.**

#### Daily use

After the first ignition, your stove is ready for daily use.

Your fireplace's heat needs will determine how often you need to load wood.

If your stove is cold we recommend always lighting it slowly.

#### Caution: do not overheat.

Overheating means that you have been running your stove at too high a temperature for a long time. Avoid this as it can damage your stove.

Overheating is the result of excessive draft caused by one of these reasons:

- Chimney too large.
- Improper maintenance of the stove which can produce air infiltration.
- Inadequate fuel that produces high temperatures.
- Door not closed properly.

#### ATTENTION!

**While the fireplace is in operation, the ash pan door must remain closed.**

## 4- CLEANING AND MAINTENANCE

Your stove is an appliance subject to extreme temperatures and the corrosive effect of combustion residues. Its regular maintenance is essential for its duration and better use. We therefore recommend carrying out the following checks frequently:

#### DURING THE SEASON OF USE

- Inspect the chimney. Clean the soot and tars if they have started to accumulate on the inside walls of the stove.
- Check what THE doors ferment tightly and adjust them if necessary.

#### AT THE END OF THE SEASON

- Inspect and clean the chimney.
- Vacuum the inside of the chimney and then inspect.
- Soot and tars (creosote) accumulated on the walls of your stove reduce its yield.
- Inspect the door seals and replace them if they do not give a perfect seal.
- For painted stoves, repaint the cast iron parts if necessary and use heat-resistant paint for this purpose.

#### CLEANING

Cleaning should always be done when the stove is cold.

#### Ash removal

These stoves are equipped with an ashtray located under the bottom of the hearth.

Take out the ashtray and empty it of ashes.

Empty the ashes into a metal container and immediately take him out of the house. If it's necessary, clean the ashtray housing.

#### Painted parts

These parts must be cleaned with a completely dry cloth to prevent them from oxidizing.

### **Connector and chimney**

Refer to the Installer's Manual, to the corresponding chapter on this subject.

### **DOOR GLASS**

#### **Cleaning**

Window cleaners for stoves are quite effective products.

Never attempt to clean the glass while the stove is in operation.

If the glass of your stove is constantly misted with soot, it means that your fire is "poor" and that the connector and chimney are clogged with soot and of creosote.

#### **Glass replacement**

The panes of your stove are made especially for wood-burning stoves.

In the event of breakage, you will have to replace the glass with another with the same characteristics.

Contact our distributor to provide you with the appropriate glass, together with the assembly instructions and the necessary gaskets.

### **MAINTENANCE PRODUCTS**

Industrias HERGÓM SL offers you a series of products for the preservation of your stove and fireplace:

Heat resistant paint, refractory paste, cleans windows.

## **5 - PRODUCT RECYCLING**

Your device is delivered wrapped in plastic and cardboard on a wooden pallet. You can use cardboard and wood as fuel for the first lightings of the appliance or bring it to a local recycling point. The plastic that protects the device must be taken to a specific local recycling point or centre, it must not be thrown away in a conventional bin.

All local regulations, including those referring to national or European standards, must be observed when recycling the product at the end of its useful life. The product should never be thrown into a conventional trash can. His device is made up of elements in cast iron, steel, glass, insulating materials and electrical equipment, which are assembled using screws and rivets. You can dismantle it and take it to a specific local recycling point or centre. Glass should not be disposed of in conventional trash cans.

## 6 - SECURITY

### WARNING

Gas/wood/pellet appliances heat up during operation.

Therefore, one must act with caution and stay away from it. In particular, prevent children, the elderly or other persons requiring special care from approaching the switched on appliance. The same recommendation is valid for pets.

Make sure that children or people who are not familiar with the operation of the appliance are under the supervision of responsible persons when they come near it.

To avoid burns and to prevent children or persons who should not be in contact with the appliance from approaching it, place a firebreak or a separator.

There are possible risks to consider when operating your solid fuel fireplace, regardless of brand. Minimize these risks by following the instructions and recommendations given in this manual.

- When you install the stove, take into account the necessary safety distances from the hearth and the chimney in relation to combustible surfaces (wooden or carpeted walls, wooden floor, etc.). These same distances must be respected when the coating of the walls or nearby areas is susceptible to deterioration or deformation under the effect of

temperature (varnishes, paints, PVC, etc.). **Fig.**

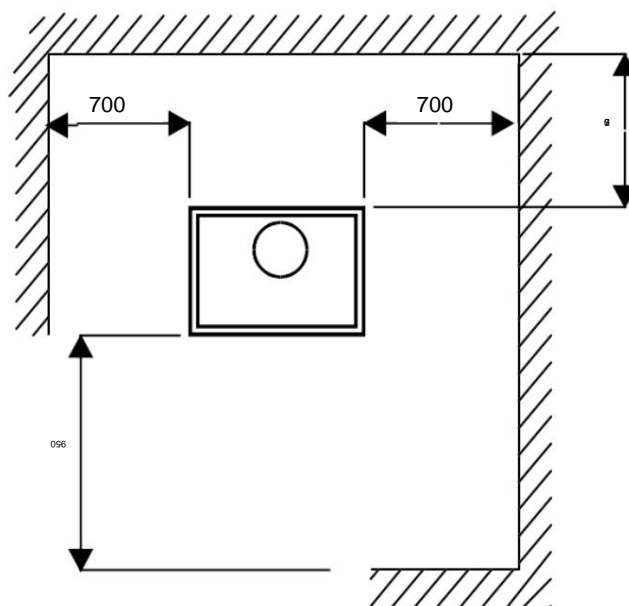
**3.**

- The base on which you are going to place your stove must be smooth and without unevenness which would prevent the appliance from sitting perfectly.

This base must be able to support the weight of the stove and be constructed of heat resistant materials .

**THIS STOVE MUST NEVER BE INSTALLED ON  
A FLOOR DETERIORABLE BY HEAT  
(ININFLAMMABLE)**

- All areas surrounding the stove must be resistant to high temperatures. If this is not the case, protection must be provided with fireproof material.
- The ashes must be emptied into a metal container and immediately removed from the House.
- Never use liquid fuels to light your stove. Keep away all kinds of flammable liquids (gasoline, alcohol, etc.).
- Never use coal or fuels that are not recommended for the operation of this product.
- Regularly inspect the chimney and clean it whenever necessary.  
Also check the condition of seals, glass, screws, etc.
- **Protect yourself with a glove or protective equipment isolator because during operation the opening and closing control heats up.**



**Fig. 3**

## 7 - DRAFT PROBLEMS

The following is a list of problems common to all stoves. All of these problems can be corrected and sometimes all it takes is a small adjustment to get the stove back to normal.

Remember that the weather affects the operation of your stove.

If your stove is leaking smoke inside the house, it is very possible that something like this is happening to you. suit:

If the fireplace is new:

- a) That the draft is insufficient.
- b) That the section or the height is not the appropriate one.
- c) That there is a constriction in the assembly.

If it is an existing chimney:

- a) That the chimney is blocked partly because from suie.
- b) Whether there is an internal or external rupture at the level where it takes the air.
- c) That it has a section or height smaller than that which requires the new device.

We recommend that you refer to the INSTALLER'S MANUAL chapter and carefully read everything that refers to Chimneys.

### ***WELCOME to the HERGÓM family.***

*We thank you for the trust placed in us by choosing our Hergom stove, which in terms of technique and style represents an important advance compared to classic wood stoves.*

*Your new Hergom stove mod. Glance is probably the most advanced solid fuel heating system currently. Owning a HERGÓM stove means having an exceptional sense of quality.*

*Please read this entire manual carefully. The purpose of the manual is in fact to help you become familiar with the appliance, reporting the rules for installation, operation and maintenance, which will be very useful to you. It is advisable to keep it carefully so that it can be consulted when necessary.*

*If after reading this manual you need any further clarification, do not hesitate to contact your trusted dealer.*

INDUSTRIAS HERGÓM, SL, declines all responsibility for damages caused by alterations to its products not authorized in writing, or by faulty installation.

**It also reserves the right to modify its products without notice.**

Industrias Hergóm, SL, based in Soto de la Marina - Cantabria - Spain, offers a **THREE-YEAR** guarantee on its appliances. Industrias Hergom, SL guarantees the existence of repairable parts and adequate technical service for 10 years from the date of discontinuation of production of this product.

This guarantee is valid only in countries in which Industrias Hergóm, SL has a branch or an official importer to carry out the distribution of its products and in which compliance with the Community Directive 2019/771/EU is mandatory.

The period of validity of the guarantee starts from the date of purchase of the appliance shown on the guarantee receipt, and covers only damages or breakages caused by manufacturing defects or faults.

---

### **IMPORTANT WARNING**

If the built-in fireplace is not installed properly, it will not provide the excellent performance for which it was designed. Read these instructions completely and entrust the work to a specialist.

**This built-in fireplace is protected on the surface by a heat resistant paint, special for high temperatures. The first few times it is started, it is normal for some smoke to be emitted, due to the evaporation of some components of the paint, which allows it to stabilize and fix. It is therefore advisable to ventilate the room until this phenomenon disappears.**



## 1. INTRODUCTION

**IMPORTANT! All local regulations, including those referring to national or European standards, must be observed when installing the appliance.**

The way in which the E-20 SE Stove is installed will decisively affect the safety and his proper operation.

A good installation is very important.

In order for the installation of the E-20 SE stove and the fireplace is correct, it is recommended that it be done by a professional.

The E-20 SE stove gives off heat by radiation, directly heating walls, ceilings, etc.

## 2 - PRESENTATION

The E-20 SE wood stove has the following main features:

- Cast iron structure, with assembled parts, sealed with gaskets and screwed together.
- Designed to be used with firewood only combustion.
- Allows you to burn pieces of wood up to 45 cm in length.
- Automatic glass cleaning.
- Front hinged door with crystal.
- Watertight ashtray door.
- Vertical smoke outlet Ø 150 mm.
- It gives off heat by radiation, directly heating walls, ceilings, etc.
- Supplied completely factory assembled, ready for connection to the fireplace.

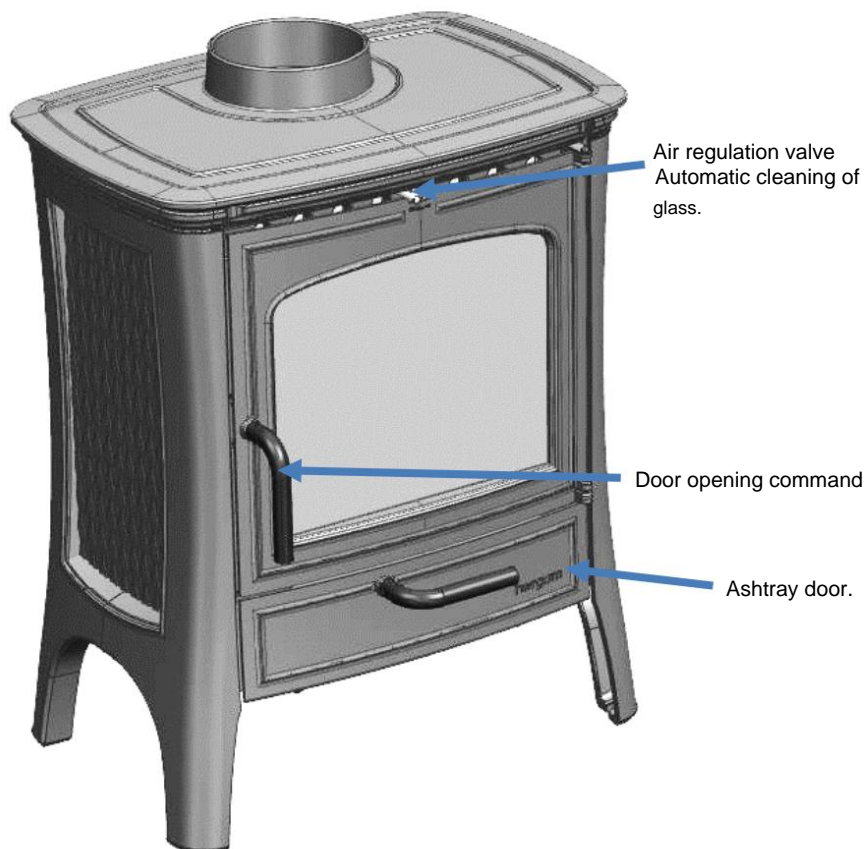


Fig.

## 1 3 - STOVE OPERATION

Once the stove has been installed and connected to the fireplace, it is ready to light the fire.

Although the operation of the stove is simple, the combustion process of solid fuel is complex, as several factors intervene and it takes time and experience to understand how

APER

it happens.

Before lighting the stove for the first time, familiarize yourself with the different control systems and structure of the stove, how to choose firewood, how to light it and how to use it on a daily basis.

ALWAYS KEEP IN MIND that the stove produces heat and therefore children, clothes and furniture must be kept away, as contact with them can cause burns.

Below we provide some suggestions for getting to know the stove correctly and how it works, which we ask you to read carefully.

#### COMMANDS

To open the fireplace door, turn the handle 90° clockwise to the open position and pull gently.

To close it, keep the handle in the open position, bring the door close to the stove by pressing lightly and gently turn the handle anticlockwise to the closed position.

To open the ashtray door, turn the handle counterclockwise, from the horizontal closed position to the vertical open position, and gently lower the door.

To close it, proceed in reverse order. Keep the handle in the vertical position, bring the door close to the stove by pressing lightly and gently turn the lever clockwise to the horizontal closed position.

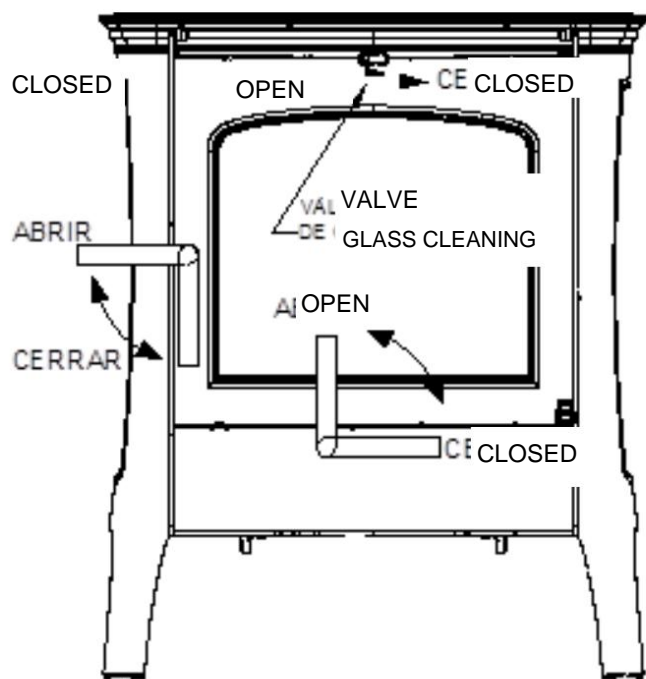


Fig. 2

#### FIRST LIGHTING

**Important on first ignition:** a few drops of water could come out of the stove due to the condensation produced by the humidity in the room where the stove was stored.

It is very important that the first lighting of the stove is done very slowly.

The reasons are as follows:

- Stabilize the cast iron parts.
- Polymerization of the sealing cement of the gaskets.

Suggestions:

- We recommend that the first loads of fuel are reduced.
- For the draft to start working, heat the fireplace by inserting a lit paper into the space between the front and the deflector, pointing it towards the fireplace.
- During the first lighting, keep the room in which the stove is located ventilated as paint fumes could form.
- Keep the stove on for a few hours at this operating regime.

- **IMPORTANT!** The total height of the load must not exceed 50% of the combustion chamber height.

- **The stove must always remain closed during combustion to prevent fumes from escaping.**

Opening it only during refills.

#### DAILY USE

The stove is ready for daily use after the first one power on.

The heating needs of your home will be those that will determine how often you have to load the wood.

Each time the stove cools down, it is recommended to turn it back on slowly

#### **Beware of overheating.**

Overheating means that you have run the heater at too high a temperature for a long time. This can damage the stove and should therefore be avoided.

Overheating is the result of excessive draft due to one of the following reasons:

- Fireplace too big.
- Incorrect maintenance of the stove which can cause air leaks.
- Inappropriate fuel that produces high temperature.
- Door closed incorrectly.

#### **ATTENTION!**

**While the stove is working, the ash tray door must remain closed.**

## 4 - CLEANING AND MAINTENANCE

This stove is an appliance subject to extreme temperatures and the corrosive effect of residues from the combustion. Its periodic maintenance is essential to obtain a longer life and better use. For this, it is recommended to perform the following checks frequently:

#### **DURING THE SEASON OF USE**

- Visually inspect the fireplace. Clean the soot and the ashes if they have started to accumulate on inner walls of the stove.
- Verify that the doors they close tightly and adjust them if necessary.

#### **SEASON FINISHED**

- Inspect and clean the chimney.
- Vacuum the inside of the insert and inspect it.
- Soot and tars (creosote) that accumulate on compact walls they reduce performance.
- Inspect the door seals. These should be replaced when they no longer seal perfectly.
- In painted stoves, repaint the cast iron parts if necessary. To do this, use heat resistant paint.

#### **CLEANING**

Cleaning should always be done when the stove it's cold.

#### **Ash cleaning**

These stoves are equipped with an ashtray located under the bottom of the hearth.

To access it, open the ashtray door.

Take out the ashtray that is inside and clean it from the ash.

The ashes must be emptied into a container metal and immediately take it out of the house.

If necessary, clean the ashtray housing.

### **Painted parts**

These components must be cleaned with a totally dry cloth to avoid oxidation.

### **collector and chimney**

Read the chapter corresponding to this topic in the Installer Manual.

## **DOOR CRYSTALS**

### **Cleaning**

Stove glass cleaners are quite effective products.

Never try to clean the windows when the stove is running.

If the door glass is constantly fogged with soot, this means that the fire is "poor" and as a result the collector and chimney become clogged with soot and creosote.

### **Replacement**

Stove tops are specially made for wood burning stoves.

In case of breakage, it must be replaced by another one with the same characteristics. Contact our reseller to have the appropriate glass, accompanied by the assembly instructions and the joints.

## **PRESERVATION PRODUCTS**

Industrias HERGÓM SL offers a series of products for the conservation of the stove and the fireplace:

Anti-heat paint, refractory mastic, glass cleaner.

## **5 - PRODUCT RECYCLING**

The device is delivered packed in plastic and a cardboard box on a wooden pallet. It is possible to use cardboard and wood as fuel for the first ignitions of the appliance or take it to a local differentiated collection point. The plastic that protects the device must be taken to a specific local recycling point or centre, it must not be disposed of in conventional waste containers.

You must comply with all local regulations, including those referring to national or European standards when recycling the device at the end of its useful life. The product must never be disposed of in normal waste containers. Its apparatus is made up of components in cast iron, steel, glass, insulating materials and electrical material, which are assembled using screws and rivets. He can take it apart and

take it to a specific local recycling point or center. Glass should not be disposed of in normal waste containers.

## 6 – SAFETY

### WARNING

**Gas/wood/pellet appliances get hot during operation.**

**Consequently, while the appliance is switched on, care must be exercised and kept away, especially avoid the proximity of children, the elderly or other persons requiring special attention, as well as pets.**

**Make sure that children or other people who are not familiar with the operation**

**of the appliance are supervised by responsible persons when they approach it.**

**To protect yourself from burns and to protect children or people who must not come into contact with the appliance, place a fire shield.**

There are potential risks to keep in mind when using a solid fuel stove, regardless of brand. Such risks can be minimized by following the instructions and recommendations provided in this manual.

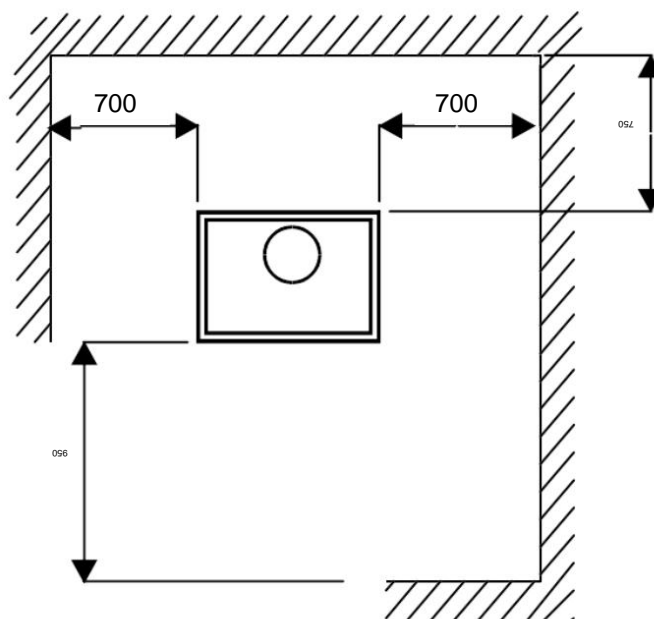
- When positioning the stove, take into account the distances of safety necessary, is the appliance and the fireplace, from flammable surfaces (wooden walls or wallpaper, wooden floors, etc.). These same distances must be respected when the cladding of the walls or nearby areas is susceptible to deterioration or deformation due to the effect of temperature (paints, enamels, PVC, etc.). **Fig.3**

- The base on which to place the stove must have a flat surface without any irregularities that prevent correct stabilisation. This foundation, in turn, must be able to support the weight of the stove. The support base must be made of resistant materials

heat.

**THIS STOVE SHOULD NEVER BE  
INSTALLED ON A DETERIORABLE FLOOR  
DUE TO THE HEAT (NOT FLAMMABLE)**

- All areas surrounding the stove must be resistant to temperatures, otherwise they must be adapted and protected with fireproof material.
- Ashes must be emptied into a metal container and take it out of the house immediately.
- Liquid fuels must never be used to light the stove. Keep away from any type of flammable liquid (gasoline, oil, alcohol, etc.).
- Never use coal or non fuels indicated for the operation of this appliance.
- Carry out periodic inspections of the chimney and clean it whenever necessary. Also check the condition of seals, glass, screws, etc.
- **Protect your hand with a glove or other insulating material, as the opening and closing handle gets hot during operation.**



**Fig. 3**

## 7 - DRAFT PROBLEMS

Below is a list of problems common to any type of stove. All of these problems are fixable and sometimes just require a minor adjustment to get the stove working again.

Remember that the weather affects how the stove works.

If your stove is causing smoke to leak into your home, it is very likely that the following will happen to it:

If it is a newly built fireplace:

- a) That the draft is insufficient.
- b) That the section or height is not adequate.
- c) That it has some structural obstruction.

If it is an existing fireplace:

- a) That the fireplace is partially blocked by soot.
- b) That there has been some internal rupture or external at the point where I take the air.
- c) Which has a section or height lower than that required by the new appliance.

It is advisable to go back to the INSTALLER MANUAL chapter and carefully read everything concerning fireplaces.

**WELCOME to the HERGOM family.**

*We thank you for your attention in choosing our Glance Stove, whose technique and style are an important advance in wood stoves.*

*This new Greenhouse of yours is perhaps the most advanced solid fuel heating system today. Owning a HERGOM Greenhouse is the manifestation of a sense of quality exceptional.*

*Please read this manual in its entirety to familiarize yourself with the device. The manual indicates the installation, operation and maintenance standards that will be very useful.*

*Keep it and refer to it when needed.*

*If after reading this manual you need any clarification, please consult your usual supplier.*

INDUSTRIAS HERGÓM, SL, is not responsible for damages due to alterations to the products that have not been authorized in writing, or due to faulty installation.

**INDUSTRIAS HERGÓM, SL also reserves the right to modify its products without prior notice.**

Industrias Hergóm, SL, based in Soto de la Marina - Cantabria - Spain, offers a **THREE YEAR** guarantee for its appliances. Industrias Hergom, SL guarantees the existence of spare parts and adequate technical assistance for 10 years from the date this product leaves to be manufactured.

The geographic coverage of this guarantee only includes countries where Industrias Hergóm, SL, a subsidiary company or an official importer distribute its products and in which Community Directive 2019/771/EU applies.

The guarantee applies from the date of purchase of the appliance indicated on the guarantee certificate and covers only deterioration or breakage due to defects or manufacturing defects.

---

**IMPORTANT ANNOUNCEMENT**

If the device is not properly installed, it will not provide the excellent service for which it was designed. Read all the instructions and entrust the installation work to a specialist.

**Your device is superficially protected with anti-caloric paint, especially for high temperatures. The first few times it is lit, there is a slight smoke which is due to the evaporation of some of the components of the paint and which allow it to take shape; This is normal. We recommend therefore ventilate the room well until this phenomenon disappears.**

## 1. INTRODUCTION

**IMPORTANT! All local regulations, including those referring to national or European standards, must be complied with when installing the appliance.**

The way to install the E-20 SE Stove will influence decisively in its safety and proper functioning.

It is very important to perform a good installation. It is recommended that the installation of the E-20 SE and the chimney be carried out by a professional.

The E-20 SE stove sends heat through radiation, directly heating walls, ceilings, etc.

## 2 - PRESENTATION

The E-20 SE wood stove has the following main features:

- Made of cast iron, with parts assembled, sealed and screwed together.
- They are designed to work with firewood only.
- Allows you to burn firewood up to 45 cm in length length.
- Self-cleaning glass.
- Swing front door with vitroceramic glass.
- Watertight ashtray door.
- Vertical smoke outlet through the Ø 150 mm plate.
- Gives away its heat by radiation, directly heating walls, ceilings, etc.
- Supplied fully assembled at the factory prepared to connect to the chimney.

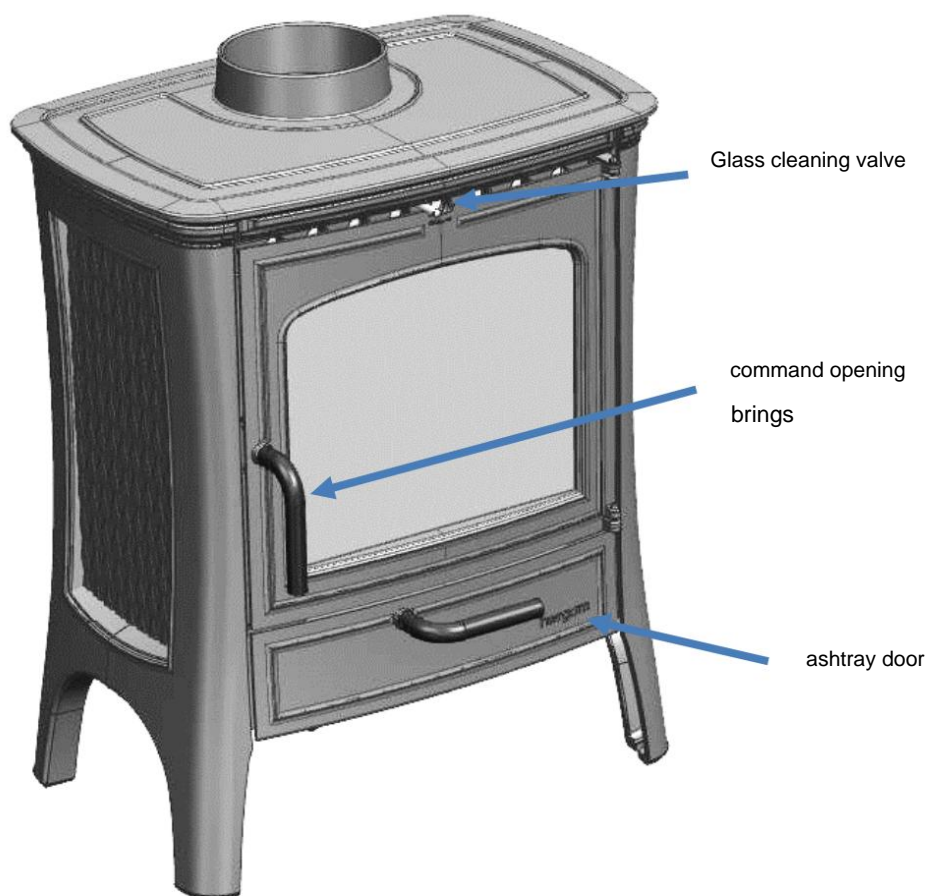


Fig. 1



### 3 - STOVE OPERATION

Once the stove is installed and connected to the chimney, you can light the fire.

Although operating the stove is easy, the solid fuel combustion process is complex, as several factors intervene and time and experience are needed to understand how it is done.

Before lighting the stove for the first time, familiarize yourself with the different

control and the various parts of the appliance, choosing the firewood, how to light it and use it daily.

ALWAYS TAKE INTO ACCOUNT that the stove produces heat, so keep children, clothes, furniture... away from it, as contact with the appliance can cause burns.

Below are some tips for getting to know the stove properly and how it works, and we ask you to read them carefully.

#### COMMANDS

To open the furnace door, turn the handle clockwise to the open position and gently pull it.

To close it, keep the handle in the open position, bring the door against the stove, pressing lightly, and gently turn the lock anti-clockwise to the closed position.

To open the ashtray door, turn the handle counterclockwise from the horizontal closed position to the vertical open position and gently lower the door.

To close it, proceed in reverse order. Keep the control in a vertical position, bring the door against the stove, pressing lightly, and gently turn the lock clockwise to the horizontal closed position.

#### FIRST LIGHTING

**Important for the first lighting:** a few drops of condensed water may come out of the stove, produced by the humidity of the environment where the stove was stored.

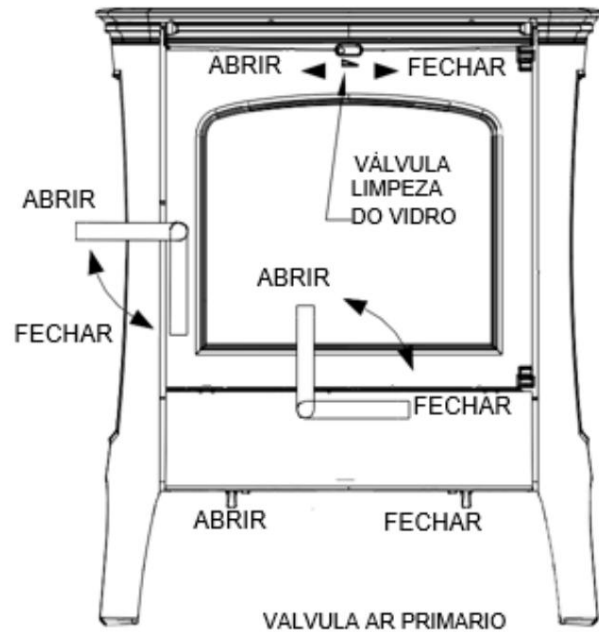


Fig.2

When lighting the stove for the first time, it is very important to light it very slowly.

The reasons are as follows:

- Stabilize cast iron parts.
- Carry out the hardening of the sealing cement of together.

#### Advices:

- We recommend that the first loads be small.
- For the draft to start working, heat the chimney by introducing a lit piece of paper through the space between the front and the deflector, directing it towards the chimney.
- While carrying out the first lighting, keep the place where the stove is ventilated, as paint vapors may be emanated.
- Keep the stove on for a few hours in this operating regime.
- **IMPORTANT: The total height of the load must not exceed 50% of the height of the combustion chamber.**
- **During combustion, the stove must always remain closed to prevent the release of fumes; open only during loads.**

### Daily use

Your stove is ready for daily use after the first lighting.

Fireplace heat needs will be determined by the frequency of loading the firewood.

When the stove is cold, it is recommended to light it slowly.

### Avoid overheating.

Overheating means that the stove has been operating at an excessively high temperature for a long period of time. This can deteriorate the stove and should therefore be avoided.

Overheating is the result of excessive draft, due to any of these reasons:

- Primary air valve too open for the type of wood used.
- Chimney too big.
- Incorrect maintenance of the stove, which can cause air infiltration.
- Inadequate fuel producing high temperatures.
- Badly closed door.

### ATTENTION!

**During stove operation, the ashtray door must remain closed.**

## 4 - CLEANING AND MAINTENANCE

Your stove is an appliance that is subjected to extreme temperatures and the corrosive effect of combustion residues. Periodic maintenance is essential to achieve a longer life and better use of it. Therefore, we recommend carrying out the following checks frequently:

### DURING THE SEASON OF USE

- Visually inspect the chimney. Clean soot and tar if there are accumulations of these residues on the inner walls of the stove.
- Check that the doors close hermetically; Adjust them if necessary.

### AT THE END OF THE SEASON

- Inspect and clean the chimney.
- Pass the vacuum cleaner through the inside of the stove and make an inspection.
- The soot and tar (creosote) that accumulate on the walls of the stove lower the performance.
- Inspect the door gaskets; must be replaced when they close no perfectly.
- In painted stoves, repaint the cast iron parts if necessary, with a high temperature paint.

### CLEANING

Cleaning must always be carried out when the stove is cold.

#### ash cleaning

These greenhouses are equipped with an ash box located under the bottom of the fireplace.

Take out the ash box and clean it.

The ashes must be emptied into a metal container and immediately taken out of the house.

If necessary, clean the ash box housing.

### **painted parts**

These parts must be cleaned with a completely dry cloth to avoid oxidation.

### **connector and chimney**

Read the corresponding chapter in the Installer's Manual.

## **DOOR GLASSES**

### **Cleaning**

Glass cleaners for greenhouses are quite effective.

Never attempt to clean the windows while driving. greenhouse operation.

We recommend using the HERGÓM window cleaner for its effectiveness.

If the glass on the stove door is constantly dirty with soot, this indicates that the fire is "poor" and that, therefore, the connector and chimney are clogged with soot and creosote.

### **Replacement**

Stove glazing is made especially for wood stoves.

In case of breakage, the glass must be replaced by another with the same characteristics. Ask our distributor to supply you with the right glass, complete with assembly instructions and gaskets.

## **PRESERVATION PRODUCTS**

Industrias HERGÓM SL offers a series of products for stove and chimney care:

Anti-caloric paint, refractory paste, glass cleaner.

## **5 - PRODUCT RECYCLING**

Your appliance is delivered wrapped in plastic and in a cardboard box on a wooden pallet. You can use cardboard and wood as fuel for the first few lights of the appliance or take it to a local recycling point. The plastic that protects the device must be taken to a specific local recycling point or center, it must not be disposed of in conventional wastebaskets.

All local regulations, including those referring to national or European regulations, must be applied when recycling this device at the end of its useful life. The product must never be disposed of in conventional wastebaskets. Your device is made up of components made of cast iron, steel, glass, insulating materials and electrical material, which are assembled with screws and rivets. You can dismantle it and take it to a specific local recycling point or center. Glass should not be disposed of in conventional wastebaskets.

## 6 - SAFETY

### WARNING

**Gas/wood/pellet appliances heat up during operation.**

Therefore, you must be careful and stay away from the appliance and, in particular, avoid bringing children, elderly people or others needing special attention, as well as animals, while the appliance is switched on.

Make sure that children or people unfamiliar with the appliance are supervised by responsible persons when approaching the appliance.

To avoid burns and to prevent children or elderly people from touching the appliance, place a fire-stop or separator.

There are risks to be aware of when operating your solid fuel oven, whatever the brand.

These risks can be minimized by following the instructions and recommendations given in this manual.

- When placing the stove, respect the necessary safety distances, both from the oven, the chimney, combustible surfaces (wooden or covered walls, wooden floor, etc.). These distances must be respected when the covering of walls or nearby areas is susceptible to deterioration or deformation due to the effect of temperatures (varnishes, paints, PVC, etc.).

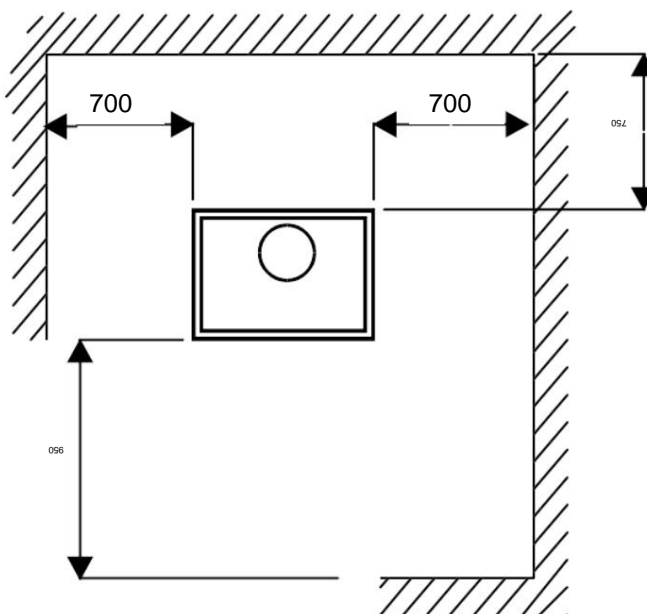
**Fig. 3.**

- The base where the stove will be placed must have a flat surface with no gaps for perfect laying. This base must also be able to support the weight of the greenhouse. The support base must be built with materials resistant to heat.

**THIS STOVE MUST NEVER BE INSTALLED IN A FLOOR DETERIORABLE BY HEAT (NON FLAMMABLE)**

- All areas around the stove must be temperature resistant. If not, it will be necessary to protect them with a fireproof material.

- The ashes must be emptied into a metal container and immediately taken out of the house.
- Never use liquid fuels to light the stove. Keep away any type of flammable liquid (gasoline, petroleum, alcohol, etc.).
- Never use coal or fuels that are not recommended for this product to work.
- Periodically inspect the chimney and clean it whenever necessary. Also inspect the state of gaskets, glass, screws, etc.
- Protect your hand with a glove or other insulating material, as the opening and closing controls heat up during operation.



**Fig. 3**

## 7. RUN PROBLEMS

What follows is a list of problems that are common to any type of greenhouse. All these problems are correctable and sometimes only require a small readjustment for the stove to function normally again.

Remember that the weather affects the operation of your stove.

If your stove leaks smoke into the house, the most likely thing is that the following occurs:

If it is a new construction chimney:

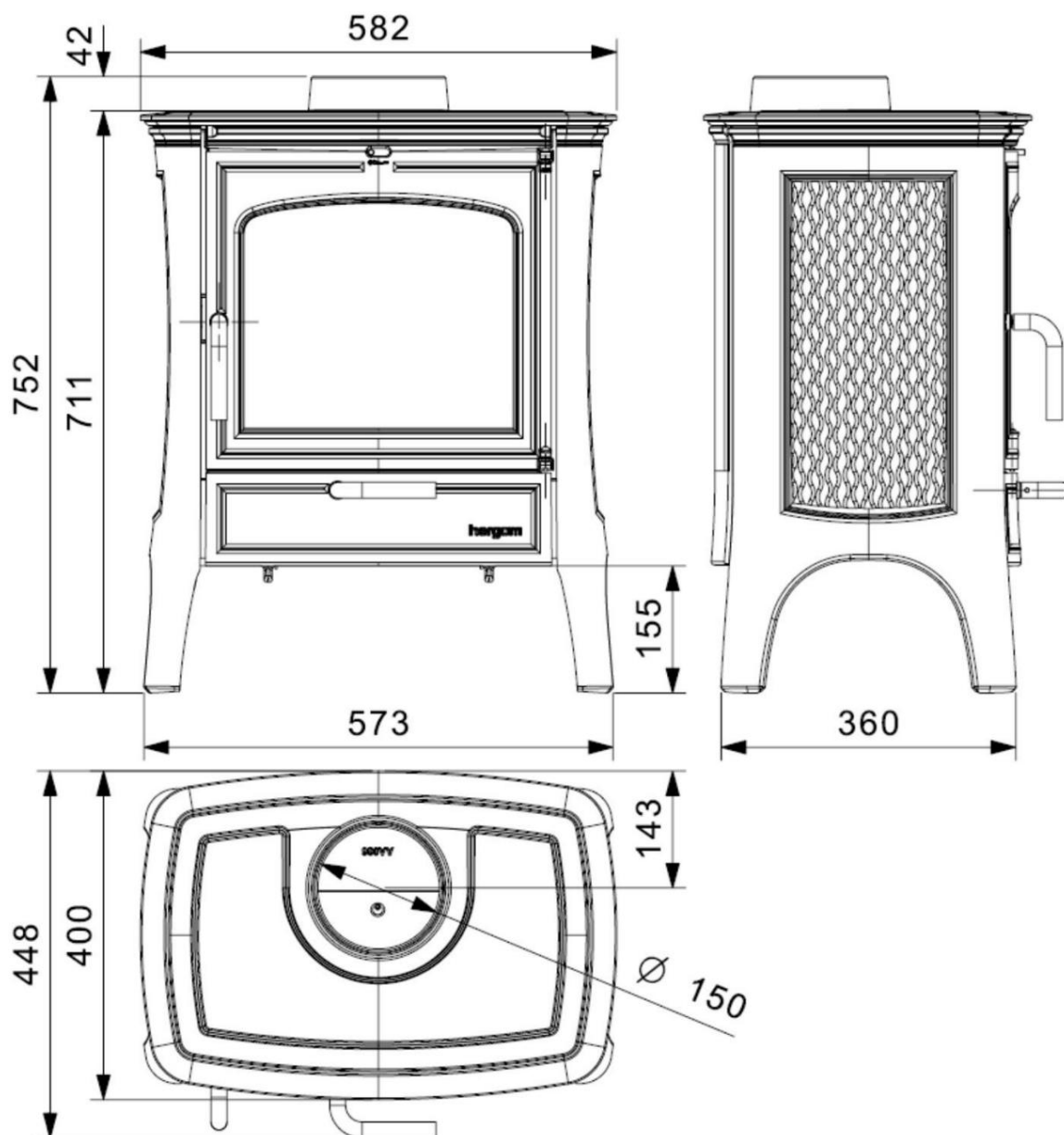
- a) That the print run is insufficient.
- b) That the section or height is not adequate.
- c) That it has some bottleneck in the set.

If it is an existing chimney:

- a) That the chimney is partially obstructed by soot.
- b) That there has been some rupture, internal or external, through which air enters.
- c) That has a smaller section or height than required the new device.

We recommend that you return to the chapter «Manual for the installer» and carefully read everything referring to chimneys.

## 8 - DIMENSIONS / MEASURES / DIMENSIONS / DIMENSIONI / DIMENSÕES



## 9 - TECHNICAL DATA / DONNÉES TECHNIQUES / DATI TECNICI / TECHNICAL DATA

Potencia Nominal / Nominal power / Puissance nominale / Potenza nominale / Nominal power ** (KW)		5,7
Average gas temperature / Average smoke temperature / Temperature moyenne de gaz / Average gas temperature / Average temperature of two gases (°C)		253
Average temperature en collarín de salida / Average temperature at flue ring / Température moyenne dans le collier de sortie / Average temperature in the outlet joint / Temperatura média no colarim de saída (°C)		304
Mass flow rate of smoke / Mass flow rate of smoke / Débit massique des fumées / Flusso del fumo / Mass flow rate of two smokes (gr/sec)		5,9
Mean CO concentration / CO emissions / Concentration moyenne de CO / Concentrazione media di CO / Concentração de CO medio (13% O <sub>2</sub> – Vol. %)		0,1
Performance / Efficiency / Rendement / Prestazione / Rendimento (%)		80
Admit troncos de leña de longitud / Accepts logs of the following length / Admet des buches de bois d'une longueur de		420
Puerta Frontal / Fire door / Front door / Front door / Front door:	Alto / Height / Hauteur / Height / Alto: (mm)	400
	Ancho / Width / Largeur / Width / Largura: (mm)	450
Smoke collar / Smoke collar / Colerette de fumées / Giunto uscita fumi / Colarim de fumos (Ø mm)		150
Chimenea metálica / Metal chimney / Cheminee metallique / Metal fireplace / Metal chimney (Ø mm)		150
Recommended chimney height / Recommended chimney height / Hauteur de cheminee recommandee / Altezza camino consigliata / Recommended chimney height (m)		5 – 6 *
Masonry chimney minimum approximate / Masonry chimney min. approx. / Cheminee de Maçonnerie minimum approximatif / Camino minimo aproximativo in muratura / Chaminé de alvenaria minimum approximate (mm)		175 x 175
Recommended draw / Recommended draw / Recommended draw / Recommended draft (Pa)		20
Smoke outlet / Smoke outlet / Sortie des fumées / Uscita fumi / Saída de fumos		Vertical
Peso / Weight / Poids / Peso / Peso (Kg)		90

\* For other measures consult the Distributor or the Maker. (Approximate values.)

**Approved stove following the specifications of the UNE-EN 13240:2002 standard "Stoves that use solid fuels - Requirements and test methods", modified by UNE-EN 13240/AC and UNE-EN 13240:2002/A2.**

**WARNING! Your stove must not be used as incinerator and other fuels (plastics, agglomerates, etc.) should not be used. Use recommended materials.**

**Do not use wood that comes from the sea as fuel. The salts contained in it react in the combustion releasing acids that attack iron and steel.**

\* In the case of other dimensions consult your Dealer or the Manufacturer (Approximate Values) **Stove approved based on the specifications provided in UNE-EN 13240:2002 "Room heaters fired by solid fuel - Requirements and test methods", as amended by UNE-EN 13240/AC and UNE-EN 13240:2002/A2.**

**ATTENTION! Your heater should not be used as an incinerator and no other types of fuel should be used (plastic, chipboard...). Use recommended materials only.**

**Do not use wood washed ashore from the sea as fuel. The salt contained in it will react in the combustion process and release acid that will damage the iron and steel.**

\* For other measurements, consult the distributor or the manufacturer (approximate values).

**Stove approved in accordance with the specifications of standard UNE-EN 13240:2002 "Heating appliances using solid fuel - Requirements and test methods" modified by UNE-EN 13240/AC and UNE-EN 13240:2002/A2.**

**WARNING! Your stove must not be used as an incinerator and you must not use other fuels (plastics, chipboard, etc.) than those recommended.**

**Do not use wood washed up from the sea as fuel. The salts it contains react with combustion, releasing acids which attack iron and steel.**

\* For other measurements consult the distributor or the producer. (Approximate values.)

**Stove approved according to the specifications of the legislation UNE-EN 13240: 2002 "Stoves that use fuel solids - Requirements and test methods", modified by UNE-EN 13240/AC and UNE-EN 13240: 2002/A2.**

**ATTENTION! The stove must not be used as incinerator and others must not be used combustibles (plastics, agglomerates, etc.). Use recommended materials.**

**Do not use wood from the sea as fuel. The salts it contains react in combustion by releasing acids which attack the iron and the steel.**

\*For other measures, consult the Distributor or the Manufacturer. (Approximated values.)

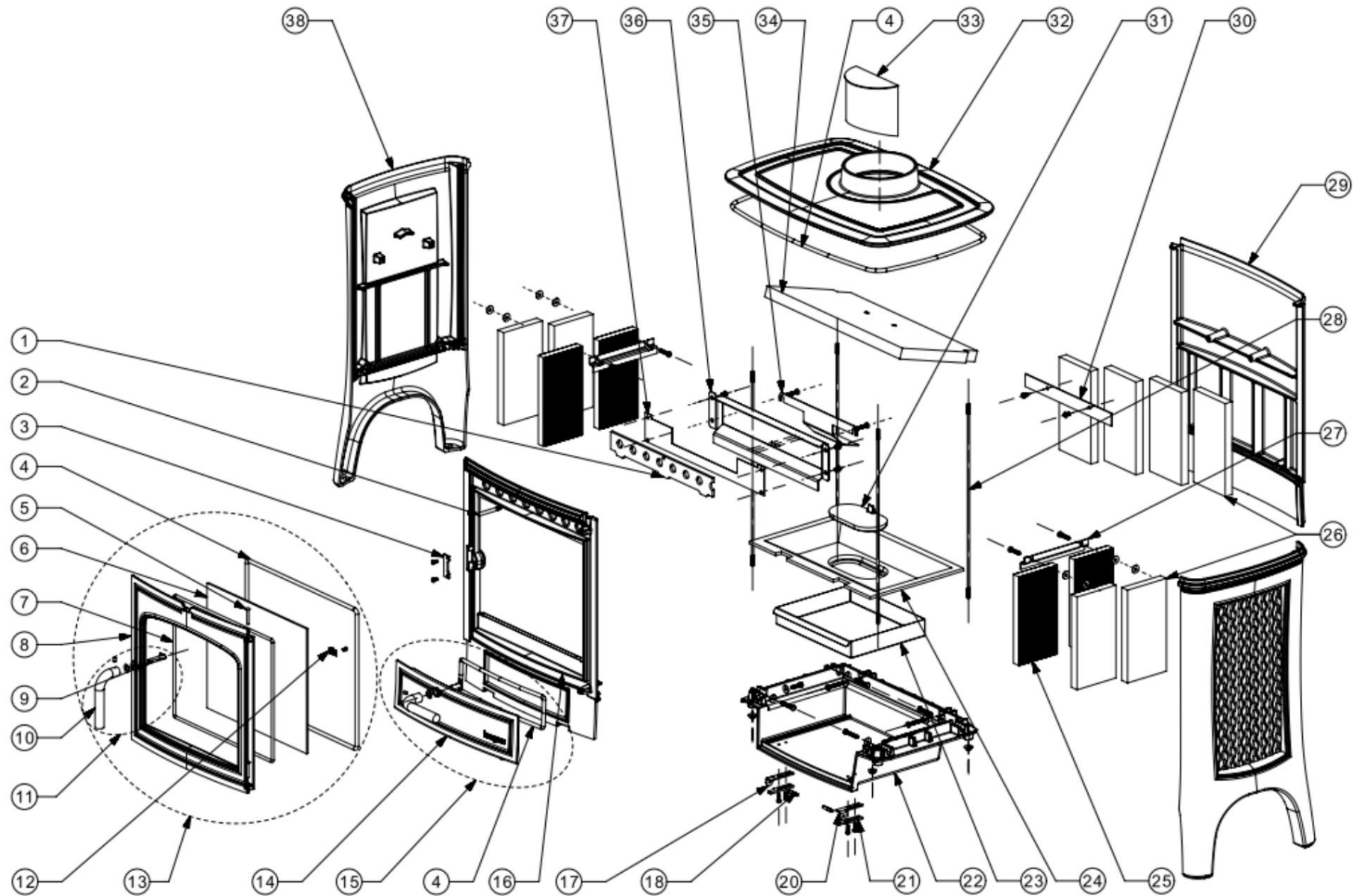
**Stove homologated following the specifications of standard UNE-EN 13240:2002 "Greens that use solid fuels – Requirements and test methods", modified by UNE-EN 13240/AC and UNE-EN 13240:2002/A2.**

**WARNING! This oven must not be used as a incinerator and you must not use other combustibles (plastics, agglomerates, etc.). Use the recommended materials.**

**Do not use wood that comes from the sea as fuel. The salts they contain react during combustion, releasing acids that attack iron and steel.**



10 – STOVE COMPONENTS / EXPLODED VIEW / EXPLODÉ / COMPONENTI / EXPLODIDO



## 11 – REPUESTOS / SPARE PART / PIÈCES DE RECHANGES / RICAMBI / SPARE PARTS

PC NO PART	NAME	QTY
1	9917514	1
2	9900859	1
3	9917028	1
4	99J38	1
5	99T316	2
6	9920763	1
7	99J14	1
8	9917020	1
9	9901355	2
10	9915861	2
11	9920761	2
12	9917002	3
13	9920764	1
14	9917024	1
15	9920762	1
16	9915852	1
17	9917463	1
18	99T1472530	2

PC NO PART	NAME	QTY
20	9917463	1
21	9917463	2
22	9920765	1
23	9920758	1
24	9906833	1
25	9901053	4
26	9901049	8
27	9921187	2
28	99T5460	4
29	9920754	1
30	9921188	1
31	9920095	1
32	9920753	1
33	9921146	1
34	9921147	1
35	9921148	1
36	9921184	1
37	9921149	1
38	9915850	2

It is recommended to use replacement parts recommended by the manufacturer.

**INDUSTRIAS HERGÓM, SL** declines all responsibility derived from faulty installation or incorrect use and reserves the right to modify its products without prior notice.

The responsibility for manufacturing defects will be subject to the criteria and verification of its technicians, being in any case limited to the repair or replacement of its products, excluding the works and deterioration that said repair could cause.

We recommend using spare parts recommended by the manufacturer.

**INDUSTRIAS HERGÓM, S.L.**, rejects any liability derived from a faulty installation or incorrect use and reserves the right to alter its products without prior warning.

Any liability due to manufacturing defects will be subject to the criteria and verification of the company's experts and will be limited to the repair or replacement of its products, excluding any construction work or damage the said repairs may cause.

We advise the use of spare parts recommended by the manufacturer.

**INDUSTRIAS HERGÓM, SL** declines all responsibility for faulty installation or incorrect use and reserves the right to modify its products without prior notice. Responsibility for manufacturing defects will be subject to the criteria and approval of its expert technicians and will translate, limited in all cases, by the repair or the replacement of its manufactured parts excluding the works and deteriorations which would result from this repair.

It is recommended to use only replacement parts recommended by the manufacturer.

**INDUSTRIAS HERGÓM, SL** declines all responsibility deriving from incorrect installation or incorrect use and reserves the right to modify its products without notice.

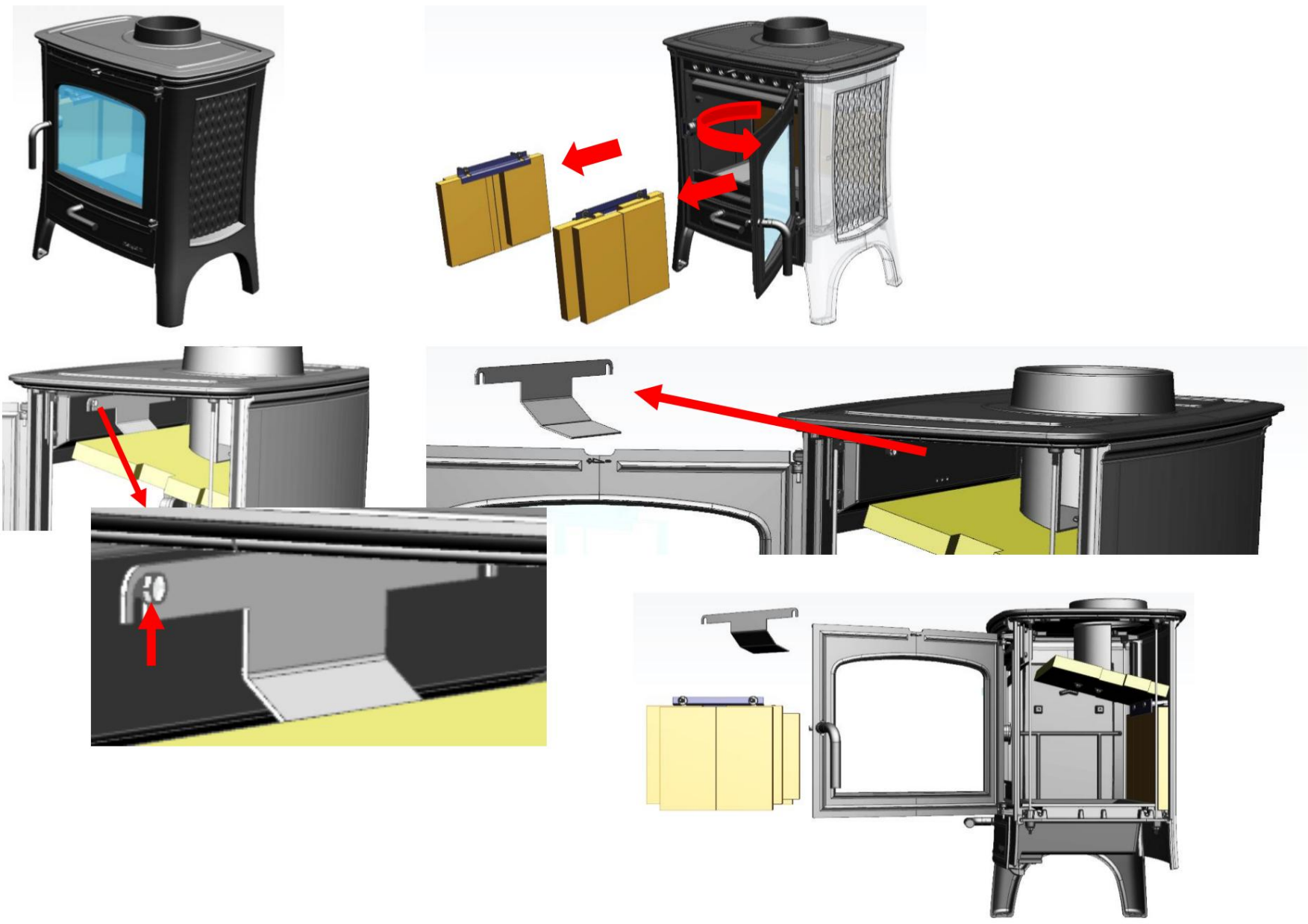
Responsibility for manufacturing defects will be subject to the judgment and verification of its technicians and, in any case, will be limited to the repair or replacement of its products, excluding the work and damage that such repair may cause.

It is recommended to use spare parts recommended by the manufacturer.

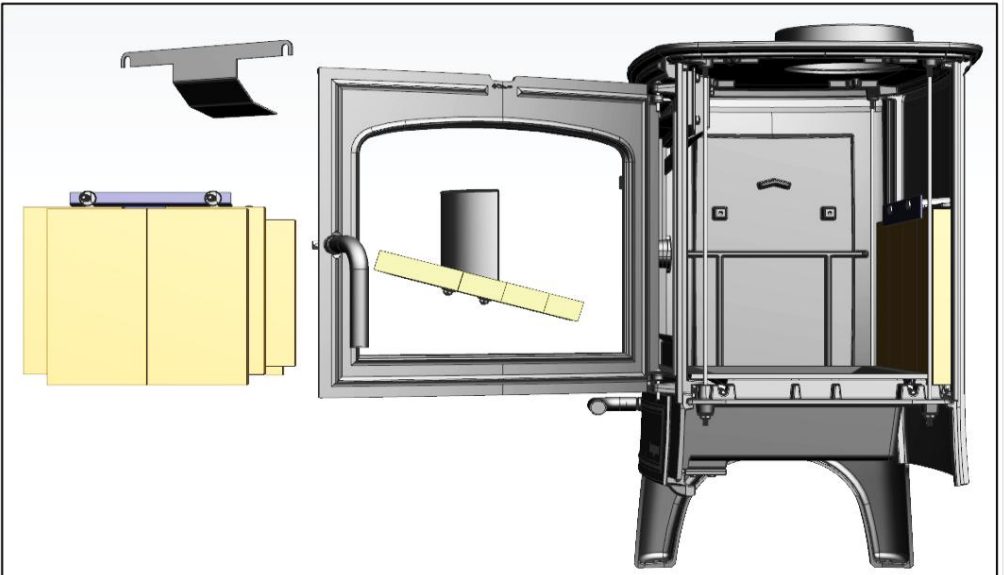
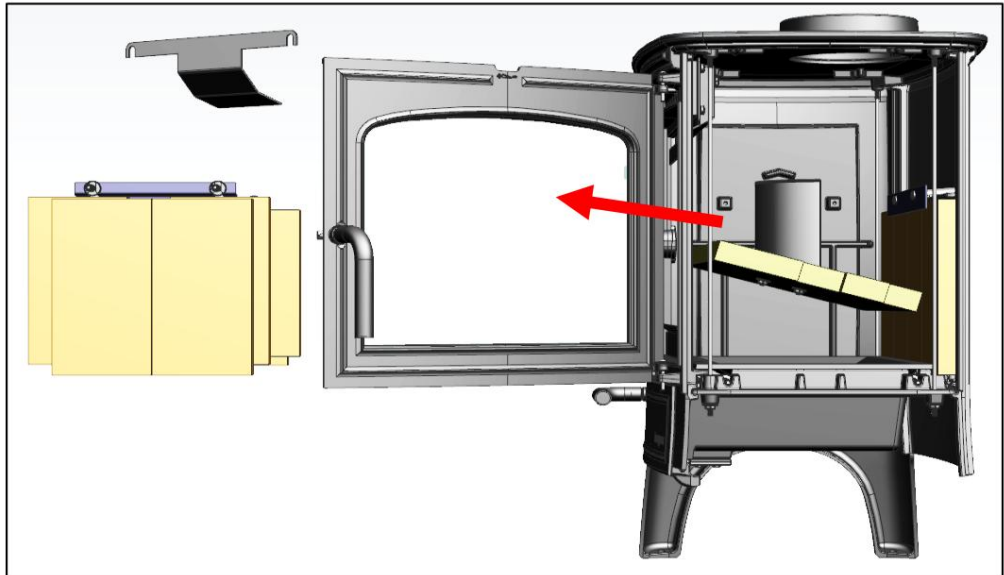
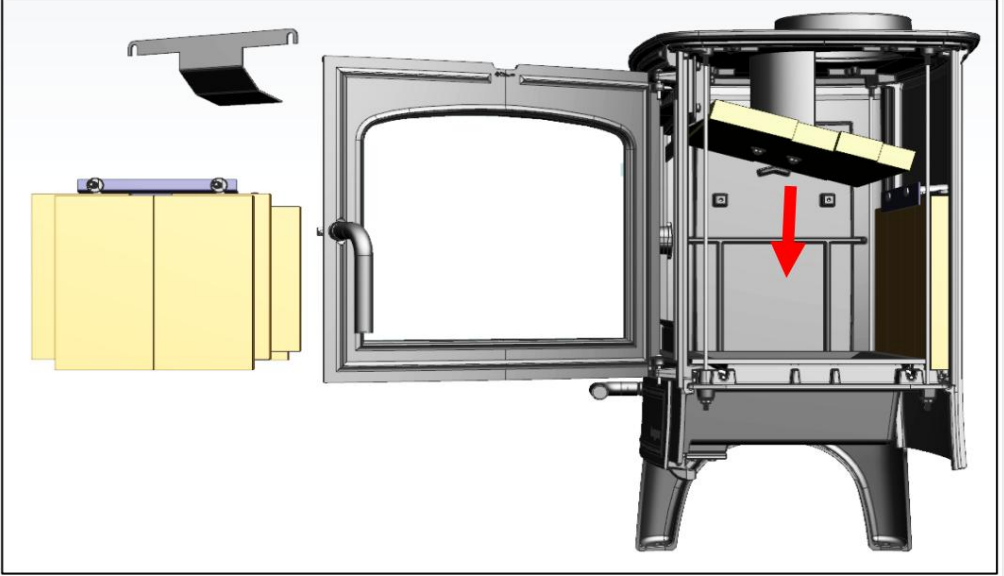
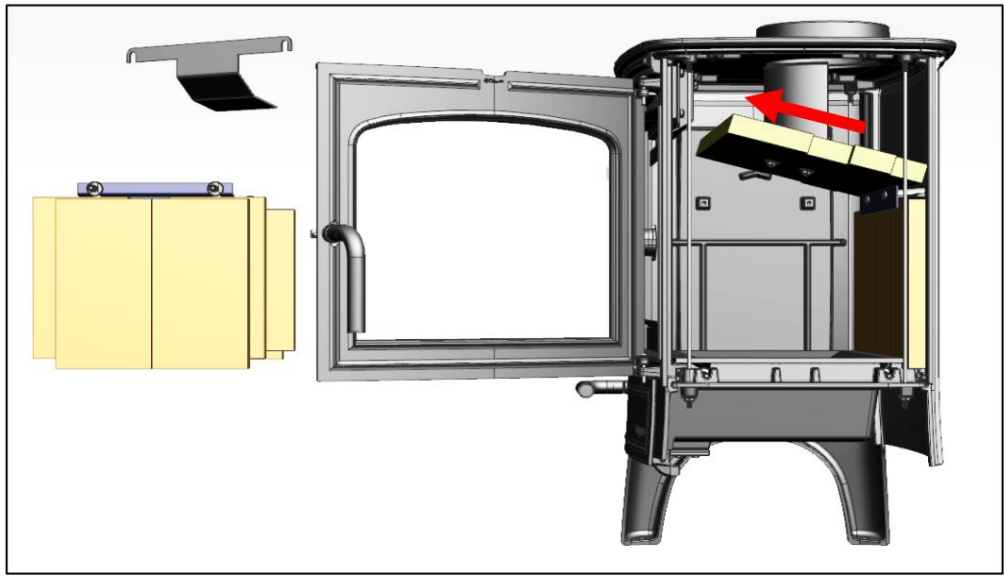
**INDUSTRIAS HERGÓM, SL** declines any responsibility derived from faulty installation or incorrect use and reserves the right to modify its products without prior notice.

Liability for manufacturing defects will be subject to the discretion and verification of Hergom company technicians and will always be limited to the repair or replacement of its products, excluding works and damage that said repair could cause.

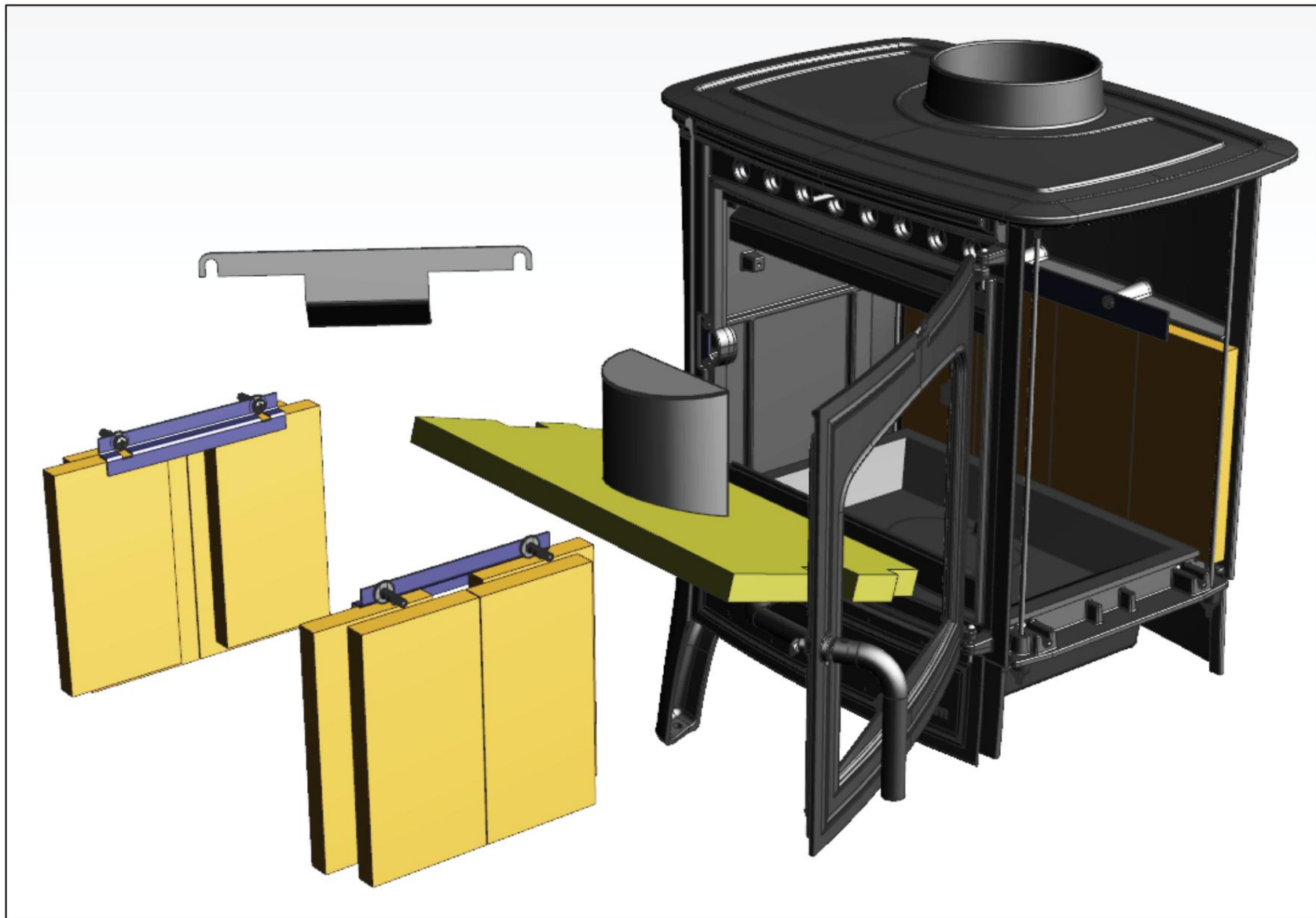
12 - MAINTENANCE / MAINTENANCE / MAINTENANCE / MAINTENANCE



### 12 - MAINTENANCE / MAINTENANCE / MAINTENANCE / MAINTENANCE



12 - MAINTENANCE / MAINTENANCE / MAINTENANCE / MAINTENANCE







# hergom

**HERGOM INDUSTRIES SA**

SOTO DE LA MARINA - Cantabria

PO Box, 208 39080

Santander (SPAIN)

Tel: (942) 587000\*

Fax: (942) 587001

Web: <http://www.hergom.com>

Email: [hergom@hergom.com](mailto:hergom@hergom.com)

C07100AB366

revision 6

Edition date: 08/2022