



Fire Your Imagination

16" Electric Logic2

with Arts, Wave, Chartwell & Progress fronts



Instructions for Use, Installation & Servicing

For use in GB & IE (Great Britain & Republic of Ireland).



IMPORTANT

THE OUTER CASING, FRONT AND GLASS PANEL BECOME EXTREMELY HOT DURING OPERATION AND WILL RESULT IN SERIOUS INJURY AND BURNS IF TOUCHED. IT IS THEREFORE RECOMMENDED THAT A FIREGUARD COMPLYING WITH BS 8423 (LATEST EDITION) IS USED IN THE PRESENCE OF YOUNG CHILDREN, THE ELDERLY OR INFIRM.

For use with 230V 50Hz electricity supply only.

Please read these instructions carefully before installation and keep them in a safe place.

They will be needed when maintenance or servicing is required.

THIS APPLIANCE MUST BE EARTHED

Contents

Covering the following models:

Progress Front	Iridium			
	201-103			
Box Profil	Black	Brass	Polished Steel Effect	Brushed Steel Effect
	201-142	201-218	201-259	201-297

Box Profil can then be fitted as the following decorative combinations:

		Box Profil Frame Only			
		Black	Brass	Polished Steel Effect	Brushed Steel Effect
Arts Front	Black	201-005	-	201-148	201-222
	Brass Effect	201-038	201-132	-	-
	Polished Effect	201-081	-	201-173	201-236
	Highlight Polished Effect	201-099	-	201-197	201-401
Wave Front	Black	201-416	-	201-717	201-757
	Brass Effect	201-504	201-688	-	-
	Polished Effect	201-360	-	201-591	201-269
	Highlight Polished Effect	201-384	-	201-828	201-323
Chartwell Front	Black	201-742	-	201-511	201-293
	Brass Effect	201-708	201-554	-	-
	Polished Effect	201-655	-	201-392	201-024
	Highlight Polished Effect	201-626	-	201-314	201-070

User Instructions.....3

1. Important Information & Health and Safety..... 3
2. Operating Instructions..... 3
3. Removal of Fuel Effect..... 8
4. Removal of Front..... 8
5. Maintenance..... 8
6. Replacing the Fuel Effect..... 9

Installation Instructions.....10

- Technical Specifications 10
Appliance Dimensions..... 11

Installation.....12

1. General..... 12
2. Fitting the Appliance..... 12

Servicing14

1. Fault Finding..... 14
2. How to Wire a Plug 14
3. Servicing Requirements..... 15
4. Removal of the Fuel Bed 15
5. Replacing the Fuel Bed LED Board 15
6. Removal of the Screens..... 16
7. Replacing the Flame Effect LED Board 17
8. Replacing the Effects Spindle 17
9. Replacing the Effects Motor 18
10. Replacing the Printed Circuit Board..... 18

11. Power Supply 18
12. Pairing the Remote Control to the Appliance..... 18
13. Resetting the remote..... 19

Wiring Diagram.....19

Spare Parts List.....20




To receive your Extended Warranty your Gazco appliance must have been purchased from our Expert Retailer Network and registered within one month of purchase or installation. Please note that all warranties are effective from the date of purchase. Any Gazco product purchased outside of our Extended Retailer Network, or not registered within the stated time will carry a standard 12 month warranty.

Full terms and conditions are detailed in the Warranty Statement on the Gazco website www.gazco.com. In the event of any conflict of information the wording on the website shall prevail.

Important Note: Should any problems be experienced with your product, claims must first be submitted to the Expert Retailer where the appliance was purchased from who will offer immediate assistance or contact Gazco on your behalf.

User Instructions

1. Important Information and Health and Safety

- 1.1 **Read all of the instructions carefully before using the appliance.**
- 1.2 **Remove all packaging and dispose of at an appropriate recycling facility.**
- 1.3 **Do not locate this appliance immediately below a fixed socket outlet.**
- 1.4 Parts of the outer casing of this appliance are considered by the manufacturer to be a working surface which becomes hot when the heater is switched on. You must use a suitable fire guard to protect children, the elderly and the infirm.
- 1.5 Do not use this appliance in the immediate surroundings of a **bath, shower, swimming pool or any other area where the appliance could come into contact with water or humidity, e.g. a bathroom.**
- 1.6  **WARNING! DO NOT COVER**
Do not allow the appliance to be covered or let the air inlet/outlet become obstructed as the appliance may overheat. Please note the warning symbol on the appliance (see above).
- 1.7 **For indoor use only.** This appliance is not suitable for use outside the house.
- 1.8 Keep the power cord away from hot surfaces and hot conditions. Do not route the power lead in front of the appliance.
- 1.9 This appliance must stand on a clean, level, firm surface. Do not stand the fire on a carpet. Ensure that furniture, curtains etc. are positioned no closer than 1m and the fire stands on a surface that can withstand temperatures of 90°C for prolonged periods. Do not allow rugs to be placed within 300mm of the front of the appliance.
- 1.10 When the fire has been installed, the position of the plug must be accessible.
- 1.11 Where the electricity supply cable has to pass through a fire place, stone surround etc. ensure suitable rubber bushes are fitted at possible wear points.
- 1.12 If installed in an open fireplace, blank off the chimney to reduce the risk of a back draught which can cause the safety cut-out to operate.
- 1.13 If the electricity supply cable is damaged do not use the appliance until it has been replaced. For safety reasons the replacement has to be carried out by a Gazco service agent or a similarly competent electrician.
- 1.14 **CAUTION:** In order to avoid a hazard due to inadvertent resetting of the thermal cut-out, this appliance must not be supplied through an external switching device, such as a timer, or connected to a circuit that is regularly switched on and off by the utility.
- 1.15 Do not operate the appliance if it is damaged.

- 1.16 Repairs of electrical appliances must only be performed by an electrical engineer. Should the appliance fail to operate, or in case of any damage, please contact the retailer from whom the appliance was purchased.
- 1.17 This appliance can be used by children aged from 8 years and above and persons with reduced physical, sensory or mental capabilities or lack of experience and knowledge if they have been given supervision or instruction concerning use of the appliance in a safe way and understand the hazards involved. Children of less than 3 years should be kept away unless continuously supervised.

Children aged from 3 years and less than 8 years shall only switch on/off the appliance provided that it has been placed or installed in its intended normal operating position and they have been given supervision or instruction concerning use of the appliance in a safe way and understand the hazards involved. Children aged from 3 years and less than 8 years shall not plug in, regulate and clean the appliance or perform maintenance.

However Gazco recommend:

This appliance is not intended to be used by persons under the age of 12, persons with reduced physical, sensory or mental capabilities or persons with lack of experience and knowledge in the safe operation of the appliance.

The appliance may be operated by persons above the age of 12 provided they have been instructed in the safe use of the appliance and that they understand the hazards involved. Persons above the age of 12 may also operate the appliance under the supervision of a responsible adult.

Parts of this appliance become hot whilst in operation and under no circumstances should persons under the age of 12 be left alone with the product when it is in operation unless a suitable fireguard is used to protect them against the possibility of coming into direct contact with the appliance.

Children shall not play with the appliance.

Cleaning and user maintenance shall not be made by children without supervision..

2. Operating Instructions



WARNING! Do not operate the appliance if it is damaged or has malfunctioned. If you suspect the appliance is damaged or has malfunctioned call a qualified service engineer to inspect the appliance, and replace any part of the electrical system if necessary, before reuse.

Do not disconnect the power at the mains supply whilst the appliance is running. Use the functions on the remote to turn the fire off and ensure the mains switch has been moved to the off position before disconnecting.

GENERAL

- 2.1 The appliance can be operated by the radio frequency handset or the manual controls which are on the right hand side of the viewing window.

User Instructions

i **NOTE:** To use both remote and manual functions the manual on/off switch must be in 'ON' position. In order to prevent the product becoming too hot, there is a 10s delay when turning on the heater and a 10s delay when turning off the heater fan.

The manual button controls basic functions, not a full range of controls. Use the remote hand set to carry out all functions.

PREPARATION BEFORE USE

Batteries:

- 2.2 Ensure that the handset batteries are new and inserted correctly.
- 2.3 Dispose of old batteries at an appropriate recycling facility.

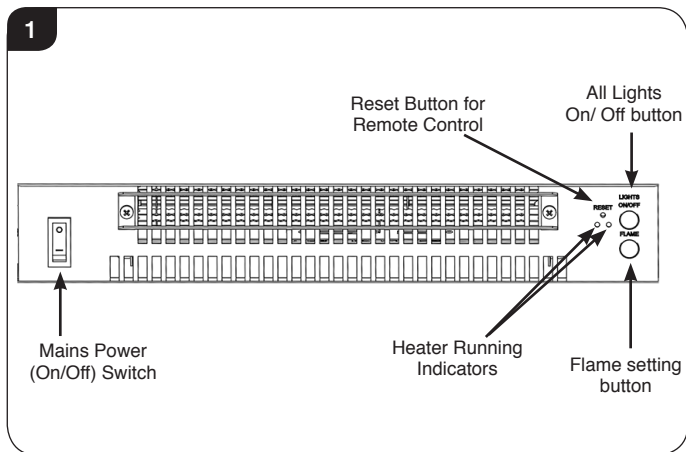
LOCATION OF POWER SWITCH

- 2.4 The mains power switch is located on the control panel located on the right-hand side of the viewing window, see Section 2a.
- 2.5 Switch ON (—) before operating either the remote or manual controls.
- 2.6 A long beep is heard to indicate the fire is ready for use.

2a. Manual Control Panel

- 2a.1 The manual controls on appliance are located at the upper right of appliance.
- 2a.2 Turning on the appliance with the main power switch on '—' position. A long beep will be heard.
- 2a.3 Press "LIGHTS ON/OFF" to turn on or turn off both the flame and fuel bed at the same time.
- 2a.4 There are 3 flame colour options:

Press "FLAME" button to select the colour of flame (3 kinds of flame colour with flame) or return to the OFF position.



Note: The appliance will lose the memory for the light functions when the switch is set to the Off Position or the remote runs out of power.

Heater Running Indicators (see Diagram 1)

- 2a.5 When the fan heater is used in conjunction with the flame effect the heater running indicators will light up for 10 seconds.

The LEDs will illuminate for 10 seconds if the flame or fuel bed effect is On.

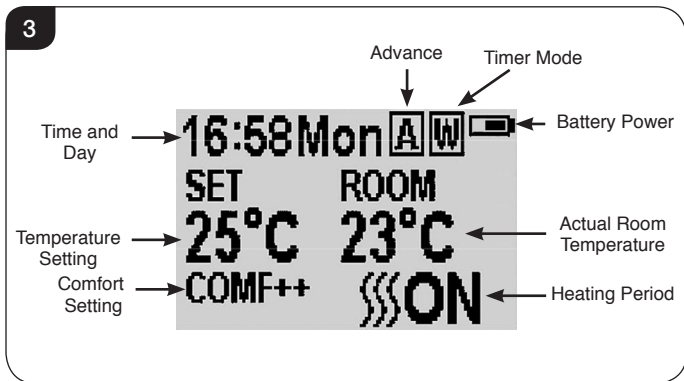
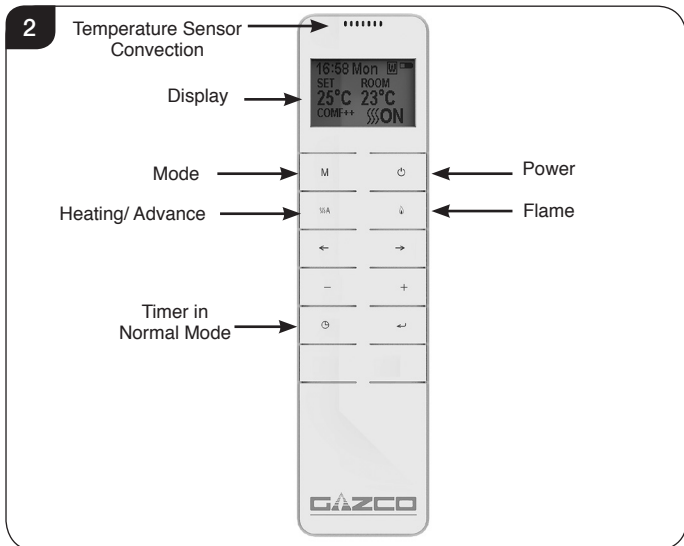
If the fan heater is used independently, the heater running indicators will stay on.

Reset Button for Remote Control

- 2a.6 If the handset loses signal or needs to be replaced then, see Section 12 in Servicing Section for details.

2b. Remote Controls

The remote control should be left on a flat surface in the room where the appliance is installed and away from any direct flow of hot air.






Signal Code

- 2b.1 The remote control works by radio signal. The handheld transmitter is configured in the factory with a unique signal code.

IMPORTANT: If the handset loses signal or needs to be replaced, see Section 12 in Servicing Section for details.

User Instructions

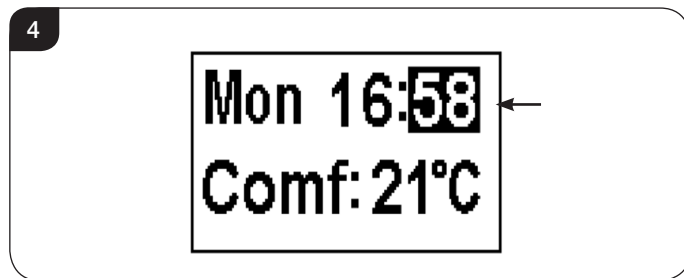
Turn on/off


- 2b.2 Press  button to turn on the flame effect.
- 2b.3 Press  button to turn off all the functions under the normal heating control mode including flame effect and fan heater.
- 2b.4 Press  button to turn off the flame effect under daily and week timer heating mode.

Week Days/ Time/ Comfort Temperature and Unit Setting

On activation it is recommended that the clock is reset to the correct time to ensure accuracy of the appliance operation.

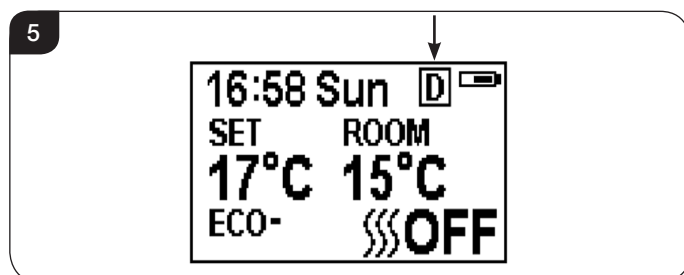
- 2b.5 Hold the **M** button for 3 seconds to enter the setting screen.
- 2b.6 Press the '←' or '→' button to choose setting to change.
- The selected character will be highlighted, see Diagram 4.




- 2b.7 Press the '+' or '-' button to adjust the number.
- Time: 24-hour system.
Select Comfort temperature from 15-25°C.
Temperature unit: °C/°F.
- 2b.8 Press the  button for 3 seconds or wait 10 seconds to save and exit the week, time and heating temperature setting.

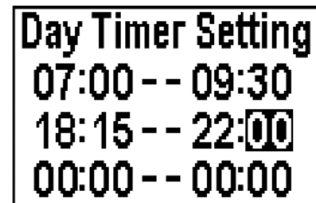
Daily Timer Heating


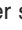
- 2b.9 The following heating periods have been preset, these can be altered if desired:
- 06:00 until 08:00
17:00 until 22:00
- 2b.10 Press **M** until **D** shows at the upper right corner of the screen to enter the daily timer heating mode.



- 2b.11 Hold the  button for 6 seconds to enter the daily heating setting.
A maximum of 3 timed heating periods can be set per day.
- 2b.12 Press '←' or '→' to choose hour or minute.
- 2b.13 Press '+' or '-' to set the number.
The minute increment / decrement by 15min per press.

6



- 2b.14 Hold the  button for 3 seconds or wait for 10 seconds to save and exit the heating time period setting.
- 2b.15 Check the timer setting. Press  to check the daily timer mode.
- 2b.16 If the heating needs to be turned off, it will be necessary to go back to the Normal Control Mode to it turn off.

When in Daily Timer Mode switching the appliance off with the remote will stop the light output. The heat output will continue according to the timer settings.

Adjusting the Set Temperature

- 2b.17 Press the '+' or '-' button to increase or decrease the temperature on the basis of COMF temperature.

COMF means the actual temperature is the same as setting.

ECO means the actual temperature is 2°C lower than the setting temperature.

ECO- means 4°C lower, COMF+ means 2°C higher.

COMF++ means 4°C higher.

Adaptive start control

According to room temperature and set-pointed temperature, the heater will automatically determine the appropriate time to heat to ensure that it will reach the set-pointed temperature in the set time (up to 45 minutes prior to the set time).

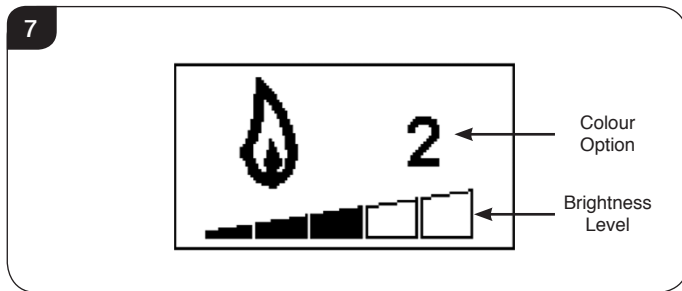
User Instructions

Flame Colour Adjustment

2b.18 Press  button to enter the flame adjustment screen.

There are 3 flame colour options, indicated by the number shown in Diagram 7.

There are 6 levels of brightness, including off. This is indicated by the bar, with the blank bar indicating off, see Diagram 7.



2b.19 Press the '←' or '→' button to cycle through the flame colour options.

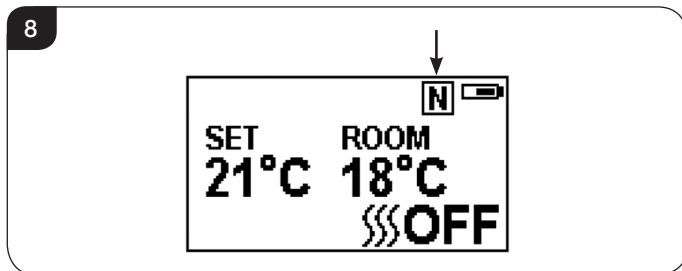
2b.20 Press the '+' button to increase the flame brightness.

Press the '-' button to decrease the flame brightness until off.




Normal Control Mode

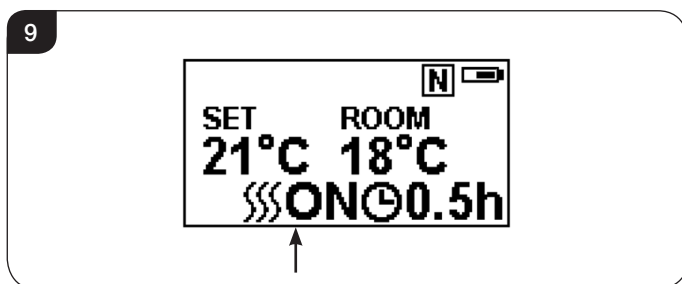
2b.21 Normal Control Mode is the default setting.

Alternatively press **M** button until the **N** logo is shown at the upper right corner of the screen, see Diagram 8.



2b.22 Press the '+' or '-' button to adjust the setting temperature from 17 °C to 25°C.

2b.23 Press  **A** button to turn the heat on/off,  ON or  OFF will show at the lower right corner of the screen, see Diagram 9.




Note: It is normal for the fan heater to stop running for periods of time. This happens if the room temperature is higher than the temperature set on the control.

The heater indicator will be turned off after 10s if the flame is switched ON. The heater indicator will stay ON if only the heating function is used.

When in Normal Control Mode switching the appliance off with the remote will stop both the light and heat output.

Count Down Timer



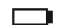
This setting is only in normal heating control mode. It allows the appliance to be returned to Standby after a set period of time. The heater must be switched on to use this function.

2b.24 Press  to cycle through the setting from Off and 0.5 hours to 9 hours. Timer logo and remaining time will show on the screen.

The heater of appliance can be automatically run by using daily timer and weekly timer on the remote.

Battery

The battery power level is indicated at the top right of the remote control screen, see Diagram 3.

	Battery Full	No action required
	Battery Half Power	Ensure new batteries are available.
	Battery Empty	Replace batteries immediately

Battery replacement is recommended after 1 year. The Remote requires two 1.5V alkaline AAA batteries.

Changing the batteries will not affect the Timer Mode settings, however, the clock may need adjusting.

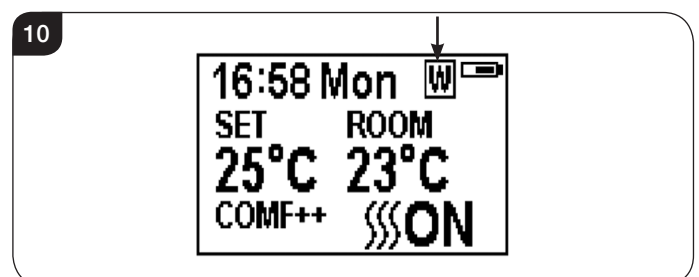
Week Timer Heating

2b.25 The following heating periods have been preset, these can be altered if desired:

From Monday to Friday
06:00 until 08:30
17:00 until 22:00

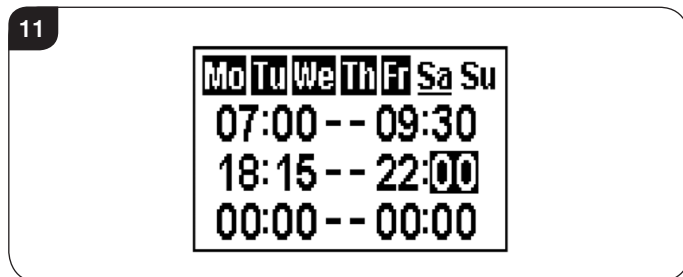
From Saturday to Sunday
06:30 until 09:30
11:00 until 13:00
17:00 until 22:00

2b.26 Press **M** until **W** shows at the upper right corner of the screen to enter the week heating mode.



User Instructions

- 2b.27 Hold the **←** button for 6 seconds to enter the week timer heating mode setting.
- 2b.28 Press '**←**' or '**→**' to move the cursor (a flashing underline).
- 2b.29 Press the **←** button in the corresponding week position to select (the character is highlighted) or cancel (the character is displayed normally) the current setting, the same time period can be selected together.



- 2b.30 Press the '**→**' button to move the cursor to the time period setting area.
- 2b.31 Press '**←**' or '**→**' button to choose hour or minute.
- 2b.32 Press '**+**' or '**-**' to set the number.
- A maximum of 3 timed heating periods can be set per day.
- Minute increment / decrement by 15min per press.
- 2b.33 Press **←** to set the heating time for the selected day and return to the week line.
- 2b.34 Hold the **←** button for 3 seconds or wait for 10 seconds to save and exit the heating time period setting.
- 2b.35 Press **←** '**←**' or '**→**' to check the timer setting for the week timer heating mode.
- 2b.36 If the heating needs to be turned off, it will be necessary to go back to the Normal Control Mode to it turn off.

When in Weekly Timer Mode switching the appliance off with the remote will stop the light output. The heat output will continue according to the timer settings.

Adjusting the Set Temperature

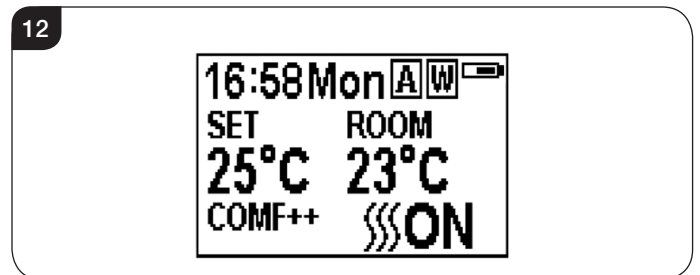
- 2b.37 Press the '**+**' or '**-**' button to increase or decrease the temperature on the basis of COMF temperature.
- COMF means the actual temperature is the same as setting.
- ECO means the actual temperature is 2°C lower than the setting temperature.
- ECO- means 4°C lower.
- COMF+ means 2°C higher.
- COMF++ means 4°C higher.

Adaptive start control

According to room temperature and set-pointed temperature, the heater will automatically determine the appropriate time to heat to ensure that it will reach the set-pointed temperature in the set time (up to 45 minutes prior to the set time).

Advance mode

- 2b.38 The heating state can be advanced to the next period is under both the daily and week timer heating mode.



If the heater is on in the current period, pressing the button will turn the heater off.

If the heater is off in the current period, pressing the button will turn the heater on.

Whether the actual heating will be on/off also depends on the room temperature and setting temperature.

- 2b.39 Press **ON** to enter the Advance mode under the daily and week timer heating mode, **A** will show at the upper right corner of the screen.
- 2b.40 Press **ON** again or timer period ends will exit the Advance mode.

Window open detecting

- 2b.41 When the transmitter detects a rapid drop in room temperature, it will be judged as an open window: the warning icon will be displayed and the heating will be turned off automatically.



- 2b.42 After indoor temperature rise or manual intervention (by operating remote control), it will return to normal working state.

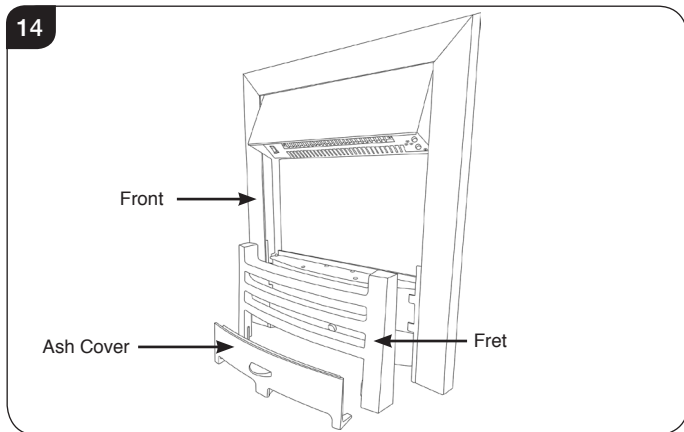
User Instructions

3. Removal of Fuel Effect

- 3.1 Ensure the appliance is unplugged and cold before handling any fuel effects.
- 3.2 Once cool, the fuel effects can be lifted from the fuel bed.
- 3.3 Clean any build-up of dust with a brush or damp cloth.

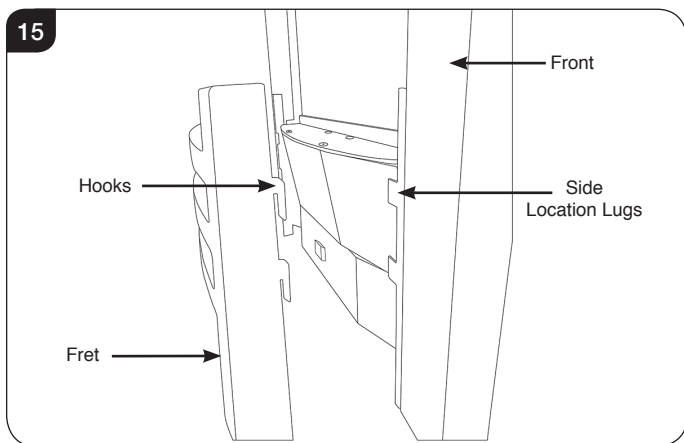
4. Removal of Front

- 4.1 The front comes in three pieces, see Diagram 14.

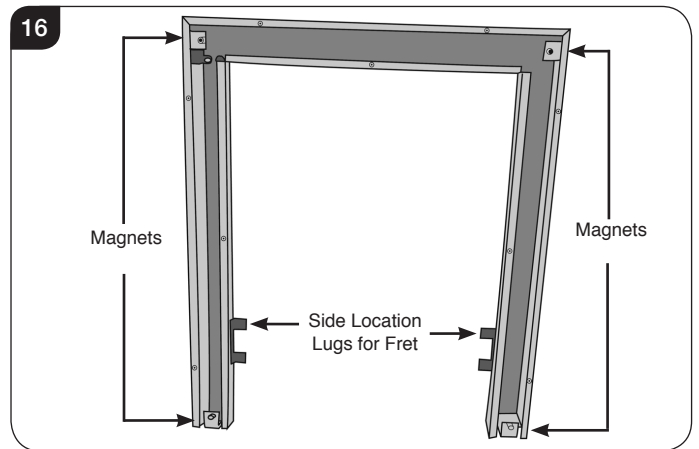


Pull to remove the Ash Cover and place carefully to one side.

Lift the fret off the side location lugs to detach the Fret from the frame, see Diagram 15.



The outer front is secured at the back by magnets and can now be easily removed, see Diagram 16.



Fitting the front is the reverse of this procedure.

5. Maintenance

- 5.1 **ALWAYS UNPLUG FROM MAINS SUPPLY BEFORE CLEANING OR UNDERTAKING ANY MAINTENANCE.**

CLEANING

- 5.2 Only clean the outer casing when it is cold. Do not use abrasive cleaners.
- 5.3 For painted castings, wipe with a damp cloth and buff with a lint free duster.
Caution: Do not use abrasive cleaners on the glass panel. Do not spray liquids directly onto any surface of the unit.

CLEANING AIR INLETS

- 5.4 Ensure the appliance is unplugged.
- 5.5 Clean the air inlet and outlet grilles regularly with a soft cloth or the nozzle of a vacuum cleaner.

Dust build-up can inhibit efficient performance of the fan and lead to the safety cut-out operating.

- 5.6 Keep the area around the appliance clean and free of fluff, dust or pet hair.
- 5.7 In particular, build-up of dust etc. can occur around the heater area under the appliance. Take particular care to keep this area free from such particles on a regular basis to prevent build-up.

CLEANING FUEL EFFECT

- 5.8 Ensure the appliance is unplugged and cold before handling log moulding.
- 5.9 Clean any build-up of dust with a brush or damp cloth.

User Instructions

6. Replacing Fuel Effect

6.1 The Logic Electric comes with four different fuel effect options:

1. White Stone only.
2. Grey Stone only.
3. White and Clear Stone.
4. Logs with a layer of stone.



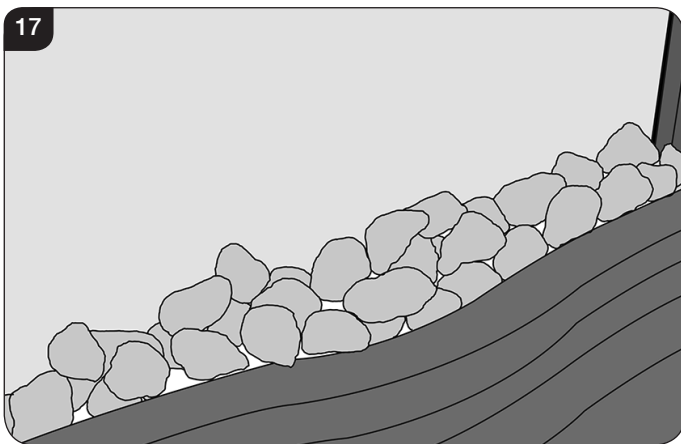
NOTE: Ensure the appliance is unplugged and cold before handling fuel effects.

To replace the fuel effects:

6.2 Carefully remove the current fuel effect, and place in a suitable container.

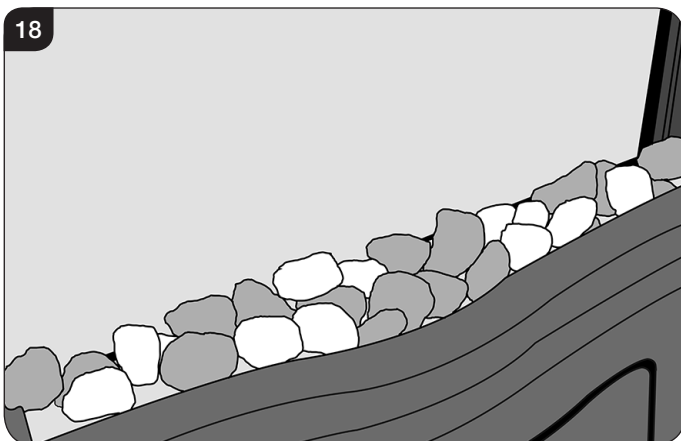
Stone Effects only

6.3 Spread the stones evenly over the fuel bed, taking care not to obscure the flame picture, see Diagram 17.



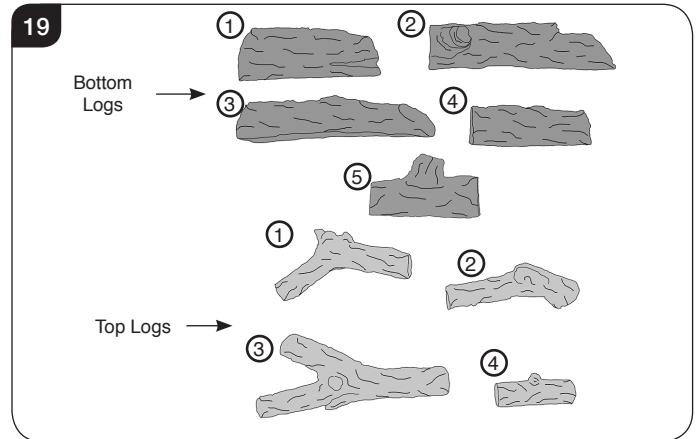
Stone / Clear Effects

6.4 Spread the white stones evenly over the fuel bed and place the clear resin stones randomly throughout, taking care not to obscure the flame picture, see Diagram 18.



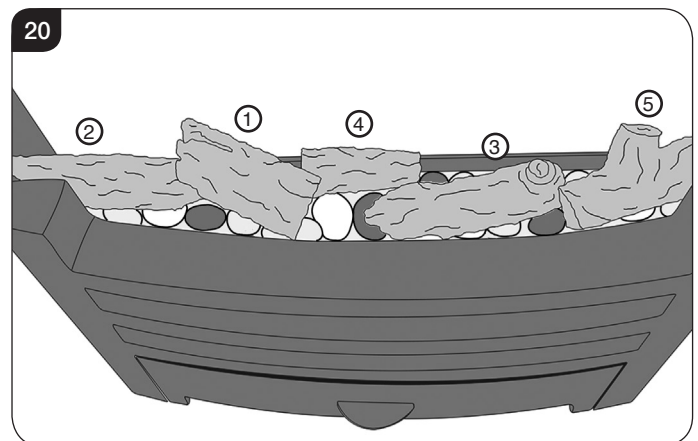
Log Effect

6.5 The log set comes with 9 logs in total, 5 bottom logs and 4 top logs.

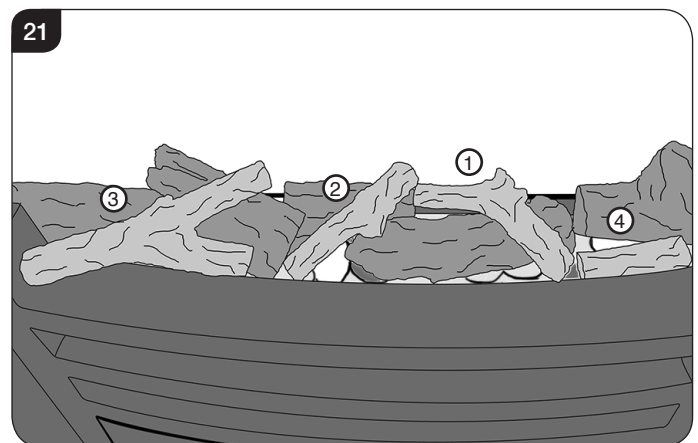


6.6 First cover the bed with a thin layer of coloured and clear stone to randomly create a base for the log effect.

6.7 Position the bottom logs on the fuel bed as set out below, see Diagram 20.



6.8 Finish by positioning the top logs, see Diagram 21.



Installation Instructions

Technical Specification

Progress Front	Iridium			
	201-103			
Box Profil	Black	Brass	Polished Steel Effect	Brushed Steel Effect
	201-142	201-218	201-259	201-297

Box Profil can then be fitted as following decorative combinations:

		Box Profil Frame Only			
		Black	Brass	Polished Steel Effect	Brushed Steel Effect
Arts Front	Black	201-005	-	201-148	201-222
	Brass Effect	201-038	201-132	-	-
	Polished Effect	201-081	-	201-173	201-236
	Highlight Polished Effect	201-099	-	201-197	201-401
Wave Front	Black	201-416	-	201-717	201-757
	Brass Effect	201-504	201-688	-	-
	Polished Effect	201-360	-	201-591	201-269
	Highlight Polished Effect	201-384	-	201-828	201-323
Chartwell Front	Black	201-742	-	201-511	201-293
	Brass Effect	201-708	201-554	-	-
	Polished Effect	201-655	-	201-392	201-024
	Highlight Polished Effect	201-626	-	201-314	201-070

A 230V 13Amp 50Hz supply is required.
Maximum power consumption is 2000 Watts.

THIS APPLIANCE MUST BE EARTHED

A 1.8 metre lead with plug containing a BS1362 13 Amp fuse is supplied. Only use a BS1362 13 Amp fuse with this appliance.

Remote control handset batteries (2 x AAA).

This appliance has been certified for use in countries other than those stated. To install this appliance in these countries, it is essential to obtain the translated instructions and in some cases the appliance will require modification. Contact Gazco for further information.

PACKING CHECKLIST

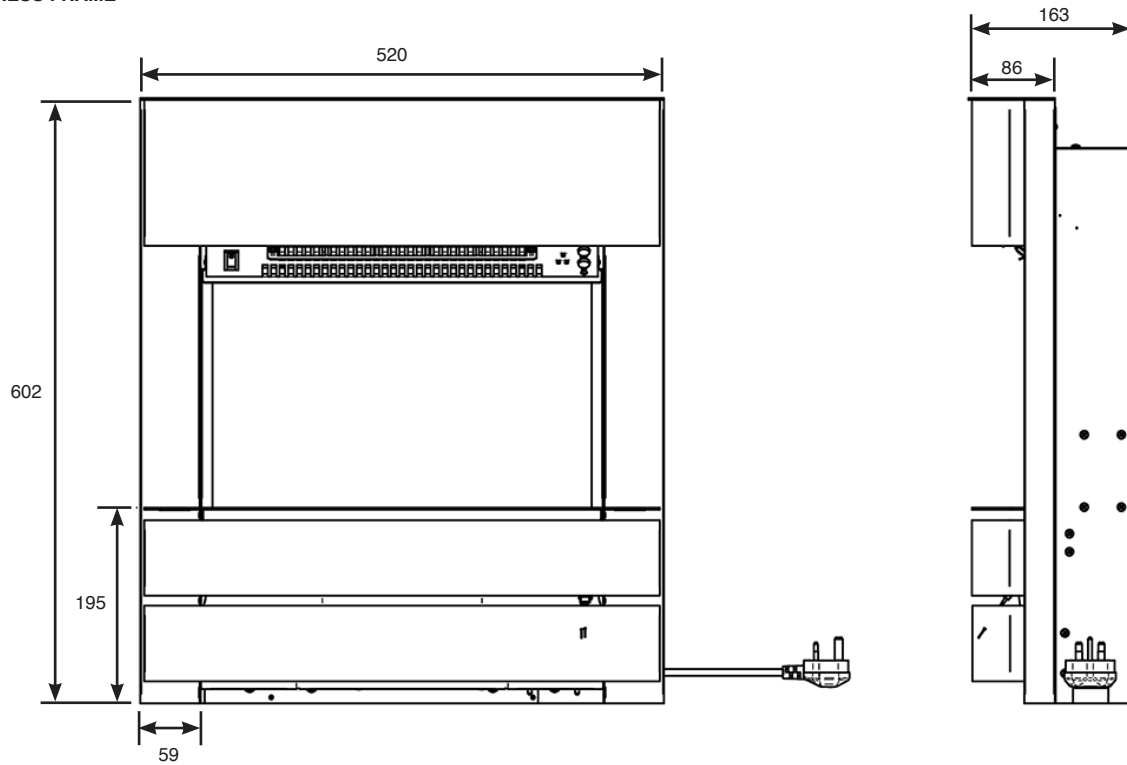
Qty Description	Fixing Kit containing:
1 x Logic Electric	1 x Instruction manual
1 x Carton Containing:	4 x Wall screws
1 x Fret	4 x Wall plugs
1 x Ashcover	1 x Handset
(Arts/ Wave / Chartwell)	3 x Fuel Effects
	2 x AAA Batteries

Control System Technical Data - All Models			
	Main Control Board	Remote Receiver Board	Remote Control
Hardware	RC01-040A04 V2	RF290B V1.2	RF290A-TX V1.3
Software	RC01-040A04 V2	-	RF290C V06.0.HEX
Frequency	-	-	ASK/OOK 433.92MHz
Maximum Transmit Power	-	-	10mW

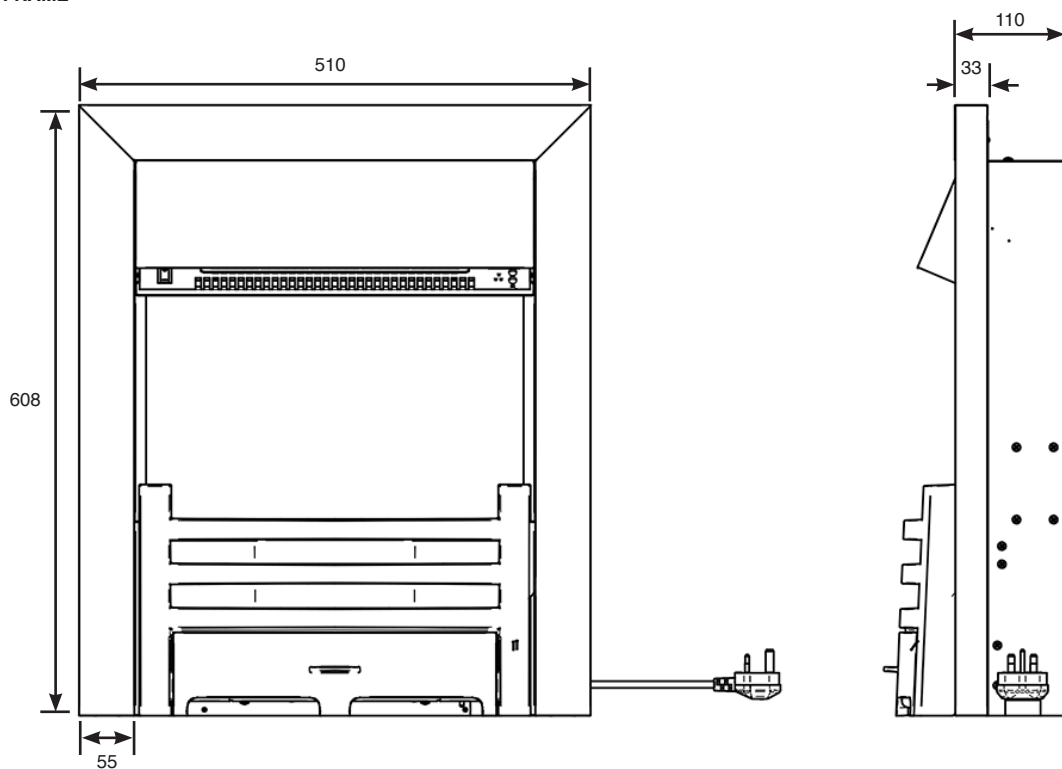
Installation Instructions

Technical Specification

PROGRESS FRAME



BOX PROFIL FRAME



Installation Instructions

1. General

1.1 TOOLS REQUIRED

A Screw Driver will be needed.

1.2 UNPACKING THE FIREPLACE

WARNING! DO NOT use this appliance if any part has been under water.

Immediately call a qualified service technician to inspect and to replace any part of the electrical system if necessary.

- 1.3 Open the packaging carefully and remove the polystyrene. Remove and discard the plastic bag. Keep plastic bags away from children. Be responsible when handling the packing materials.

- 1.4 Check all parts and accessories are removed before disposing of any packaging. If necessary keep the original packaging for future transport and/or storage.

2. Fitting the Appliance

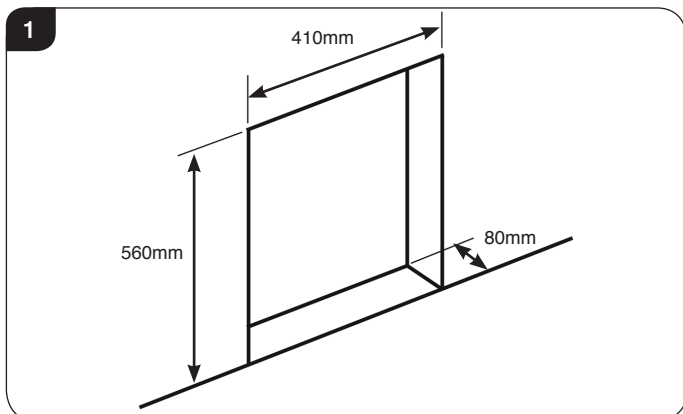
2.1 Locating The Logic Electric

Your new Logic Electric may be installed virtually anywhere in your home. However, when choosing a location ensure that these general instructions are followed.

- 2.2 For best results, install out of direct sunlight.
- 2.3 If the power cord is damaged, it must be repaired by the manufacturer, its authorized service centre or professional person.
- 2.4 The appliance should be located close to a suitable mains socket to enable connection. The electrical socket must be easily accessible to allow disconnection when the appliance is fitted.

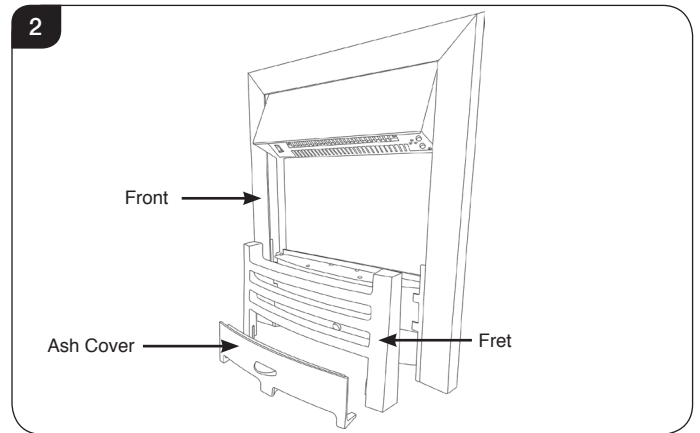
WARNING! KEEP ANY COMBUSTIBLE MATERIALS AT LEAST 1M FROM THE FRONT AND SIDES OF THE APPLIANCE.

- 2.5 To install the appliance into a wall opening the space must conform to the following dimensions, see Diagram 1.



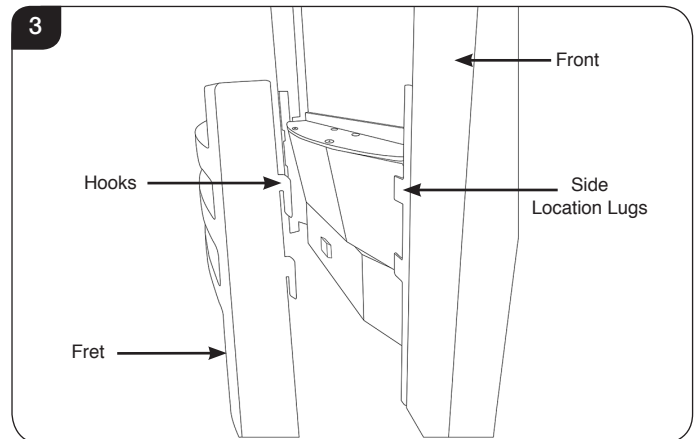
- 2.6 Remove the front:

The front comes in three pieces, see Diagram 2.

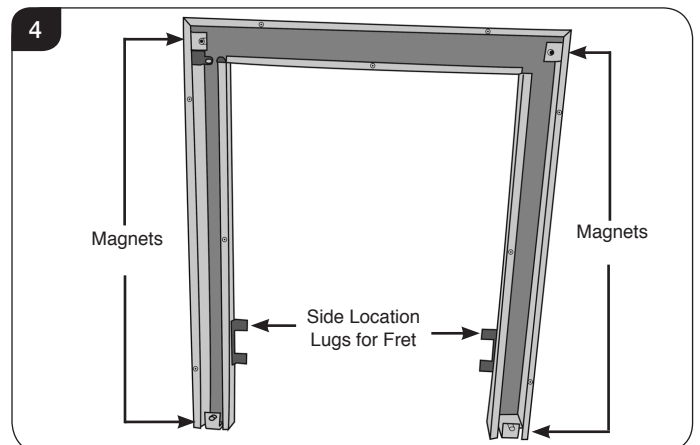


Pull to remove the Ash Cover and place carefully to one side.

Lift the fret off the side location lugs to detach the Fret from the frame, see Diagram 3.



The outer front is secured at the back by magnets and can now be easily removed, see Diagram 4.



Installation Instructions

- 2.7 Offer the appliance into the opening and mark the positions of the four fixing holes.

Remove the appliance and drill the four fixing holes and push the wall plugs into place.

- 2.8 Insert the appliance into the opening and secure in place using the four wall screws.

- 2.9 Replace the front. This process is the reverse of the instructions in section 2.6.

Servicing Instructions

1. Fault Finding

No illumination or uneven lighting:

- 1.1 First change the BS1362 13A fuse for one known to work. If the appliance still does not work, check the socket by plugging in a working appliance. If this too fails to operate, call in a competent electrician to check the socket.
- 1.2 One or more of the LED boards will need replacing. This must be undertaken by a suitably qualified person (see *Servicing Requirements*).

Illumination but no heat:

- 1.3 The safety cut-out has operated to protect against overheating (see *User Instructions, Section 2*). Ensure the air inlet and outlet grilles are free of dust or any other obstruction.
- 1.4 The thermostat control may be set too low. Increase the setting by pressing the thermostat button on the remote control until the heater turns on.

Remote control fails to work:

- 1.5 Check that the batteries are new and correctly fitted. Replace if necessary.

2. How to wire a plug

To change the plug supplied with this appliance, follow the instructions below. The instructions assume that the wire has been cut.

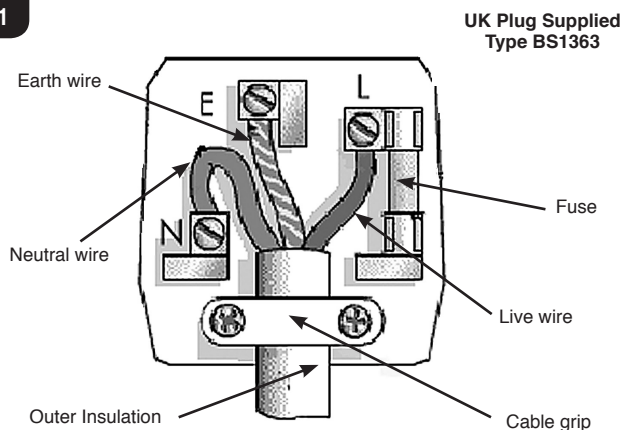


WARNING – FAILURE TO CONNECT THE WIRES CORRECTLY COULD PUT PEOPLE AT RISK FROM ELECTRIC SHOCK OR FIRE. IF IN DOUBT CONSULT A QUALIFIED ELECTRICIAN.

UK Plug

Suitable for use in Cyprus, Malta, Ireland & Great Britain.

1



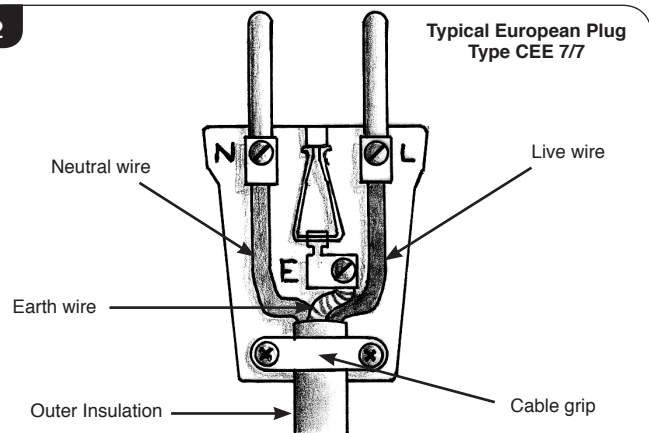
Live Wire	Brown	Terminal L / RED
Neutral Wire	Blue	Terminal N / BLACK
Earth Wire	Green & Yellow Stripes	Terminal E /  / GREEN or GREEN & YELLOW

THIS APPLIANCE MUST BE EARTHED

European Plug

Suitable for use in Austria, Belgium, Bulgaria, Czech Republic, Denmark, Estonia, Finland, France, Greece, Hungary, Germany, Italy, Latvia, Lithuania, Luxembourg, Netherlands, Poland, Portugal, Romania, Slovakia, Slovenia, Spain & Sweden.

2



- 2.1 Dispose of the old plug safely. Ensure the new plug has the relevant approval marking and is not cracked or chipped.
- 2.2 Expose 4cm of the coloured wires and trim to the correct lengths so that they comfortably reach the correct terminals.
- 2.3 Ensure that the Earth wire has more slack than any of the other wires.
- 2.4 Remove some of the insulation to leave about 6mm (screw terminals) to 12mm (winding around screw) of exposed metal core on each wire, taking care not to damage or remove the metal strands.
- 2.5 Twist the strands of the wire together.
- 2.6 Loosen the screw heads above each terminal.
- 2.7 Push the metal wire into the hole beneath each screw head or, dependent on plug design, wind the metal wire around the screw.
- 2.8 Ensure that the insulation reaches right up to each terminal as illustrated and there are no loose strands of wire.
- 2.9 Ensure the cable sits correctly under the cable grip and tighten to secure, taking care that the connecting wires inside the plug are not strained.
- 2.10 Refer to *Technical Specification* for fuse rating and fit the appropriate fuse into the plug (UK Only).
- 2.11 Attach the plug cover.

Servicing Instructions

3. Servicing Requirements

THIS APPLIANCE MUST ONLY BE SERVICED BY A SUITABLY QUALIFIED PERSON.

BEFORE UNDERTAKING ANY WORK ON THE APPLIANCE: SWITCH OFF THE APPLIANCE AND ISOLATE IT FROM THE MAINS BY UNPLUGGING THE UNIT.

- 3.1 Wait for at least 10 minutes until the appliance has cooled down.
- 3.2 **Remote Handset Battery Replacement**
Replace the batteries (2 x AAA). Make sure the batteries are installed correctly in the remote control.
- 3.3 **Maintenance of Motors**
The motors used on the fan and flame effect are pre-lubricated for extended bearing life and require no further lubrication. However, periodic cleaning/vacuuming of the fan/heater unit is recommended.
- 3.4 **Resetting the Thermal Cutout Switch**

The appliance is fitted with an Electronic Safety Control (E.S.). This is a safety device which switches off the fire if the appliance overheats for any reason e.g. when covered.

If the heater stops operating whilst the flame effect continues normally, this indicates that the E.S. Control is in operation.

The E.S. Control can only be re-set after the appliance has cooled down.

To re-set the E.S.:

Switch off the appliance (Manual On/Off switch) and leave for approximately 120 minutes.

Remove any obstruction to the fan heater outlet or other internal parts.

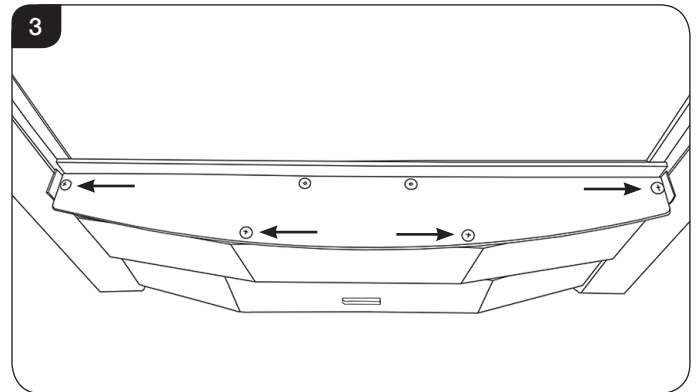
Switch on appliance and the E.S. Control will re-set. Ensure that the appliance is functioning correctly. If the E.S. Control operates again, the appliance should be checked by a competent Electrician.



NOTE: Appliance will have to be removed from any installation in order to full service.

4. Removal of the Fuel Bed

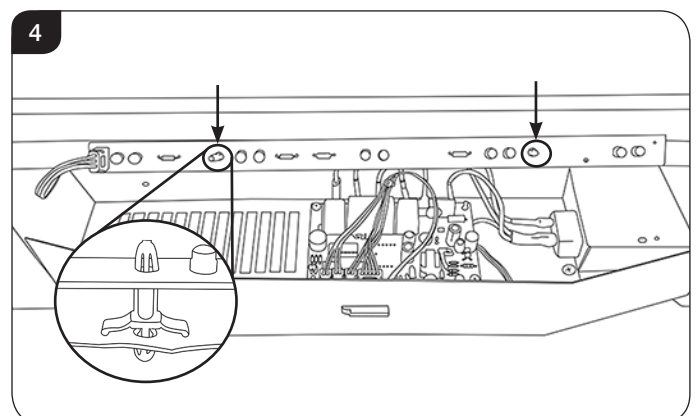
- 4.1 Remove the fret and ash panel, see User Instructions, Section 4.
- 4.2 The fuel bed is secured by 4 screws on the lower panel on the front of the appliance, see Diagram 3.



Take care not to damage the plastic screen when replacing the fuel bed.

5. Replacing the Fuel Bed LED Board

- 5.1 If an LED fails to light you will notice an uneven or unlit fuel effect.
- 5.2 To remove the Fuel Effect LED board first remove the decorative frame and the fuel effect bed.
- 5.3 Disconnect all wires from the LED board, noting their orientation.
- 5.4 The board is secured by 2 plastic push fasteners, see Diagram 4. Using pliers, gently squeeze the head of the fasteners to release the board.



Dispose of the board at an appropriate recycling centre.

- 5.5 To connect the new LED board push the fasteners through the ready drilled holes and ensure that all wires are correctly connected.

Servicing Instructions

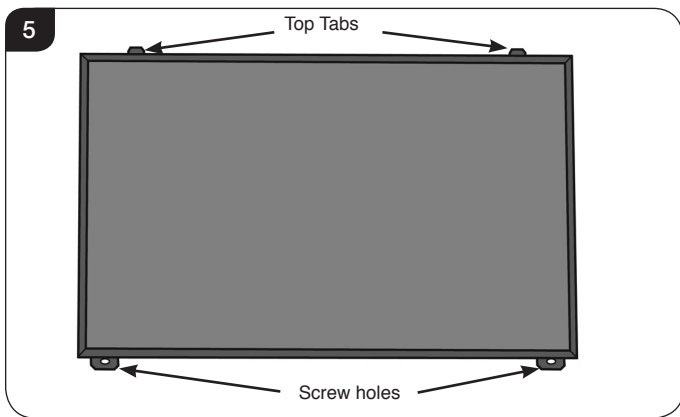
6. Removal of the Screens

For certain aspects of servicing it may be necessary to remove the screens.

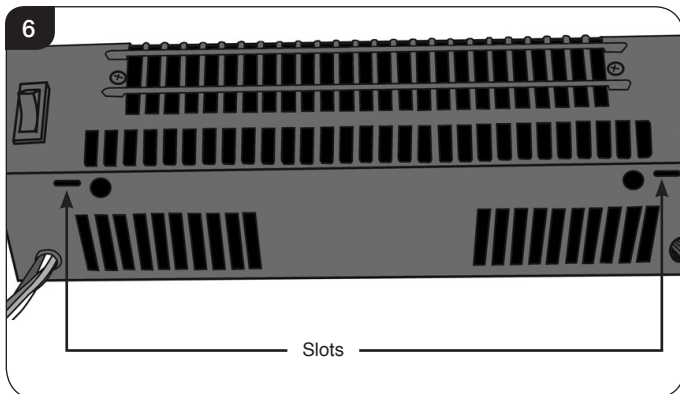
Exterior Screen

- 6.1 To remove the screens first remove the front and the fuel bed.
- 6.2 The exterior screen is secured by 2 screws just above the LED Effects boards.

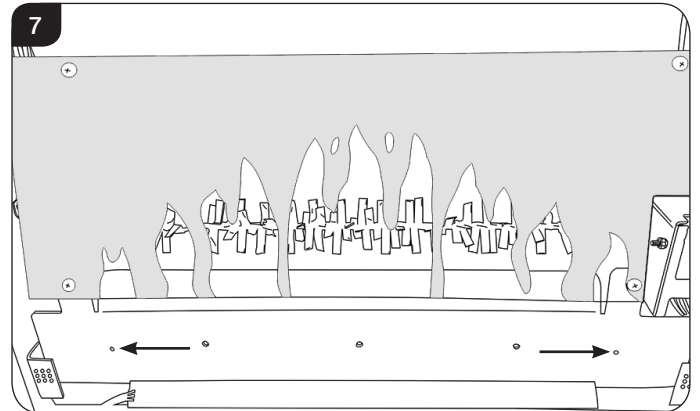
In addition to this there are 2 tabs that locate into the heater assembly, see Diagram 5.



- 6.3 The screen pulls down and out to be removed from the appliance.
Support the screen when removing the screws to prevent any damage.
- 6.4 To refit the screen locate the slots for the top tabs at the bottom of Heater assembly and insert the screen, see Diagram 6.



- 6.5 Secure the screen with the 2 screws above the LED board, see Diagram 7.



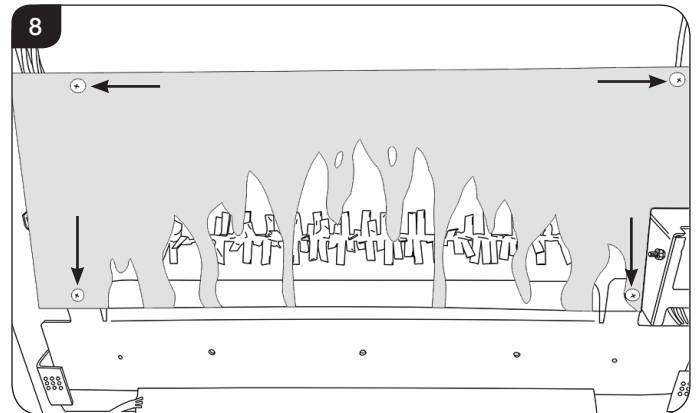
- 6.6 Reattach the fuel effect bed.

Take care not to damage the plastic screen when removing from the appliance.

Interior Screen

Ensure that the front, fuel bed and exterior screen are removed.

- 6.7 The interior screen sits behind the exterior screen and is attached with 4 screws.



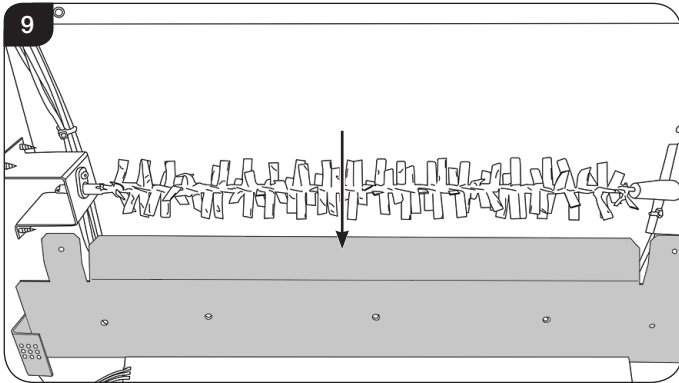
Support the screen whilst removing the screws and carefully withdraw the screen through the appliance.

- 6.8 Refit in reverse order.

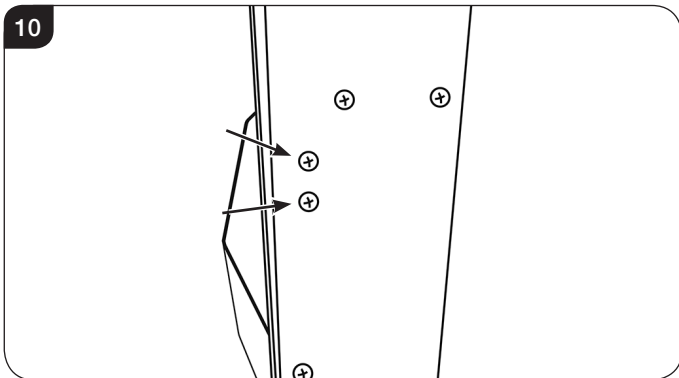
Servicing Instructions

7. Replacing the Flame Effect LED Board

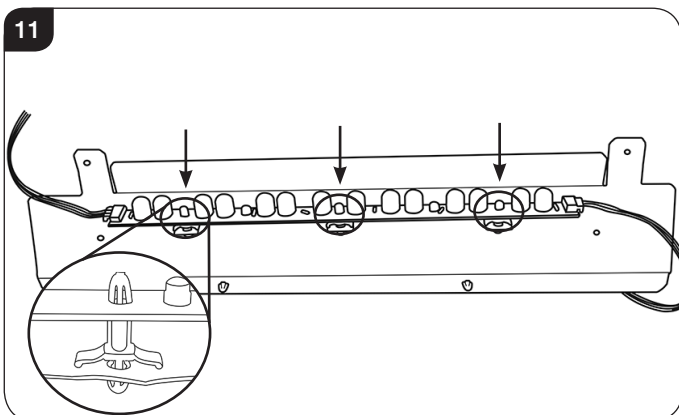
- 7.1 If an LED fails to light you will notice an uneven or unlit fuel effect.
- 7.2 To remove the Flame Effect LED board first remove the decorative frame, the fuel effect bed, and the screens.
- 7.3 The Flame Effect LED is behind the panel below the spindle, see Diagram 9.



- 7.4 To remove the panel first unscrew the 2 fastening screws on each side of the outer box, see Diagram 10.



- 7.5 Carefully remove panel to access flame effect board.
- 7.6 Disconnect all wires from the LED board, noting their orientation.
- 7.7 The board is secured by 3 plastic push fasteners, see Diagram 11. Using pliers, gently squeeze the head of the fasteners to release the board.

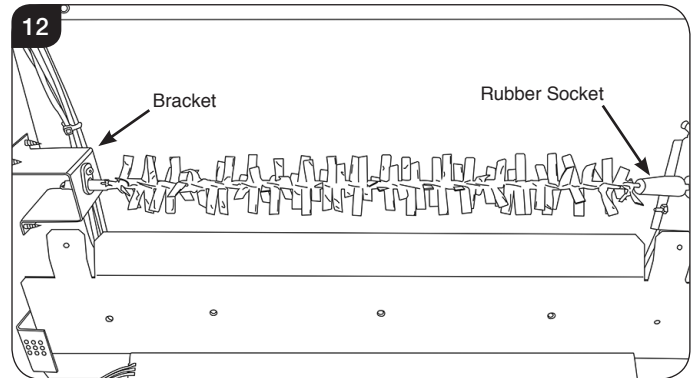


Dispose of the board at an appropriate recycling centre.

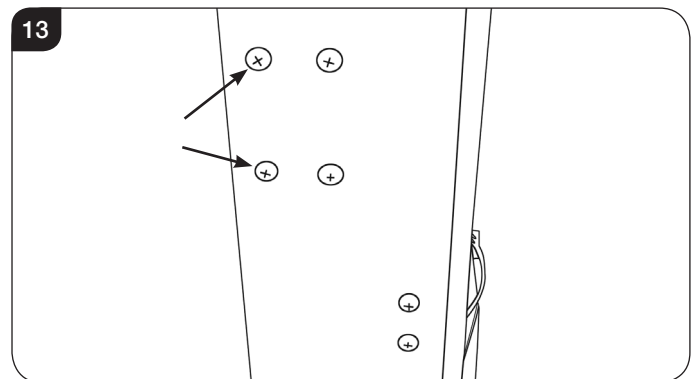
- 7.8 To connect the new LED board push the fasteners through the ready drilled holes and ensure that all wires are correctly connected.

8. Replacing the Effects Spindle

- 8.1 To replace the spindle first remove the front, fuel bed, and the screens.



- 8.2 The spindle is held in place by a bracket and a rubber socket either side of the firebox.
- 8.3 To remove the spindle, first remove the left hand bracket by unscrewing the 4 screws on the outside of the firebox, see Diagram 13.

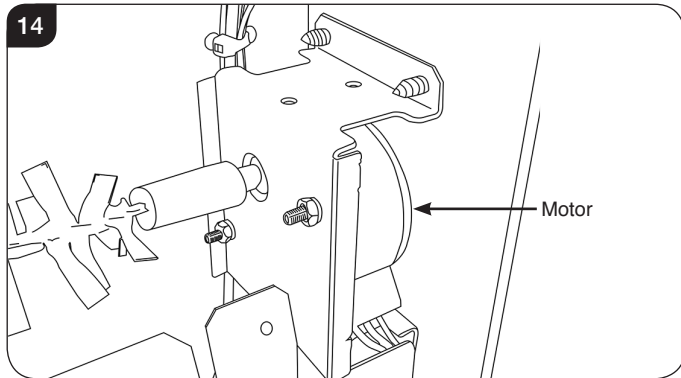


- 8.4 The spindle can be pulled away from the appliance and out of the rubber socket.
- 8.5 Refit in reverse order.

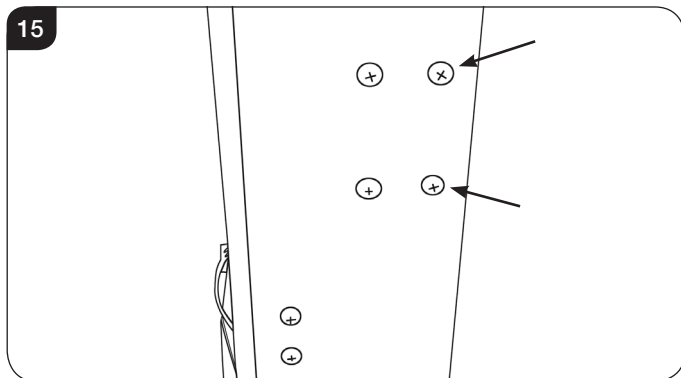
Servicing Instructions

9. Replacing the Effects Motor

- 9.1 To replace the effects motor first remove the front, fuel bed, screens and effects spindle.
- 9.2 The effects motor sits inside the right hand bracket, see Diagram 14.



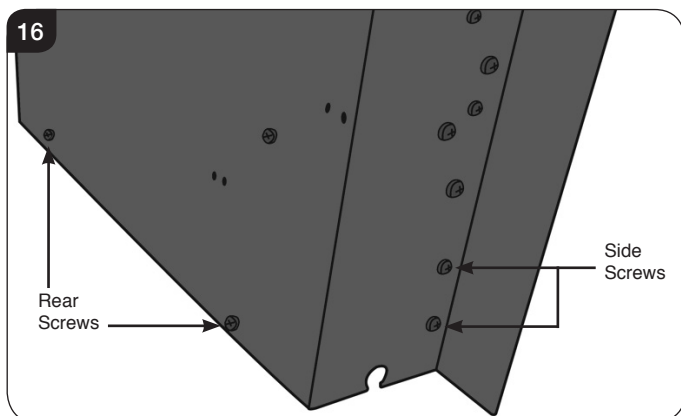
- 9.3 Remove the 4 screws on the outside of the firebox that secure the right hand bracket in place, see Diagram 15.



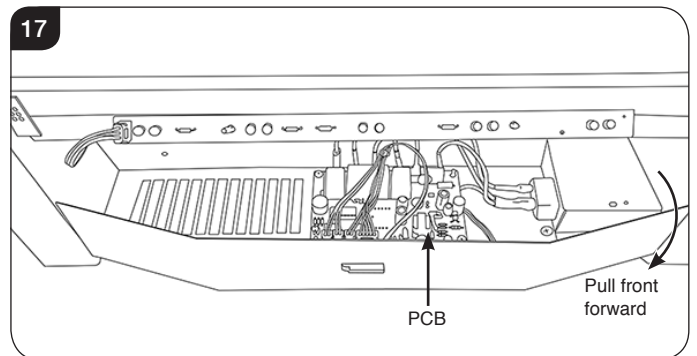
- 9.4 The motor effects unit can now be removed.
- 9.5 Refit in reverse order.

10. Replacing the Printed Circuit Board

- 10.1 To access the board you must remove the 2 screws on each side of the appliance, see Diagram 16.



- 10.2 The base can now be pulled forward allowing access to the PCB Board which is fixed to the appliance using 2 push fasteners and 2 screws.



Remove the screws and push fasteners securing the board ready to replace it.

- 10.3 Disconnect the leads from the old PCB one by one. As each wire is disconnected from the old PCB attach it to the new PCB to ensure correct orientation.
- 10.4 Fitting the new PCB board is the reverse of this procedure.

11. Power Supply

The power supply is connected to the appliance by a grommet and is non serviceable.


12. Pairing the Remote Control to the Appliance

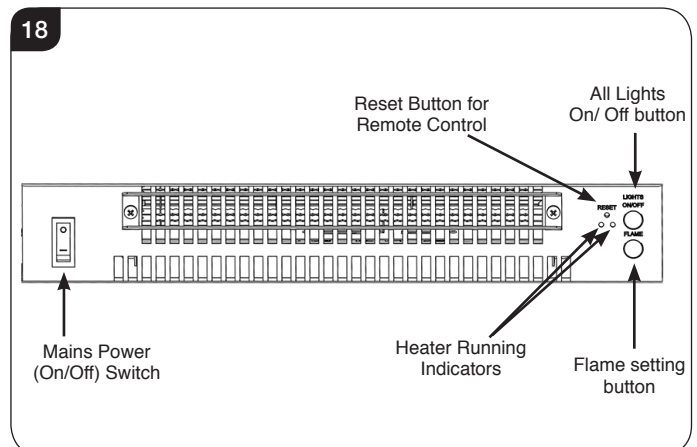
Signal Code

The below operations should be carried out before coding when changing to a new remote or the unit cannot be controlled by the remote:

The reset button is located on the control panel located on the right-hand side of the viewing window, see Diagram 30.

- 12.1 Press the reset button for 3 seconds (a pen point may be needed) until 3 short beeps sound from the unit, release the button.

Within 10 seconds, press the  button on remote. The coding is finished when 1 long beep sounds from the unit.



Servicing Instructions

Resetting of the remote control is necessary if the appliance operates wrongly due to external interference signal and the remote control is not in use.

13. Resetting the Remote

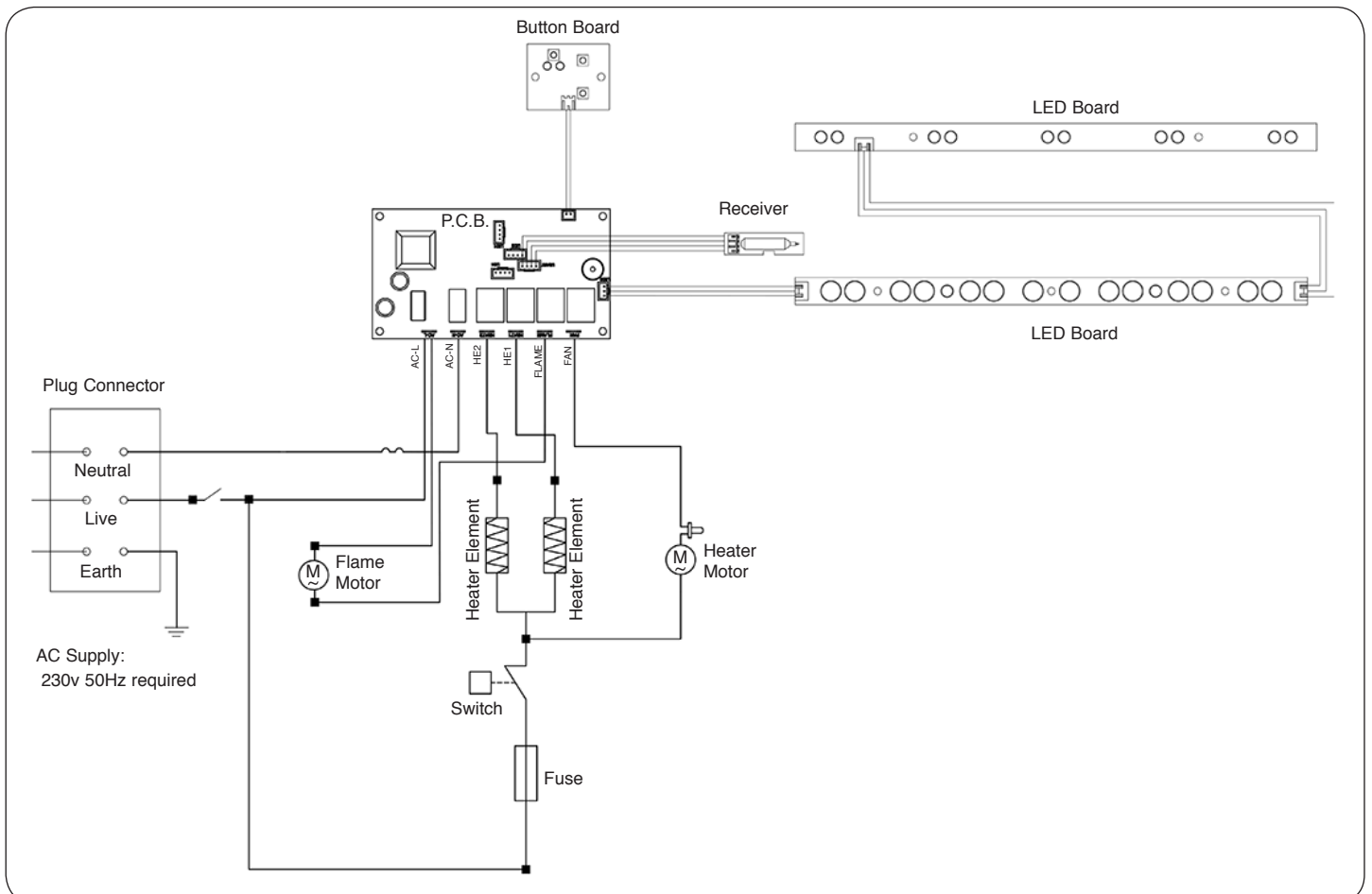
Resetting the Remote may necessary if the appliance operates incorrectly under the signal from the Remote, or if the Remote does not operate correctly.

- 13.1 Open the back cover of the Remote.
- 13.2 Press the Reset button for 3 seconds and reset the coding, see Diagram 19.

19

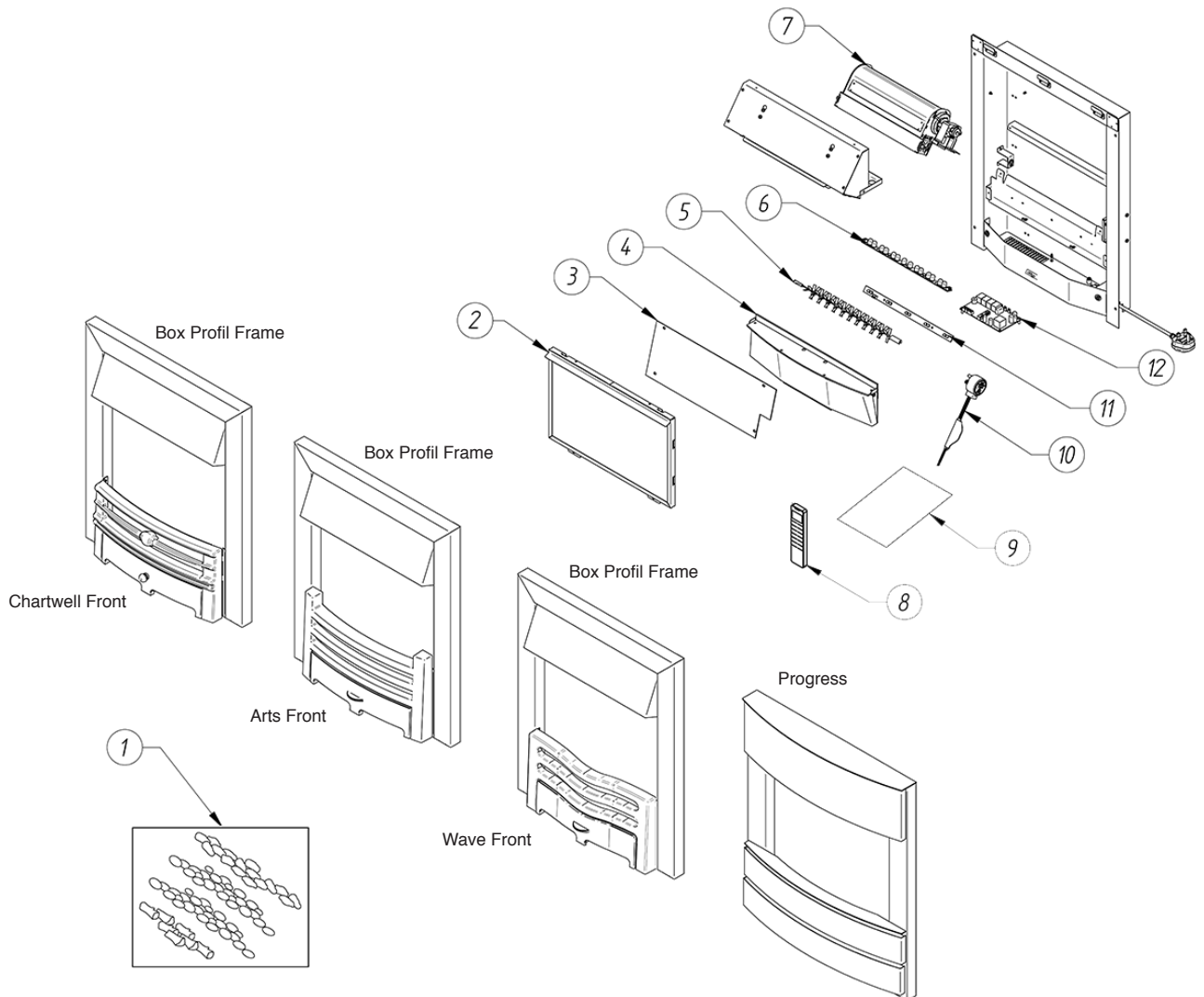


Wiring Diagram



Spare Parts List

Spares Parts List



Item Number	Component Number	Title	Quantity
1	PL0190	Fuel Effect Kit	1
2	GZ13737	Front Screen Assembly	1
3	PL0192	Flame Effect Screen	1
4	GZ13738	Fuel Effect Bed Assembly	1
5	GZ13739	Flame Effect	1
6	EL0658	Flame Effect LED Board	1
7	EL0659	Heater & Fan Assembly	1
8	EL0679	Remote Handset D	1
9	PR2464	Instruction Manual	1
10	EL0661	Flame Picture Motor	1
11	EL0662	Fuel Effect LED Board	1
12	EL0730	PCB	1



Due to continual technical improvements please check online or with your Gazco retailer for the most up to date parts lists.

Only use Genuine Gazco spares when servicing your appliance.

All of our essential spare parts and consumable items are available to purchase from our webshop at www.gazcospares.com.

Information Requirement - Electric Heaters

Information Requirement for Electric Local Space Heaters

Model		Electric Logic2
Heat Output	Nominal Heat Output - P_{nom}	2.0kW
	Minimum Heat Output - P_{min}	1.0kW
	Maximum Continuous Heat Output - $P_{max, c}$	2.0kW

Auxiliary Electricity Consumption	At Nominal Heat Output - eI_{max}	12.5W
	At Minimum Heat Output - eI_{min}	12.0W
	In Standby Mode - eI_{sb}	0.49W

Type of heat input, for electric storage local space heaters only

Manual heat charge control, with integrated thermostat	No
Manual heat charge control with room and/or outdoor temperature feedback	No
Electronic heat charge control with room and/or outdoor temperature feedback	No
Fan assisted heat output	No

Type of heat output/room temperature control

Single stage heat output and no room temperature control	No
Two or more manual stages, no room temperature control	No
With mechanic thermostat room temperature control	No
With electronic room temperature control	No
Electronic room temperature control plus day timer	No
Electronic room temperature control plus week timer	Yes

Other control options (multiple selections possible)

Room temperature control, with presence detection	No
Room temperature control, with open window detection	Yes
With distance control option	No
With adaptive start control	Yes
With working time limitation	No
With black bulb sensor	No

Contact:	Gazco Ltd, Osprey Road, Sowton Industrial estate, Exeter, EX2 7JG
-----------------	---



Registration No WEE/DH1656ZW
 In accordance with European Directive 2012/19/ EU, waste electrical and electronic equipment (WEEE) must not be disposed of with household waste.

At the end of its useful life please take this product to an appropriate recycling centre or collection point. You can find your nearest recycling centre by using the bank locator at www.recycle-more.co.uk for UK customers, www.weeireland.ie for customers in the Republic of Ireland, or by contacting your local authority.

Gazco Limited, Osprey Road, Sowton Industrial Estate, Exeter, Devon, England EX2 7JG
Technical Customer Services (01392) 261950 Fax: (01392) 261951
E-mail: technicalservices@gazco.com

A member of the Stovax Group
E & O E