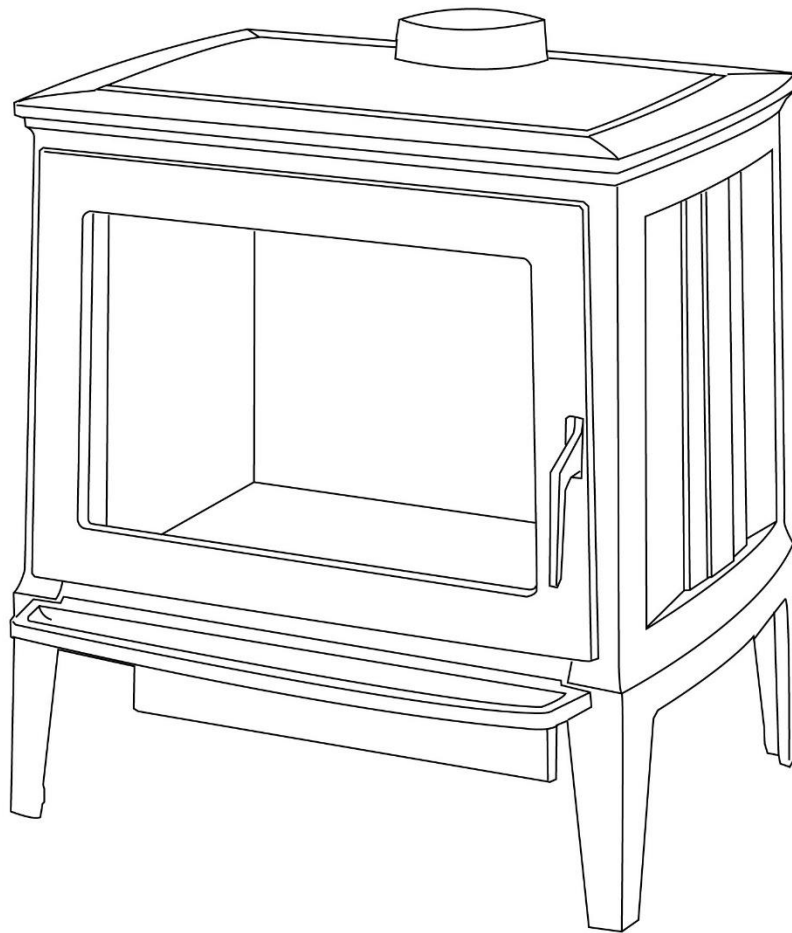


hergom

E-30



INSTALLATION, USE AND MAINTENANCE INSTRUCTIONS.

WELCOME to the HERGÓM family.

We would like to thank you for choosing our E-30 Stove, which represents, in technique and style, a significant improvement on typical wood stoves.

Your new Stove is, perhaps, the most advanced solid fuel heating system known today. Owning a HERGOM Stove displays an exceptional sense of quality.

Please read this manual in full. Its purpose is to familiarise users with the device by explaining extremely useful installation, operational and maintenance instructions. Keep this manual at hand for future reference whenever necessary.

If, after reading this manual, you should require any further clarification, please consult your nearest dealer.

INDUSTRIAS HERGÓM, S.A. may not be held liable for any damages caused by alterations in its products that have not been authorised in writing, or for defective installation work.

Furthermore, it reserves the right to change its products without prior warning.

Industrias Hergóm, S.A. domiciled in Soto de la Marina (Cantabria) - Spain, offers a TWO YEAR warranty on its products.

The geographical coverage of the said warranty only includes the countries in which Industrias Hergom, SA, a subsidiary company or an official importer distribute its products and where Community Directive 1999/44/CE is in force.

The warranty comes into force on the purchase date of the product as indicated on the warranty document and only covers damage or breakages due to manufacturing defects.

IMPORTANT NOTE

If the device is not installed correctly, it will not provide the excellent service for which it has been designed. Please, read these instructions in full and trust the work to a specialist.

The surface of your device is protected by a coat of special anti-heat paint that resists high temperatures. When lighting the fireplace for the first few times, the said paint may emit some fumes. This is normal and is due to the evaporation of certain components of the paint while it adapts to the heat. We, therefore, recommend ventilating the room until this phenomenon ceases to appear.

HEALTH AND SAFETY PRECAUTIONS

INFORMATION FOR THE USER, INSTALLER AND SERVICE ENGINEER

Special care must be taken when installing a stove such that the requirements of the Health & Safety at Work Act are met.

Handling

Adequate facilities must be available for loading, unloading and site handling.

Fire Cement

Some types of fire cement are caustic and should not be allowed to come into contact with the skin. In case of contact wash immediately with plenty of water.

PREPARATORY WORK AND SAFETY CHECKS

IMPORTANT WARNING

This stove must not be installed into a chimney that serves any other heating appliance. There must not be an extractor fan fitted in the same room as the stove because this can cause the stove to emit fumes into the room.

Asbestos: This stove contains no asbestos. If there is a possibility of disturbing any asbestos in the course of installation then please seek specialist guidance and use appropriate protective equipment.

Metal Parts: When installing or servicing this stove care should be taken to avoid the possibility of personal injury.

CO Alarms:-

Building regulations require that whenever a new or replacement fixed solid fuel or wood/biomass appliance is installed in a dwelling a carbon monoxide alarm must be fitted in the same room as the appliance. Further guidance on the installation of the carbon monoxide alarm is available in BS EN 50292:2002 and from the alarm manufacturer's instructions.

Provision of an alarm must not be considered a substitute for either installing the appliance correctly or ensuring regular servicing and maintenance of the appliance and chimney system.

Stove paint Aerosols

Paint aerosols are flammable and therefore dangerous to use around a lit stove. Be sure to allow aerosol spray paints to dry and ventilate the room well before lighting the stove. The use of any aerosol around a lit stove is dangerous and care must be taken in handling aerosols.

Fireguards: The use of a fireguard to BS 8423:2002 in the presence of children, aged and/or infirm persons is essential for their safety, even when the stove is not in use. The glass on the stove is ceramic glass and able to withstand very high temperatures however it is not toughened and a hard impact could cause the glass to break.

IMPORTANT:

These instructions cover the basic principles to ensure the satisfactory installation of the *HERGÓM* Stove product :- E30 models, although detail may need slight modification to suit particular local site.

In all cases the installation must comply with current Building Regulations, Local Authority Bylaws and other specifications or regulations as they affect the installation of the stove. It should be noted that the Building Regulations requirements may be met by adopting the relevant recommendations given in British Standards BS 8303, BS EN 15287 as an alternative means to achieve an equivalent level of performance to that obtained following the guidance given in Approved Document J.

1 - INTRODUCTION

IMPORTANT! All local regulations, including those that refer to national or European regulations, must be applied when installing this device.

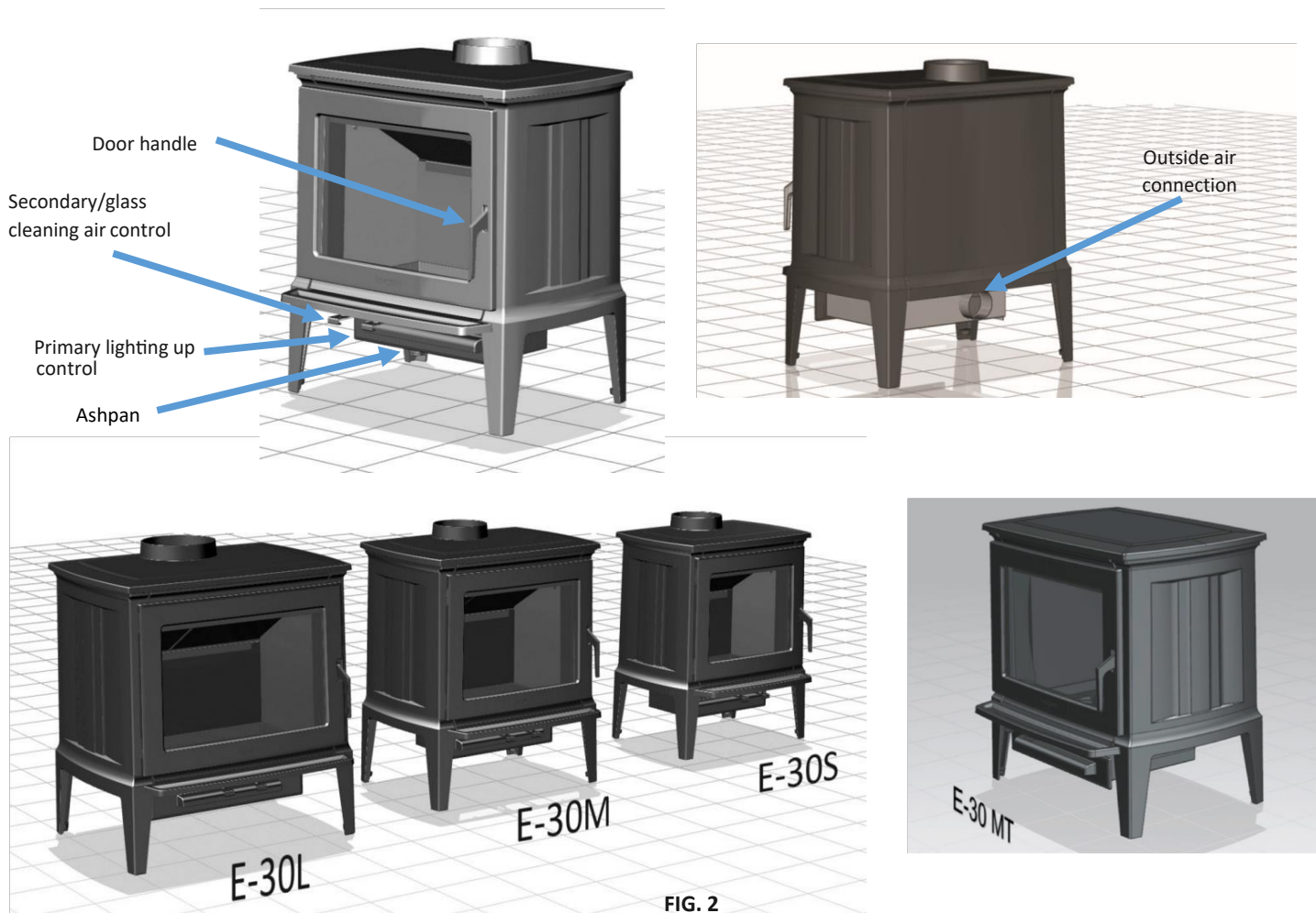
The way the E-30 Stove is installed will decisively affect safety issues and its correct operation. It is important to install the fireplace correctly. For the correct installation of the E-30 Stove and chimney, we recommend the installation be performed by a professional. The E-30 Stove provides heat by radiation; directly heating walls, ceilings...

2 - PRESENTATION

E-30 wood stoves have the following main features:

- Made in 3 sizes: L, M and S, to meet each users' heating requirements.

- Made of cast iron, with parts that are assembled, sealed and screwed together.
- Cast iron or Vermiculite lined. (By model)
- They are designed for use with firewood only.
- They can burn pieces of wood up to 40, 50 or 60 cm. in length, depending on the model. See the table on page 12
- Lighting up valve
- Primary air adjustment valve.
- Self-cleaning glass.
- Hinged front door opening 180° with ceramic glass pane.
- Ash pan with cover
- Optional outside air connection located on the back of the ash pan.
- Vertical top smoke flue
- In model E-30 M also horizontal outlet through the back (MT model)
- Fully factory assembled, ready for connection to the chimney.



3 - USING THE STOVE

Once your stove has been installed and connected to the chimney, you are ready to light the fire.

Although your stove is easy to use, the combustion process of solid fuels is complicated, as it involves several factors and it takes time and experience to understand the process.

Before lighting your stove for the first time, please take time to become familiar with the different control systems and parts of the unit, how to choose the wood, how to light it and use it on a daily basis.

ALWAYS KEEP IN MIND that the stove generates heat and, therefore, keep children, clothing, furniture... at a distance to prevent burns from direct contact with the appliance.

Below, we have included some advice on your stove and on its use. Please read with care.

Door handle

To open the door, turn the handle upward to the open position, and gently pull.

The door can open up to 180°

To close, turn the knob to the open position, close the door, press slightly and turn the handle gently down to the closed position (Fig. 3).

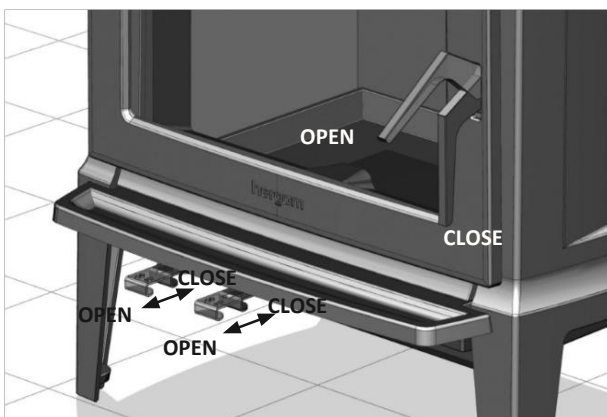


FIG. 3

Lighting up valve

Fully open the valve when lighting the stove (Fig. 3)

Adjustment - Glass Cleaning Valve

Fully open the glass pane cleaning air valve when lighting the stove.

Once an ideal combustion rate has been achieved, adjust the valve to prevent excessive air intake, which will cause excessive combustion levels and temperatures.

The intermediate position is usually the ideal adjustment, depending on the quality of the draw of the chimney installed and on the type of fuel being used (hard or soft wood) (Fig. 3).

Ash pan

Very important!

Only handle the ash pan when the stove is cold.

Always avoid opening the ash-pan if your stove is in operation.

To clean the ash, lift the blind grill located at the bottom of the stove.

Use a tool (brush) to sweep the ash into the ash-pan.

The ash-pan is removed from under the stove tray (Fig. 4).

To remove the ash-pan from its position, pull the handle gently to release it. Once you have emptied the ashes, return the ash pan to the ash drawer, pushing it into place to create a seal.

Do not forget to replace the cover in the bottom of the fire box.

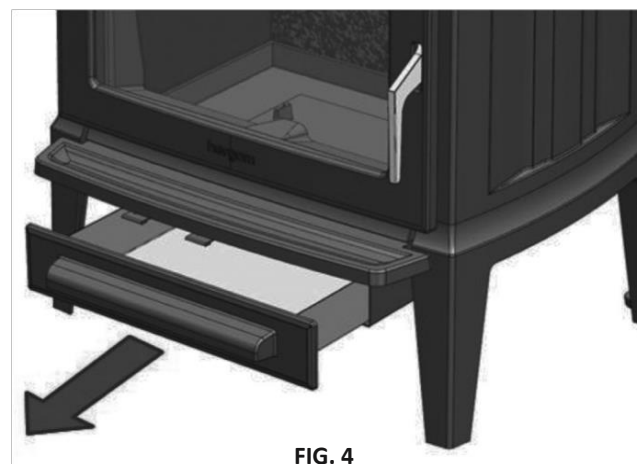
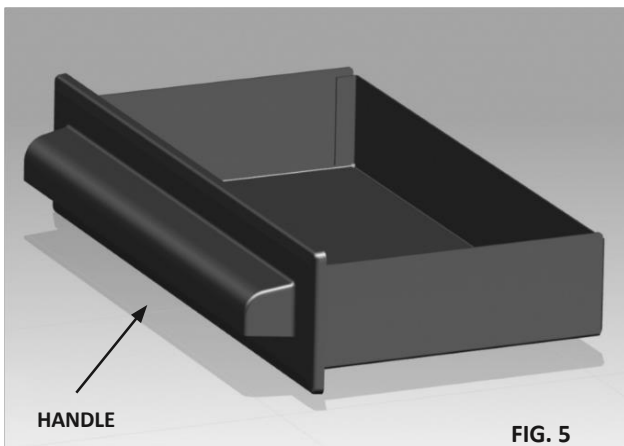


FIG. 4



4 - LIGHTING UP AND USE

Important at first start: A few drops of condensed water may come from the stove, produced by the humidity of the environment where the stove was stored.

It is very important that the first time the heater is lit, it is done so slowly.

This is for the following reasons:

- Stabilise cast iron parts.
- Harden the joint sealant putty.

Advise:

- We recommend that the first loads of fuel be small.
- To generate draw, heat the chimney by introducing some burning paper in the gap between the front and the deflector, directing it toward the chimney.
- While lighting for the first time, ensure the room where the heater is located is well ventilated as the paint work may let off some fumes.
- Keep the stove on for a few hours at this intensity.
- **IMPORTANT! The total height of the fire load should not exceed 50% of the height of the combustion chamber.**
- **The heater must be closed at all times during combustion to prevent smoke from leaking out. Only open to add fuel.**

Daily use

After lighting up for the first time, your heater will be ready for daily use.

Your heat requirements will be obtained based on the frequency and the amount of firewood you load.

When your heater is cold, we recommend lighting it up slowly.

Overheating.

Overheating means that you have operated your heater at an excessively high temperature for a long period of time. This can damage your appliance and, therefore, it is a situation that must be avoided.

Overheating is the result of excessive draw, due to any of the following reasons:

- The Primary Air Valve is excessively open for the type of wood being used.
- The chimney is too big.
- Improper maintenance of the stove, which may result in air infiltration.
- Inappropriate fuel that produces high temperatures.
- Door not closed correctly. **ATTENTION!**

During the operation of the stove, the ash pan cover must be correctly positioned to seal the fire box.

Any uncontrolled intake of air produces overheating that can damage the stove.

STOVES WITH ENAMEL IN MAJOLICA VERY IMPORTANT!

In the case of stoves enamelled in Majolica, it is normal for slight fissures to appear in the glazing, providing the product with its characteristic appearance, once the heater is lit.

However, in the event of uncontrolled overheating, these fissures caused by the different expansion levels of the cast iron and the Majolica enamel with vitreous components, can cause the enamel to chip.

To avoid this inconvenience, control combustion and never overheat the heater.

INDUSTRIAS HERGÓM S.A. may not be held liable for the deterioration of the stove's enamel if these instructions are not followed.

5 - CLEANING & MAINTENANCE

Your heater is a device that is subjected to extreme temperatures and to the corrosive effects of combustion residual materials. Regular maintenance is essential for a longer life and improved user experience. We recommend performing the following inspections frequently.

DURING THE SEASON

- Perform a visual inspection of the chimney. Clean soot and tar if they have begun to accumulate on the inner walls of the heater.
- Check whether the doors close tightly; adjust if necessary.

AT THE END OF THE SEASON

- Inspect and clean the chimney.
- Use the vacuum cleaner to clean inside the heater and inspect it.
- Any soot and tar (creosote) that has accumulated on the walls of the heater will hinder performance.
- Inspect door seals. These should be replaced when they no longer seal the door perfectly.
- In the case of painted heaters, paint the cast iron parts again if necessary

CLEANING

Cleaning should always be performed when the heater is cold.

Cleaning ash.

These heaters are equipped with an ash pan located at the bottom of the heater.

Remove the ash pan and remove the ash.

Ash should be emptied into a metal container and immediately removed from the house.

If necessary clean the ash pan housing.

Enamelled parts.

Preferably use a damp cloth.

Do not use strong or abrasives detergents that might damage the surface.

Painted parts

Clean with a dry lint free cloth to avoid rust.

Chimney and connecting unit

Read the chapter in the Manual for Installers that refers to this topic.

DOOR PANES

Cleaning

Fireplace window cleaning liquids are quite effective products.

Never try to clean the glass while the fireplace is working.

We recommend using HERGOM window cleaning products for their proven efficacy.

If the glass pane on the fireplace door is constantly covered in soot, this means your fire is “poor” and that the connecting pipe and chimney are being blocked by soot and creosote.

Replacing.

The glass panes in your heater have been especially manufactured for log stoves.

If they should break, they must be replaced by another glass pane with the same technical specifications. Contact our Distributor to provide you with the appropriate glass pane, together with instructions to assemble and seal.

MAINTENANCE PRODUCTS

Industrias HERGÓM, S.A. places a range of products for the preservation of your heater and chimney at your disposal: heat resistant paint, refractory putty, anti-soot products, fire-lighters, glass cleaning products.

6 - SAFETY

WARNING!

Wood burning stoves get hot when in use.

Consequently, owners must act with precaution and keep at a distance. Especially keep children, the elderly and other people who require special supervision, as well as pets, away from the fireplace when it is in use.

Make sure that children or other people who are not familiar with how the device works are supervised by responsible people when they are near the fireplace.

In order to prevent burns or children or other people from coming near the appliance, use a fire guard or screen.

A number of possible risks are present when operating your solid fuel stove with fuel of any

brand. The said risks can be minimised if the instructions and recommendations included in this manual are followed.

- When installing the stove, observe the necessary safety distances for the stove and chimney from combustible surfaces (wooden or papered walls, wooden floors...). Safety distances must be respected when the lining on walls or nearby areas may be damaged or deformed by temperature (varnish, paint, PVC...). Fig. 6
- The base where you are going to install your heater must be flat and provide a perfect seat. The said base must also be capable of supporting the weight of the heater. The base must be built using heat resistant materials.
- All the area around the heater should must be heat resistant. If not, they must be protected by fire-proof material.
- Ash should be emptied into a metal container and immediately removed from the house.
- Do not use flammable liquids to light the stove. Keep any type of flammable liquid (petrol, gasoline, alcohol,....) at a distance from the fireplace.
- Never use coal or fuels that are not recommended for the operation of this product.
- Periodically inspect the chimney and clean whenever necessary. Also inspect the state of joints, glass, screws...
- **Protect your hands with a glove or other insulating material because, during operation, the opening and closing handle will be hot.**

OUTSIDE AIR CONNECTION

- When installing the stove using the outside air connection, we recommend that the installation is performed by qualified personnel.
- Always keep in mind that air is entering the stove through the connector. This air inlet can never be blocked. Ensure that the pipe connecting the stove to the outside cannot be crushed and that the entrance to the pipe

cannot be blocked on the outside. It is necessary to cover the inlet with a protective grill.

- The location of the outside air inlet of air must be protected from the wind to avoid a possible positive or negative pressure from affecting the combustion of the stove.
- Refer to the technical specifications at the end of this manual for the minimum diameter and the maximum length of the pipe to be connected.

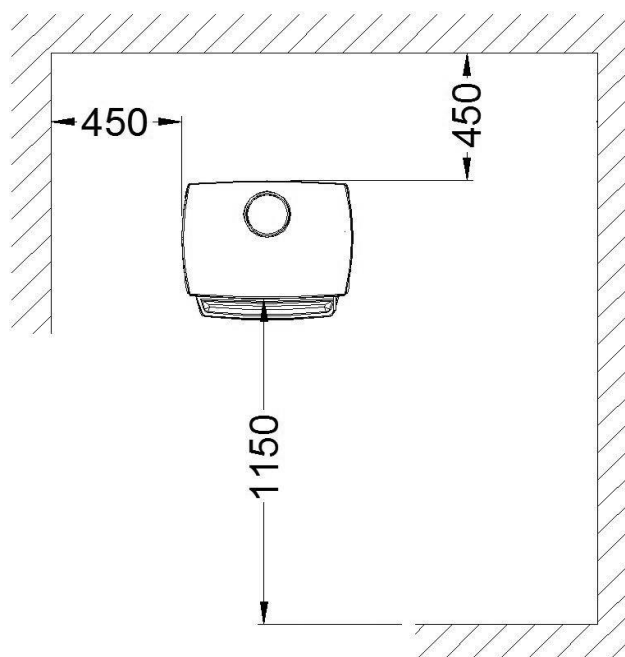
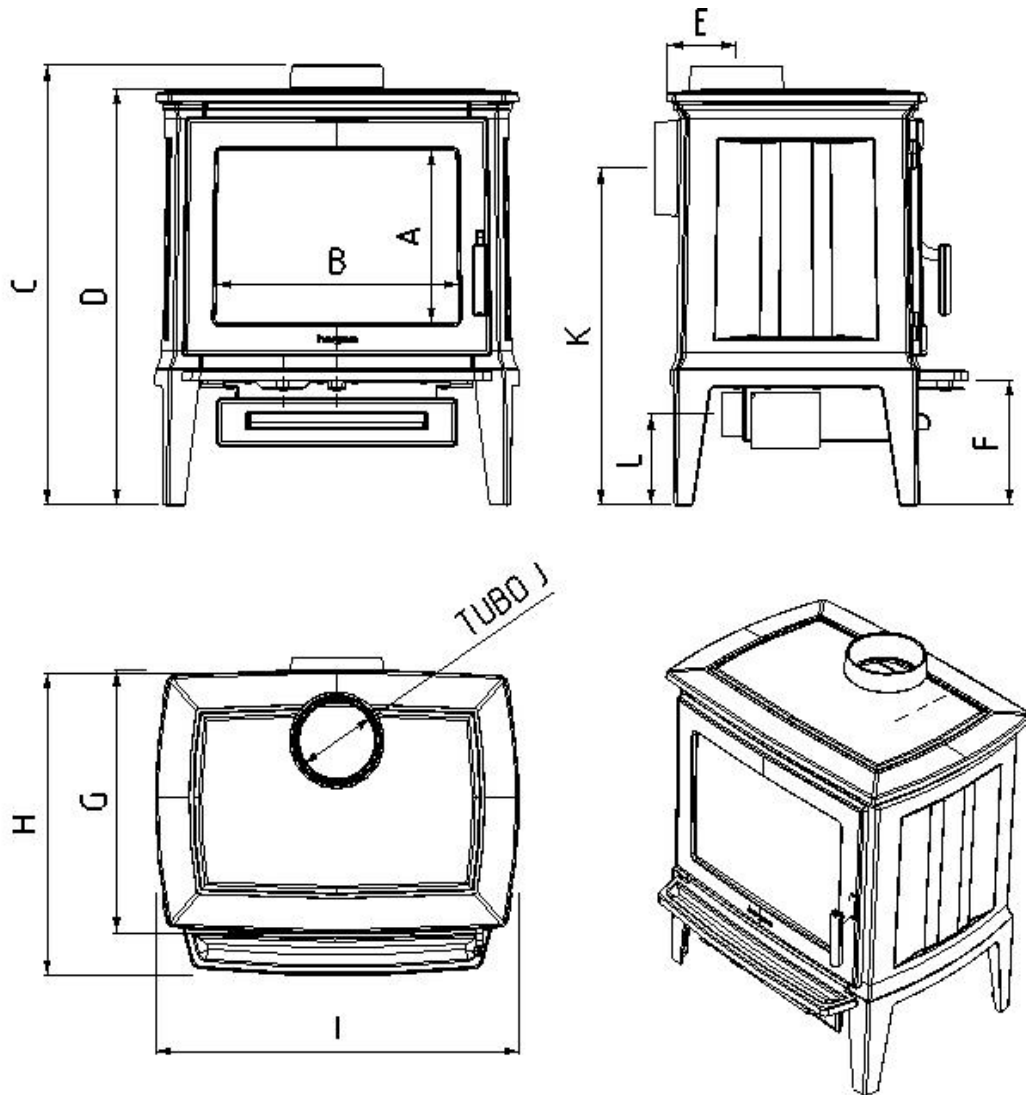


FIG. 6 - SAFETY DISTANCES

7 - DIMENSIONS



mm	E-30 S	E-30 M	MT	E-30 L
A	280	310	310	325
B	380	440	440	520
C	740	785	785	810
D	700	740	740	770
E	120	120	-	140
F	210	225	225	225
G	420	470	470	540
H	490	545	545	615
I	590	660	660	750
J	150	150	150	200
K	-	-	605	-
L	150	162	162	162

8 - TECH SPEC.

	E-30 S	E-30 M	E-30 L
Maximum power (kW)	7	9	11
Average smoke temperature (°C)	288	281	288
Average temperature at flue ring (°C)	300	340	375
Mass flow rate of smoke (gr/sec)	6,9	8,6	10,4
CO emissions (13% O2 Vol%)	0,1	0,1	0,1
Efficiency (%)	79,1	79,2	79,3
Accepts logs of the following length (mm)	400	500	600
Smoke collar (Ø mm)	150	150	200
Metal chimney (Ø mm)	150	150	200
Recommended chimney height (m)	5-6	5-6	5-6
Masonry chimney, min approx. (mm)	200x200	200x200	250x250
Recommended draw (Pa)	12	12	12
Smoke outlet	Vertical	Vertical	Vertical
Weight (Kg)	110	150	190
Outside air inlet (Ø mm)	80	80	80
Minimum diameter of the outside air inlet pipe (Ø mm)	80	80	80
Maximum length of the outside air inlet pipe from outside (m)	> 8m.		

In the case of other dimensions consult your Dealer or the Manufacturer (Approximate Values)

Stove approved based on the specifications provided in UNE-EN 13240:2002 "Room heaters fired by solid fuel - Requirements and test methods", as amended by UNE-EN 13240/AC and UNE-EN 13240:2002/A2.

ATTENTION! Your heater should not be used as an incinerator and no other types of fuel should be used (plastic, chipboard...). Use recommended materials only.

Do not use drift wood washed ashore from the sea as fuel.

The salt contained in it will react in the combustion process and release acid that will damage the iron and steel.

Do not burn, Coal, Smokeless coal, Brown Coal, liquid fuels, finished wood, sawn wood, pallet wood, chipboard/plywood, varnished wood or plastic coated wood, wood treated with preservatives, or any house hold waste.

BURNING WOOD IN A SMOKE CONTROL AREA

You must purchase a smoke control version of the Hergom stove which is modified slightly to comply with regulations. Any change to this modification will invalidate the stoves compliance for smoke control areas.

The Clean Air Act 1993 and Smoke Control Areas

Under the Clean Air Act local authorities may declare the whole or part of the district of the authority to be a smoke control area. It is an offence to emit smoke from a chimney of a building, from a furnace or from any fixed boiler if located in a designated smoke control area. It is also an offence to acquire an "unauthorised fuel" for use within a smoke control area unless it is used in an "exempt" appliance ("exempted" from the controls which generally apply in the smoke control area).

In England appliances are exempted by publication on a list by the Secretary of State in accordance with changes made to sections 20 and 21 of the Clean Air Act 1993 by section 15 of the Deregulation Act 2015. In Scotland appliances are exempted by publication on a list by Scottish Ministers under section 50 of the Regulatory Reform (Scotland) Act 2014. Similarly, In Northern Ireland appliances are exempted by publication on a list by the Department of Agriculture, Environment and Rural Affairs under Section 16 of the Environmental Better regulation Act (Northern Ireland) 2016. In Wales appliances are exempted by regulations made by Welsh Ministers.

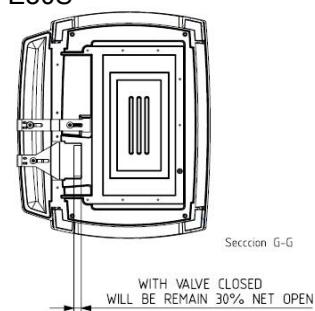
Further information on the requirements of the Clean Air Act can be found here: <https://www.gov.uk/smoke-control-area-rules>. Your local authority is responsible for implementing the Clean Air Act 1993 including designation and supervision of smoke control areas and you can contact them for details of Clean Air Act requirements.

The Hergom E30 S stove has been recommended as suitable for use in smoke control areas when burning wood logs. The appliance must be fitted with a permanent stop to prevent closure of the secondary air control beyond 30% open.

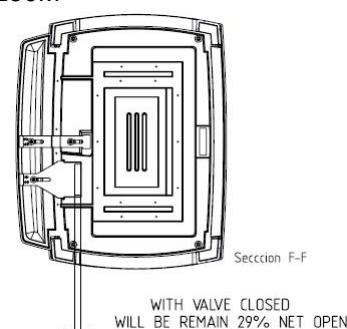
The Hergom E30 M stove has been recommended as suitable for use in smoke control areas when burning wood logs. The appliance must be fitted with a permanent stop to prevent closure of the secondary air control beyond 29% open.

Hergom smoke control stoves should not be burnt with the door left open.

E30S



E30M



The refuelling procedure : -

Allow the newly charged fuel to burn with the secondary air control set at maximum for up to 3 to 4 minutes. After this period, with flames from the logs fully established, close the secondary air supply to the low output setting. When operating at high output (secondary air set fully open) the new refuel charge does not require any boost air to establish combustion.

Refuelling on to a low fire bed

If there is insufficient burning material in the fire bed to light a new fuel charge, excessive smoke emission can occur. Refuelling must be carried out onto a sufficient quantity of glowing embers and ash that the new fuel charge will ignite in a reasonable period. If there are too few embers in the fire bed, add suitable kindling to prevent excessive smoke.

Fuel Overloading

The maximum amount of fuel specified in this manual should not be exceeded, overloading can cause excess smoke.

Air controls & doors left open

Operation with the air controls fully open can cause excess smoke. The appliance must not be operated with air controls, or door left open except as directed in the instructions.

SE- smoke exemption modification

Smoke exempt models are altered by limiting the closure of the secondary air:

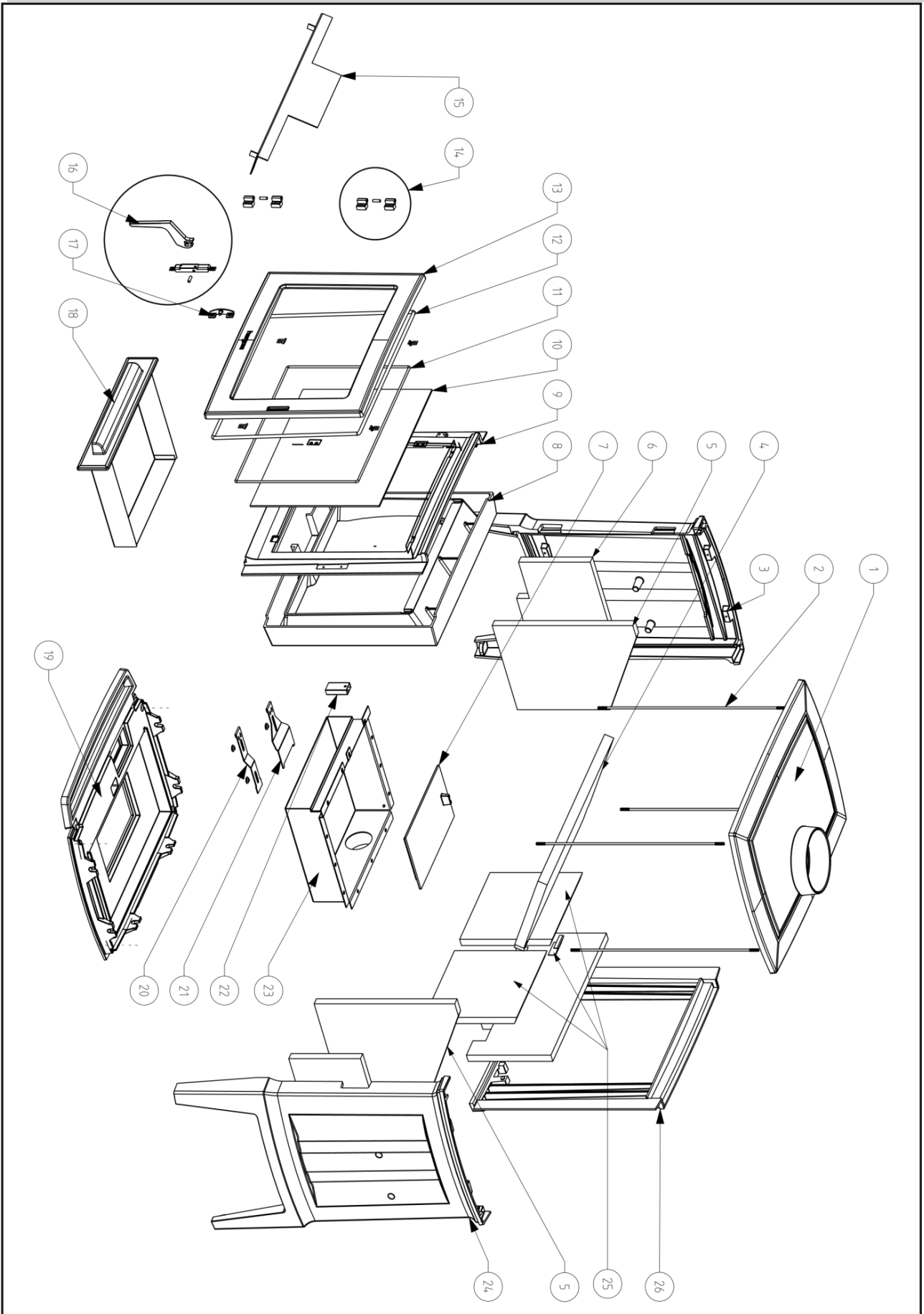
- E30S has the secondary air restricted to a minimum of 30% open
- E30M has the secondary air restricted to a minimum of 29% open
- E40 has the secondary air restricted to a minimum of 29% open

Recommended Log Size and Moisture Content

Model	Log Size (cm)	Moisture %
E30 S	40 x 10 x 12	< 20%
E30 M	50 x 10 x 12	< 20%
E30 L	60 x 10 x 12	< 20%

MOD. VERMICULITA-VERMICULITE

9 - DESPIECE - ESPLOSO - EXPLODED VIEW - EXPLOSÉ - EXPLODIDO

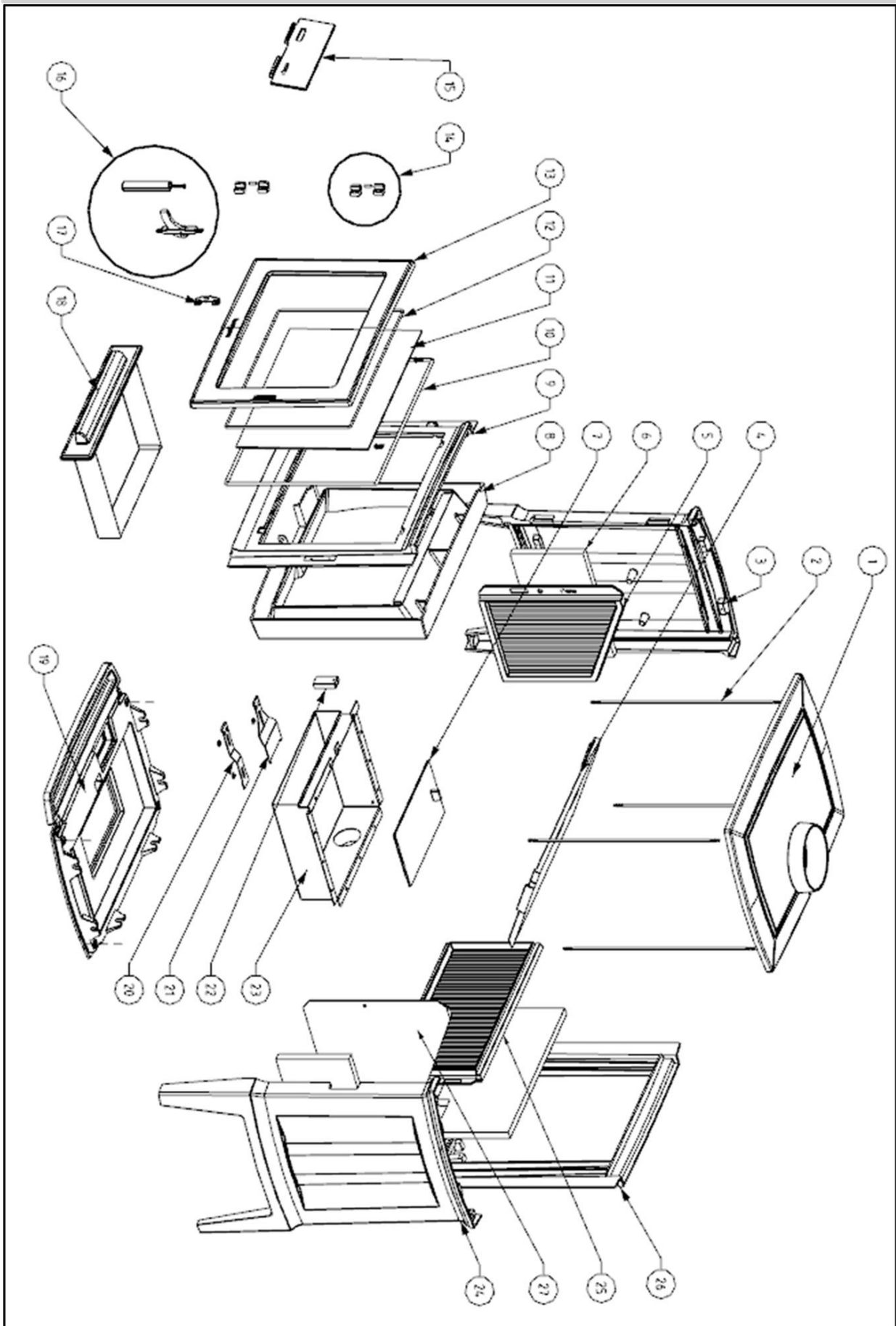


MOD. VERMICULITA-VERMICULITE**10 - PIEZAS DE REPUESTO - RICAMBI - SPARE PARTS - RECHANGES - SOBRESSALENTES**

N°	CÓDIGO				NOMBRE
	E30 S VERMICULITA	E30 M VERMICULITA	E30 MT VERMICULITA	E30 L VERMICULITA	
1	9920164	9920165	9920489	9920166	ENCIMERA
2	9920167	9920168	9920168	9920169	VARILLA AMARRE ESTUFA
3	9920170	9920171	9920171	9920172	COSTADO IZQUIERDO
4	9920176	9920177	9920177	9920178	PLACA DEFLECTOR VERMICULITA
5	9920214	9920215	9920215	9920216	COSTADO INTERIOR
6	9920179	9920180	9920180	9920181	CONJUNTO FIBRA DE VIDRIO
7	9920182	9920182	9920182	9920182	PARRILLA
8	9920183	9920184	9920184	9920185	COLECTOR PRIMARIO
9	9920186	9920187	9920187	9920188	FRENTE
10	9920189	9920190	9920190	9920191	CONJUNTO CRISTAL
11	9920192	9920192	9920192	9920192	TRENZA FIBRA CERAMICA 1/4" (3 m)
12	9920193	9920193	9920193	9920193	TRENZA FIBRA CERAMICA 3/8" (3 m)
13	9920194	9920195	9920195	9920196	CONJUNTO PUERTA HOGAR
14	9920197	9920197	9920197	9920197	CONJUNTO BISAGRA PUERTA HOGAR
15	9920198	9920199	9920199	9920200	ANGULAR REFUERZO DEFLECTOR
16	9920201	9920201	9920201	9920201	CONJ. MANDO CIERRE PUERTA HOGAR
17	9920057	9920057	9920057	9920057	EJE CIERRE PUERTA HOGAR
18	9920447	9920445	9920445	9920448	CONJUNTO CENICERO
19	9920203	9920204	9920204	9920205	FONDO
20	9920206	9920206	9920206	9920206	MANDO VALVULA ENCENDIDO
21	9920207	9920207	9920207	9920207	MANDO VALVULA CRISTAL
22	9920208	9920208	9920208	9920208	TUBO VALVULA ENCENDIDO
23	9920446	9920446	9920446	9920446	CUERPO CAJON PARA CENICERO
24	9920211	9920212	9920212	9920213	COSTADO DERECHO
25	9920220	9920221	9920221	9920222	TRASERA INTERIOR
26	9920223	9920224	9920490	9920225	TRASERA

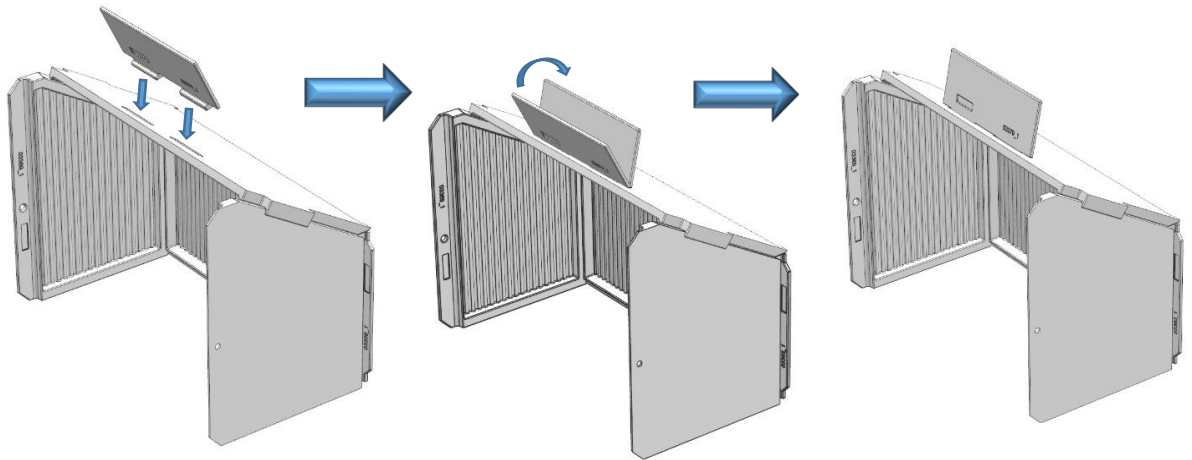
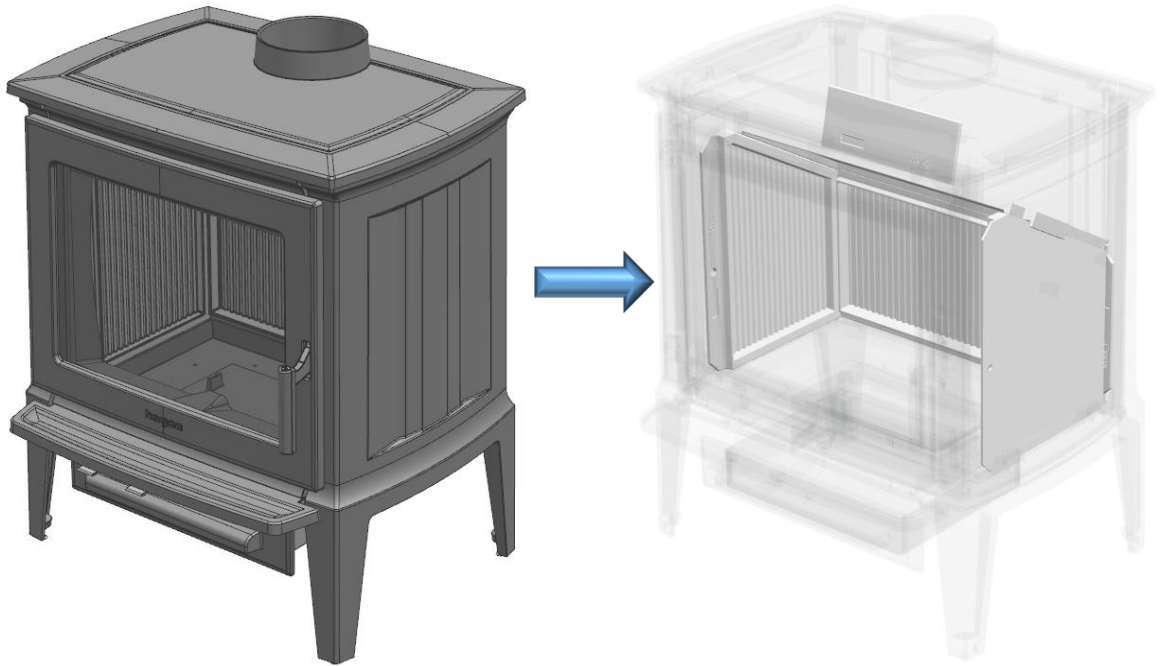
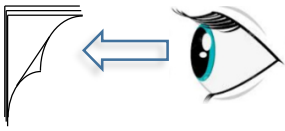
MOD. HIERRO FUNDIDO-GUISA-CAST IRON-FONTE-FERRO

9 - DESPIECE - ESPLOSO - EXPLODED VIEW - EXPLOSÉ - EXPLODIDO



MOD. HIERRO FUNDIDO-GHISA-CAST IRON-FONTE-FERRO**10 - PIEZAS DE REPUESTO - RICAMBI - SPARE PARTS - RECHANGES – SOBRESSALENTES**

N°	CÓDIGO				NOMBRE
	E30 S HF	E30 M HF	E30 MT HF	E30 L HF	
1	9920164	9920165	9920489	9920166	ENCIMERA
2	9920167	9920168	9920168	9920169	VARILLA AMARRE ESTUFA
3	9920170	9920171	9920171	9920172	COSTADO IZQUIERDO
4	9920680	9920681	9920681	9920682	PLACA DEFLECTOR HIERRO FUNDIDO
5	9920674	9920655	9920655	9920675	COSTADO INTERIOR IZDO
6	9920179	9920180	9920180	9920181	CONJUNTO FIBRA DE VIDRIO
7	9920182	9920182	9920182	9920182	PARRILLA
8	9920183	9920184	9920184	9920185	COLECTOR PRIMARIO
9	9920186	9920187	9920187	9920188	FRENTE
10	9920189	9920190	9920190	9920191	CONJUNTO CRISTAL
11	9920192	9920192	9920192	9920192	TRENZA FIBRA CERAMICA 1/4" (3 m)
12	9920193	9920193	9920193	9920193	TRENZA FIBRA CERAMICA 3/8" (3 m)
13	9920194	9920195	9920195	9920196	CONJUNTO PUERTA HOGAR
14	9920197	9920197	9920197	9920197	CONJUNTO BISAGRA PUERTA HOGAR
15	9920198	9920199	9920199	9920200	ANGULAR REFUERZO DEFLECTOR
15	9920683	9920683	9920683	9920683	SUFRIDERA DEFLECTOR
16	9920656	9920656	9920656	9920656	CONJ. MANDO CIERRE PUERTA HOGAR
17	9920057	9920057	9920057	9920057	EJE CIERRE PUERTA HOGAR
18	9920447	9920445	9920445	9920448	CONJUNTO CENICERO
19	9920203	9920204	9920204	9920205	FONDO
20	9920206	9920206	9920206	9920206	MANDO VALVULA ENCENDIDO
21	9920207	9920207	9920207	9920207	MANDO VALVULA CRISTAL
22	9920208	9920208	9920208	9920208	TUBO VALVULA ENCENDIDO
23	9920446	9920446	9920446	9920446	CUERPO CAJON PARA CENICERO
24	9920211	9920212	9920212	9920213	COSTADO DERECHO
25	9920678	9920657	9920657	9920679	TRASERA INTERIOR
26	9920223	9920224	9920490	9920225	TRASERA
27	9920676	9920658	9920658	9920677	COSTADO INTERIOR DCHO



Due to the structural similarity of the three stoves sizes, please find enclosed the list of spare parts for both, based on the exploded view of the E-30 M, displayed on the previous pages. **We recommend using spare parts recommended by the manufacturer.**

INDUSTRIAS HERGÓM, S.A., rejects any liability derived from a faulty installation or incorrect use and reserves the right to alter its products without prior warning.

Any liability due to manufacturing defects will be subject to the criteria and verification of the company's experts and will be limited to the repair or replacement of its products, excluding any construction work or damage the said repairs may cause.

Modelo / Model / Modèle / Modello		hergom 		
ESTUFAS E30, E40 y E41		MODELOS S, SHF, M, MHF, MT, MTHF, L, LHF		16
Cert N° S/M/L	RRF-40-16-4261-1 RRF-40-16-4262-1 RRF-40-16-4263-1 RRF-40 16 4357	Org. Not. N°	1625	Norm.: EN 13240
Leña / wood / bois / legno / madeira				
Potencia cedida al ambiente (útil) / Power transmitted to the atmosphere (useful) / Puissance cédée à l'atmosphère (utile) / Potenza ceduta all'ambiente (utile) / Potência cedida ao ambiente (útil)	7 kW MOD. S 7 kW MOD. M y MT 11,6 kW MOD. L	Concentración de CO medio al 13% O2 / Average CO concentration at 13% O2 / Concentration de CO moyen à 13% O2 / Concentrazione media di CO al 13% O2 / Concentração de CO médio a 13% O2	0,1 MOD.S 0,1 MOD.M y MT 0,1 MOD.L	
Rendimiento / Performance / Rendement / Resa / Rendimento	79,1 % MOD.S 79,2 % MOD.M y MT 79,3 % MOD.L	Temperatura de los gases medio / Average gas temperature / Température des gaz moyenne / Temperatura media dei gas / Temperatura média dos gases	288 °C MOD.S 281 °C MOD.M y MT 274 °C MOD.L	
Fabricación / Production / Produzione / Produção N° :				
<p>Distancia de seguridad mínima con la puerta abierta: A objetos situados a los laterales y trasera 0,45 m. A objetos situados en el frente 1,15 m. Distance from combustible materials: Distance from materials located at the sides and the back 0,45 m., from materials located at the front 1,15 m. Distance des matériaux combustibles proches: Distance des matériaux situés sur les côtés et à l'arrière: 0,45 m, des matériaux situés à l'avant 1,15 m. Distanza da materiali combustibili: Distanza da materiali situato al lato, e posteriore: 0,45 m, da materiali posti sul fronte: 1,15 m. Distância a materiais combustíveis: material colocado nas laterais e traseira 0,45 m, a materiais localizados na parte frontal 1,15 m.</p>				
<p>Lea y siga las instrucciones de funcionamiento. Utilice solo combustibles recomendados. Aparato preparado para funcionamiento intermitente. No utilizar en chimenea compartida. Read and follow the manufacturer's instructions. Use recommended fuels only. Appliance prepared for intermitt operation. Not use shared flue. Lisez et suivez les instructions de fonctionnement. N'utilisez que les combustibles conseillés. Appareil conçu pour un fonctionnement intermittent. Pas l'utilisation partagée de combustion. Leggere seguire le istruzioni per l'uso. Usare solo i combustibili consigliati. Apparecchio progettato per funzionare con il sistema di combustione intermittente. Non utilizzare canna fumaria condivisa. Leia e siga instruções de funcionamento. Utilize somente combustíveis recomendados. Aparelho preparado para funcionamento intermitente. Não uso compartilhado combustão.</p>				
Industrias Hergom S.A. 39110 Soto de la Marina (Cantabria) Tel: 942 587 000 / e-mail: hergom@hergom.com			7000AA111_1 www.hergom.com MADE IN SPAIN	

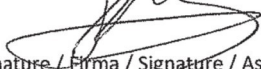
**DECLARACIÓN DE PRESTACIONES / DECLARATION OF PERFORMANCE /
DICHIAZIONE DI PRESTAZIONI/ DÉCLARATION DE PRESTATIONS / PRESTANDEKLARATION**

Nº C03504_5

- Nombre y código de identificación/Name and identification code/Nome e código di identificazione/ Nom et code d'identification/ Namn och identifieringskod:**
Estufa para combustibles sólidos/ Stove for solid fuels/ Stufa per combustibili solidi/ Poêle pour combustibles solides/ Spis för fasta bränslen: **E-30-S/ E-30-M/ E-30-L y : E-30-S-HF/ E-30-M-HF / E-30-L-HF / E-40M /E41M**
- Nombre y dirección del fabricante/Name and address of manufacturer/Nome e indirizzo del produttore/Nom et adresse du fabricant/ Namn och adress till tillverkaren:**
INDUSTRIAS HERGÓM, S.A. C/ Borrancho, s/n; 39080 (Soto de la Marina) Cantabria (España)
- Uso previsto/Intended use/Usò previsto/Utilisation prévue** **Uso previsto:** Según capítulo 1 de la norma EN 13240/ According to chapter 1 standard EN 13240/ In base a quanto previsto nel capitolo 1 dalla norma EN 13240/ Selon le chapitre numéro 1 de la norme EN 13240/ Avsedd användning enligt kapitel 1 standard EN 13240
- Sistema de evaluación y verificación de la constancia de las prestaciones/System of assessment and verification of constancy of performance/Sistema di valutazione e verificazione della veridicità delle prestazioni/Système d'évaluation et vérification de la constance des prestations/ System för bedömning och fortlöpande kontroll av byggprodukternas prestanda:** **3**
- Organismo notificado/Notified Body/Organizzazione notificata/Organisme notifié/Organismo notificado:**
RRF Rhein-Ruhr Feuerstätten Prüfstelle nº 1625
RRF-40 16 4261-1 / RRF-40 16 4262-1/ RRF-40 16 6263-1 / RRF-40 16 4357
- Prestaciones declaradas/Declared performance/Prestazioni dichiarate/Prestations déclarées/ Deklarerad prestanda:**

Características esenciales / Essential characteristics / Caratteristiche essenziali / Caractéristiques essentielles / väsentliga egenskaper	Prestaciones /Performance Prestazioni /Prestations /Prestanda
Potencia Térmica Nominal / Nominal Thermal Power / Potenza termica nominale/ Puissance thermique nominale / Nominell effekt (kW)	7 (E30-S) / 7 (E30-M / E40M / E41M) / 11,6 (E30-L)
Rendimiento/ Efficiency / Rendimento / Rendement/ Verkningsgrad (%)	79,1 (E30-S) / 79,2 (E30-M /E40M / E41M) / 79,3 (E30-L)
Emissiones CO/ CO emissions / Emissioni CO / Émissions CO/Emissioner CO (13% O2 Vol%)	0,1 (E30-S/M/L / E40M / E41M)
Emissiones partículas / Particulate emissions / Emissioni particelle / Emissions particules / Partikel emission (13% O2 mg/Nm3)	22 (E30-S) / 21 (E30-M / E40M / E41M) / 20 (E30-L)
Temperatura de humos / Temperatura dei fumi / Temperature of gases / Température de fumées / Rökastemperatur (°C)	288 (E30-S) / 281 (E30-M / E40M / E41M) / 288 (E30-L)
Distancias de seguridad / Safety distances / Distances de sécurité / Distanze di sicurezza / Säkerhetsavstånd (mm)	

- Las declaraciones del producto identificado en el punto 1 son conformes con las prestaciones declaradas en el punto 6. The performance of the product identified in point 1 is in conformity with the declared performance in point 6. Le dichiarazioni del prodotto identificato al punto 1 sono conformi con le prestazioni dichiarate al punto 6. Les déclarations sur le produit identifié au point 1 sont conformes aux prestations déclarées au point 6. Produktens prestanda som anges i punkt 1 är i överensstämmelse med angivna prestandan i punkt 6
- La presente declaración de prestaciones se emite bajo la única responsabilidad del fabricante indicado en el punto 2. This declaration of performance is issued under the sole responsibility of the manufacturer identified in point 2. La presente dichiarazione di prestazioni si emette sotto la unica responsabilità del produttore indicato al punto 2. La présente déclaration de prestations est émise sous la responsabilité exclusive du fabricant visé au point 2. Denna prestandadeklaration utfärdas på eget ansvar av tillverkaren enligt punkt 2.
- Firmado por y en nombre del fabricante por/Signed for and on behalf of the manufacturer by/Firmato da e per nome del produttore da/Signé par et au nom du fabricant par/ Undertecknat för och på uppdrag av tillverkaren genom:


 Firma / Signature / Firma / Signature / Assinatura
Luis Aguilar Martín
 (Director Gerente/Managing Manager/Direttore Generale /
 Directeur Industries Hergóm, S.A.)

Lugar y fecha de emisión/Place and date of
 issue / Luogo e data di emissione / Lieu et date
 d'émission/Ort och datum

Soto de la Marina, 25-08-2016

hergom

INDUSTRIAS HERGOM S.A
SOTO DE LA MARINA - CANTABRIA
Apdo. de correos 208 SANTANDER
Tel: 0034 942 587 000
E-mail: hergom@hergom.com
www.hergom.com

Distributed in the United Kingdom by:

Eurostove Ltd

Unit H1

Mendip Industrial Estate
Mendip Road, Rooksbridge
Somerset
BS26 2UG



Telephone: 01934 750500

technical@eurostove.co.uk

www.eurostove.co.uk



CODE: H90702-49-00-99-00